

Product Specifications

Refrigerated Self-Service Case

CO44R-QS

Lengths include end panels
 47-1/4"L x 32-5/8"D x 46-7/8"H



MODELS SHOWN: CO44R-QS

STANDARD FEATURES

- Breeze™ w/EnergyWise s/c refrigeration
- 4"D removable rear wall spacer (not included in depth dimension)
- 6' straight blade power cord (base exit)
- Compressor air front intake, rear discharge. Front panel cannot be blocked. Must remain 4" from wall
- Condensate pan (self-contained refrig. only)
- Exterior solid back panel, galvanized
- Integrated average product temperature of 40°F or less
- One year parts & labor; 5 year compressor warranty
- Removable deck pans provide complete access to evaporator coil & refrigeration connections
- T-8 top light

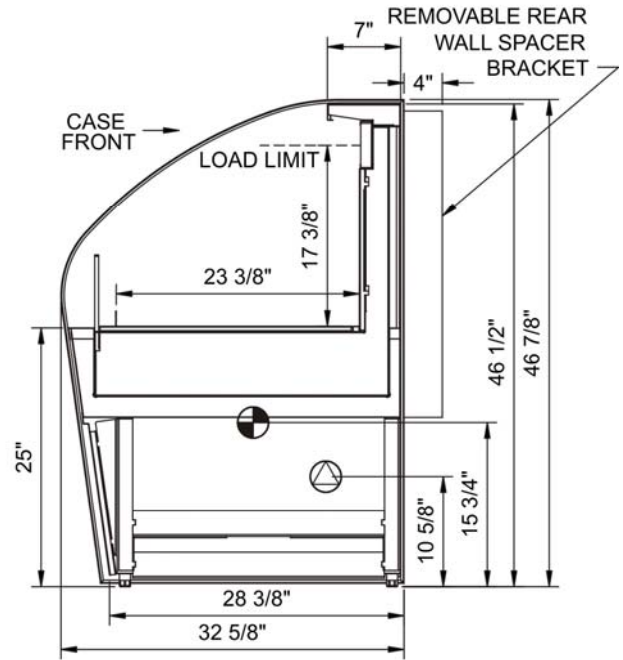
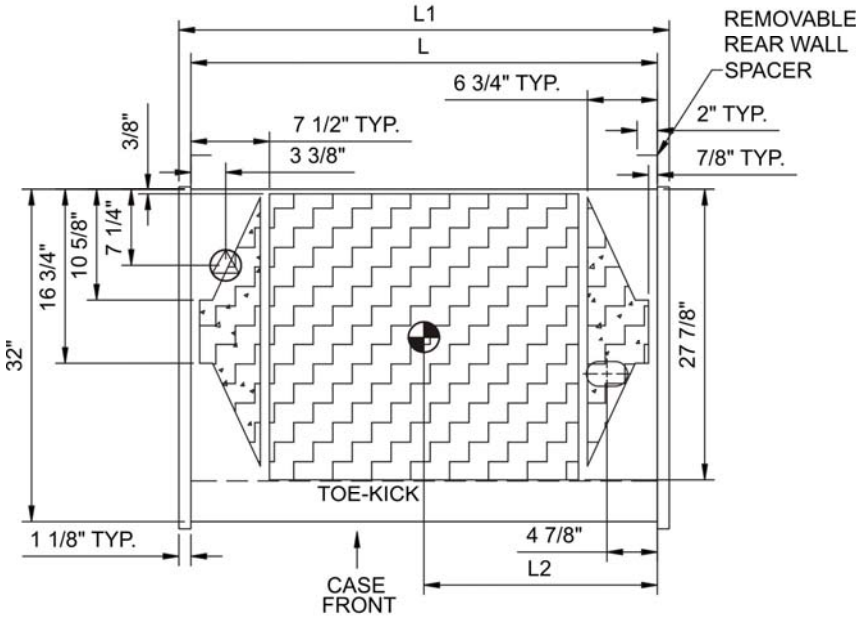
Features	Standard	Options
EXTERIOR COLOR	<input type="checkbox"/> Laminated (non-premium) Confirm pattern/grain direction	<input type="checkbox"/> Laminated (premium) Confirm pattern/grain direction
INTERIOR COLOR	<input type="checkbox"/> Black	
LWR LOUVERED FRNT PANEL	<input type="checkbox"/> Painted - Black	
BASE	<input type="checkbox"/> Casters (n/a with remote)	
END PANEL LEFT	<input type="checkbox"/> Full end panel w/mirror interior	
END PANEL RIGHT	<input type="checkbox"/> Full end panel w/mirror interior	
REFRIGERATION	<input type="checkbox"/> Breeze™ w/EnergyWise s/c refrigeration	
MISCELLANEOUS		<input type="checkbox"/> Second year parts & labor warranty (excludes compressor)

Product Specifications

Intended Environment: Type I - Designed to operate in ambient conditions of 75°F with 55% relative humidity unless noted otherwise in system information below.	
Zone	Intended Product To Be Displayed
All	Packaged refrigerated products
Integrated Prod Temp ° F	
40	

PLAN VIEW

SIDE VIEW



NOTE: ALL DIMENSIONS APPROXIMATE

- ELECTRICAL JUNCTION BOX (SUPPLIED WITH 6" LEADS OR POWER CORD).
- REFRIGERATION LINE CONNECTION.
- LOCATION OF DRAIN TUBE FOR REMOTE REF. ONLY (SUPPLIED WITH 1/2" OR 1 1/2" PVC TUBE).
- REMOTE FLOOR SINK & UTILITIES ACCESS AREA.

- SELF-CONTAINED CASE SERVICE ACCESS AREA.
- DRY CASE SERVICE ACCESS AREA.

Model Technical Specifications

Model	L"	L1"	L2"	System	Circuit Volts	Phs	Freq	Amps ***	Watts	Wires	NEMA Plug	SST	BTUH	Ship Wt	
CO44R-QS	N/A	47.25	22.50	Self-Contained	Circuit #1	110-120	1	60	12.00	1,187	2+G	5-20P or L5-20P	N/A	N/A	600

*** Does not include electric defrost on freezer models.

Important Notes:

- 1) ELECTRICAL NOTE: If GFCI is required, a GFCI breaker MUST be used in lieu of a GFCI receptacle

Regulatory Approvals:

All Models	Accordance with AHRI Std 1200 ETL Listed to UL 471 ETL Listed to CAN/CSA 22.2 No. 120 ETL Sanitation to NSF 7
------------	--

