

Refrigerated Self-Service Case 50 Hz Electrical

Lengths include 1" end panels

- CO35RZ 36-1/4"L x 32-5/8"D x 61-5/8"H
- CO45RZ 47-1/4"L x 32-5/8"D x 61-5/8"H
- CO55RZ 59-1/4"L x 32-5/8"D x 61-5/8"H
- CO65RZ 71-1/4"L x 32-5/8"D x 61-5/8"H



MODEL SHOWN: CO45RZ

STANDARD FEATURES

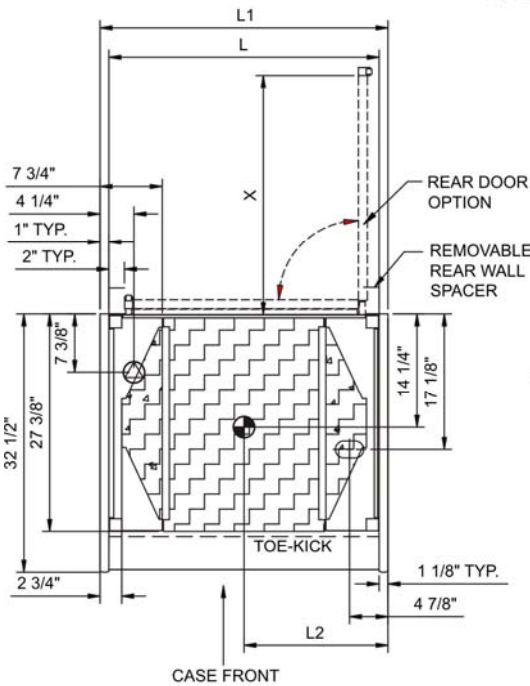
- Breeze™ s/c refrigeration
- 4"D removable rear wall spacer (not included in depth dimensions)
- Compressor air front intake, rear discharge. Front panel cannot be blocked. Must remain 4" from wall
- Condensate pan (self-contained refrig. only)
- Integrated average product temperature of 40°F or less
- Leads
- One year parts & labor; 5 year compressor warranty
- Removable deck pans provide complete access to evaporator coil & refrigeration connections
- Shelving removable and adjustable on 1" centers
- T-8 top light(s)

Features	Standard	Options
EXTERIOR COLOR	<input type="checkbox"/> Laminated (non-premium) Confirm pattern/grain direction	<input type="checkbox"/> Laminated (premium) Confirm pattern/grain direction <input type="checkbox"/> Stainless steel (includes lower front panel)
INTERIOR COLOR	<input type="checkbox"/> Black	<input type="checkbox"/> Stainless steel
LWR LOUVERED FRNT PANEL COLOR	<input type="checkbox"/> Black	<input type="checkbox"/> Stainless steel (w/stainless ext. only)
BASE	<input type="checkbox"/> Casters (n/a with remote)	<input type="checkbox"/> Levelers
END PANEL LEFT	<input type="checkbox"/> Full end panel w/mirror interior	<input type="checkbox"/> Cutaway ends with vinyl edging (vinyl matches interior color) <input type="checkbox"/> No end panel (for same case to case connections)
END PANEL RIGHT	<input type="checkbox"/> Full end panel w/mirror interior	<input type="checkbox"/> Case to case acrylic end <input type="checkbox"/> Cutaway ends with vinyl edging (vinyl matches interior color)
EXTERIOR BACK PANEL	<input type="checkbox"/> Solid back panel, black	<input type="checkbox"/> Rear loading hinged doors, locking <input type="checkbox"/> Solid back panel, stainless steel
SHELVING	<input type="checkbox"/> Metal shelves, non-lighted (2)	<input type="checkbox"/> Metal shelves, T-8 lighted (2)
REFRIGERATION	<input type="checkbox"/> Breeze™ s/c refrigeration	<input type="checkbox"/> Note: Remote doesn't incl Conds unit. Floor drain reqd. <input type="checkbox"/> Remote w/thermostat, solenoid & TXV
MISCELLANEOUS		<input type="checkbox"/> Case height wall spacer bracket (specify BL or SS) <input type="checkbox"/> International heat treated crating <input type="checkbox"/> Roll-down security cover, locking (Requires two end panels (full or cutaway) per case) <input type="checkbox"/> Second year parts & labor warranty (excludes compressor)
ACCESSORIES		<input type="checkbox"/> Night curtain, retractable, non-locking <input type="checkbox"/> Solid security cover, removable, locking

Product Specifications

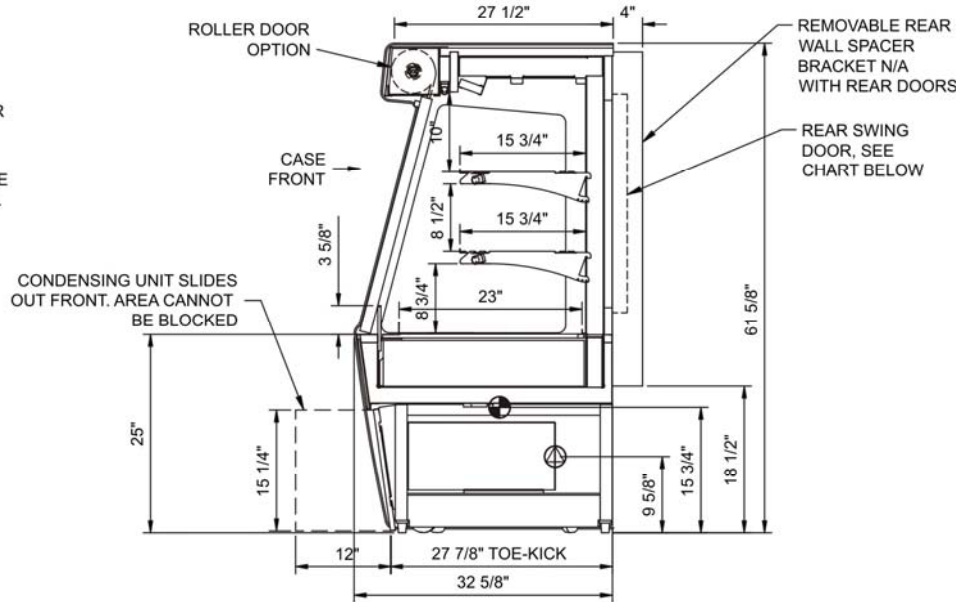
Intended Environment: Type II - Designed to operate in ambient conditions of 80°F and 60% relative humidity unless noted otherwise in system information below.	
Zone	Integrated Prod Temp ° F
All	40

PLAN VIEW



SIDE VIEW

NOTE: CO35R - (X) = 30 1/8" - (1) DOOR LH HINGED
 CO45R - (X) = 19 3/4" - (2) DOORS RH & LH HINGED
 CO55R - (X) = 19 3/4" - (2) DOORS RH & LH HINGED
 CO65R - (X) = 30 1/8" - (2) DOORS RH & LH HINGED



*SELF-CONTAINED
 SERVICE ACCESS AREAS ONLY ACCESSIBLE
 BY PULLING OUT COMPRESSOR UNIT

CASE DEPTH	Solid Back	Rear Doors
Flat Front	32 5/8"	34 1/2"

NOTE: ALL DIMENSIONS APPROXIMATE

- ELECTRICAL JUNCTION BOX (SUPPLIED WITH 6" LEADS OR POWER CORD).
- LOCATION OF DRAIN TUBE FOR REMOTE REF. ONLY (SUPPLIED WITH 3/4" OR 1 1/2" PVC TUBE).

- REFRIGERATION LINE CONNECTION.
- REMOTE FLOOR SINK & UTILITIES ACCESS AREA.

- SELF-CONTAINED CASE SERVICE ACCESS AREA.
- DRY CASE SERVICE ACCESS AREA.

Model Technical Specifications

Model	L"	L1"	L2"	System	Circuit Volts	Phs	Freq	Amps ***	Watts	Wires	NEMA Plug	SST	BTUH	Ship Wt	Frt Cls	
CO35RZ	34.25	36.25	18.13	Self-Contained	Circuit #1	208-240	1	50	2.89	592	2+G	Leads Single	N/A	N/A	800	110
CO45RZ	45.25	47.25	23.63	Self-Contained	Circuit #1	208-240	1	50	8.39	1,567	2+G	Leads Single	N/A	N/A	1,100	110
CO55RZ	57.25	59.25	49.13	Self-Contained	Circuit #1	208-240	1	50	9.52	1,777	2+G	Leads Single	N/A	N/A	1,150	110
CO65RZ	69.25	71.25	39.00	Self-Contained	Circuit #1	208-240	1	50	12.00	2,117	2+G	Leads Single	N/A	N/A	1,200	110

*** Does not include electric defrost on freezer models.

Regulatory Approvals:

All Models
 Accordance with AHRI Std 1200
 ETL Listed to UL 471
 ETL Listed to CAN/CSA 22.2 No. 120
 ETL Sanitation to NSF 7



In Accordance with
AHRI Std 1200

DOE 2012
 Energy Efficiency
 Compliant

Important Notes:

- 1) Performance issues (product temperatures, water on floor, etc.) caused by adverse conditions are not covered by warranty.
- 2) Keep unit at least 15' from exterior doors, overhead HVAC vents, or any air curtain disruption.
- 3) End panels must be tightly joined or kept at least 6" away from any structure to prevent condensation.
- 4) Do not expose unit to direct sunlight or any heat source (ovens, fryers, etc.).
- 5) Keep at least 8" of clearance above unit for air discharge (self-contained only).
- 6) Tile floors, low ceilings, or small rooms will increase noise level. Remote refrigeration recommended.