

**Product Specifications**

**Refrigerated Self-Service Case**



MODELS SHOWN: CO47R-E3



- Lengths include 1" end panels
- CO37R-E3      36-1/4"L x 32-5/8"D x 79-5/8"H
  - CO47R-E3      47-1/4"L x 32-5/8"D x 79-5/8"H
  - CO57R-E3      59-1/4"L x 32-5/8"D x 79-5/8"H
  - CO67R-E3      71-1/4"L x 32-5/8"D x 79-5/8"H

**STANDARD FEATURES**

- Breeze~E (Type-II) w/ EnergyWise s/c refrigeration
- 4"D removable rear wall spacer (not included in depth dimensions)
- 6' power cord (base exit)
- Compressor air front intake, rear discharge. Front panel cannot be blocked. Must remain 4" from wall
- Condensate pan (self-contained refig. only)
- Integrated average product temperature of 40°F or less
- One year parts & labor; 5 year compressor warranty
- Removable deck pans provide complete access to evaporator coil & refrigeration connections
- Shelving removable and adjustable on 1" centers
- T-8 top light(s)

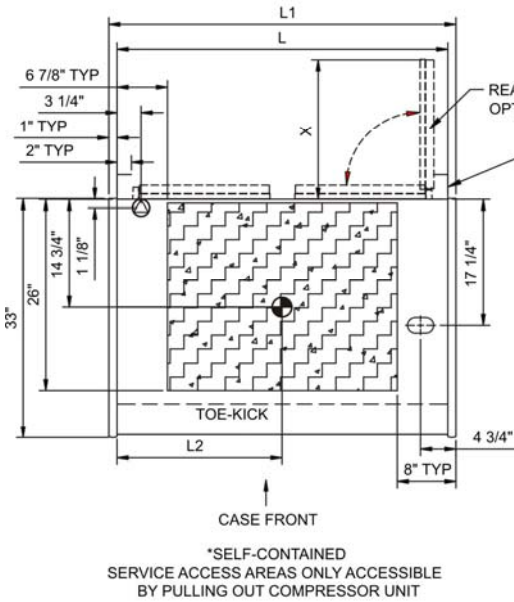
Features	Standard	Options
EXTERIOR COLOR	<input type="checkbox"/> Black	
INTERIOR COLOR	<input type="checkbox"/> Black	
LWR LOUVERED FRNT PANEL COLOR	<input type="checkbox"/> Painted - Black	
BASE	<input type="checkbox"/> Casters (n/a with remote)	
END PANEL LEFT	<input type="checkbox"/> Full end panel w/mirror interior	
END PANEL RIGHT	<input type="checkbox"/> Full end panel w/mirror interior	
EXTERIOR BACK PANEL	<input type="checkbox"/> Solid back panel, black	
SHELVING	<input type="checkbox"/> Metal shelves, lighted (T-8)	
REFRIGERATION	<input type="checkbox"/> Breeze~E (Type-II) w/ EnergyWise s/c refrigeration	

## Product Specifications

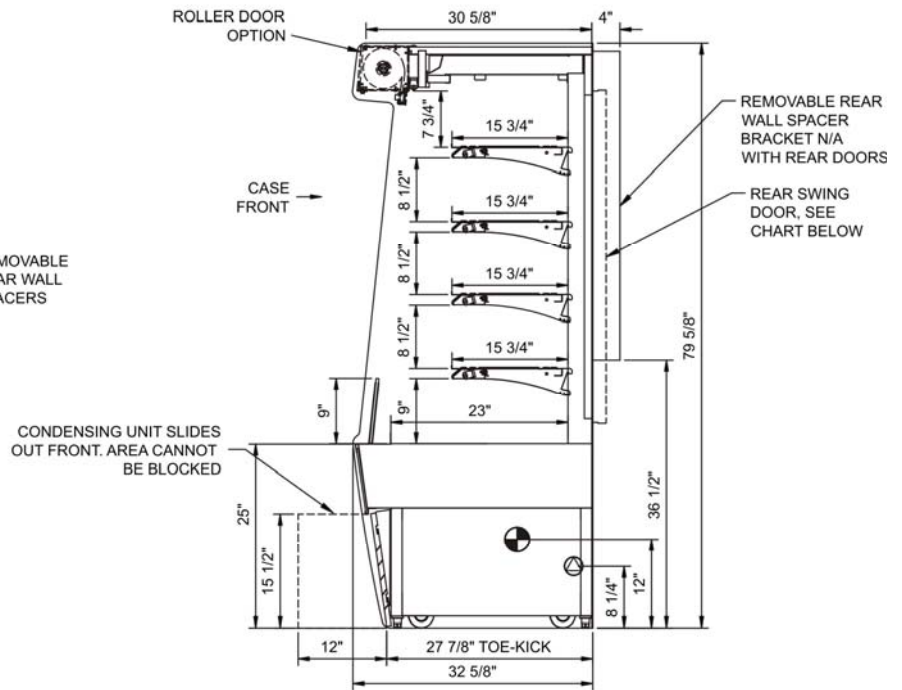
<b>Intended Environment:</b> Type II - Designed to operate in ambient conditions of 80°F and 60% relative humidity unless noted otherwise in system information below.	
<b>Zone</b>	<b>Integrated Prod Temp ° F</b>
All	Packaged refrigerated products
	40

### PLAN VIEW

NOTE: CO37R - (X) = 30" - (1) DOOR LH HINGED  
 CO47R - (X) = 19" - (2) DOORS RH & LH HINGED  
 CO57R - (X) = 20 5/8" - (2) DOORS RH & LH HINGED  
 CO67R - (X) = 30" - (2) DOORS RH & LH HINGED



### SIDE VIEW



CASE DEPTH	Solid Back	Rear Doors
Flat Front	32 5/8"	34 1/2"

NOTE: ALL DIMENSIONS APPROXIMATE

- ELECTRICAL JUNCTION BOX (SUPPLIED WITH 6" LEADS OR POWER CORD).
- LOCATION OF DRAIN TUBE FOR REMOTE REF. ONLY (SUPPLIED WITH 3/4" OR 1 1/2" PVC TUBE).

- REFRIGERATION LINE CONNECTION.
- REMOTE FLOOR SINK & UTILITIES ACCESS AREA.

- SELF-CONTAINED CASE SERVICE ACCESS AREA.
- DRY CASE SERVICE ACCESS AREA.

### Model Technical Specifications

Model	L"	L1"	L2"	System	Circuit Volts	Phs	Freq	Amps ***	Watts	Wires	NEMA Plug	SST	BTUH	Ship Wt	Frt Cls
CO37R-E3	34.25	36.25	18.00	Self-Contained	Circuit #1	110-120	1	60	15.30	1,480	2+G	N/A	N/A	960	110
CO47R-E3	45.25	47.25	18.38	Self-Contained	Circuit #1	208-240	1	60	10.20	1,922	2+G	N/A	N/A	1,150	110
CO57R-E3	57.25	59.25	10.00	Self-Contained	Circuit #1	208-240	1	60	12.00	2,323	2+G	N/A	N/A	1,350	110
CO67R-E3	69.25	71.25	31.25	Self-Contained	Circuit #1	208-240	1	60	14.20	2,433	2+G	N/A	N/A	1,550	110

\*\*\* Does not include electric defrost on freezer models.

#### Regulatory Approvals:

All Models  
 Accordance with AHRI Std 1200  
 ETL Listed to UL 471  
 ETL Listed to CAN/CSA 22.2 No. 120  
 ETL Sanitation to NSF 7



#### Important Notes:

- 1) ELECTRICAL NOTE: If GFCI is required, a GFCI breaker MUST be used in lieu of a GFCI receptacle
- 2) Performance issues (product temperatures, water on floor, etc.) caused by adverse conditions are not covered by warranty.
- 3) Keep unit at least 15' from exterior doors, overhead HVAC vents, or any air curtain disruption.
- 4) End panels must be tightly joined or kept at least 6" away from any structure to prevent condensation.
- 5) Do not expose unit to direct sunlight or any heat source (ovens, fryers, etc.).
- 6) Keep at least 8" of clearance above unit for air discharge (self-contained only).
- 7) Tile floors, low ceilings, or small rooms will increase noise level. Remote refrigeration recommended.