

Product Specifications

Refrigerated Self-Service Counter Case

Lengths include end panels



STD = FREESTANDING (-FS) / 33-3/4"H



OPT = COUNTER HEIGHT (-CH) / 33-3/4"H



OPT = UNDERCOUNTER HEIGHT (-UC) / 32-3/4"H



- CO3324R 36-1/4"L x 24-1/8"D x 33-3/4"H
- CO4324R 47-1/4"L x 24-1/8"D x 33-3/4"H
- CO5324R 59-1/4"L x 24-1/8"D x 33-3/4"H
- CO6324R 71-1/4"L x 24-1/8"D x 33-3/4"H

STANDARD FEATURES

- NOTE: ADD SUFFIX TO MODEL # LISTED ABOVE BASED ON MODEL CONFIGURATION CHOSEN BELOW
- Breeze~E (Type-II) w/ EnergyWise s/c refrigeration
- Blue Fin coated coil
- Casters (non-locking) w/ levelers
- Compressor air rear intake, front discharge at toe kick. Front and rear panels cannot be blocked. Must remain 4" from wall
- Condensate pan (self-contained refrig. only)
- Flat front panel
- Integrated average product temperature of 40°F or less
- LED 3500K top light
- One piece formed ABS plastic tub
- One year parts & labor; 5 year compressor warranty
- Removable deck pans provide complete access to evaporator coil & refrigeration connections
- Toe kick, black

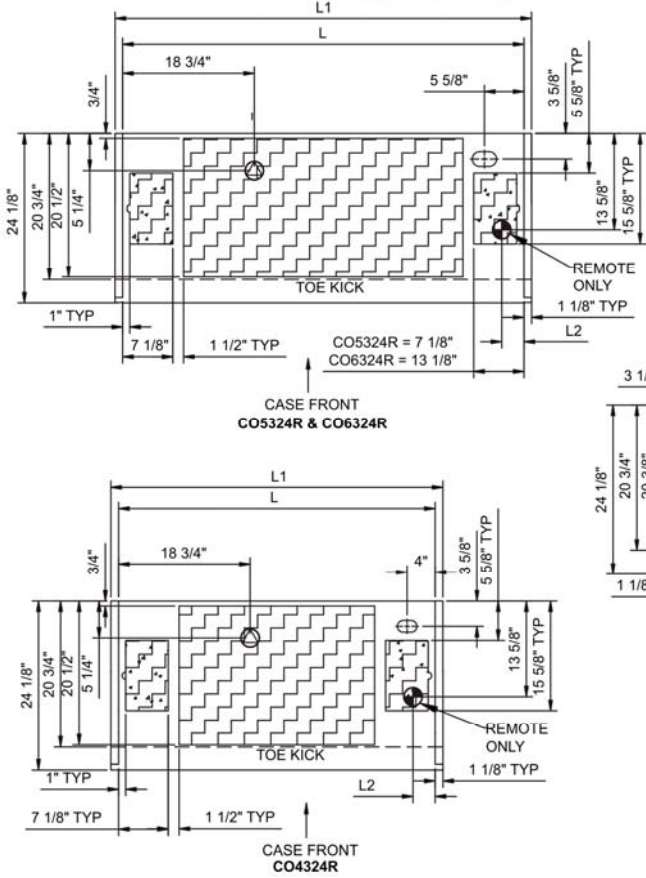
Features	Standard	Options
MODEL CONFIGURATION	<input type="checkbox"/> Freestanding (-FS) Counter ht. 33-3/4"H; freestanding unit w/2 end panels. Top & front panels positioned between end panels	<input type="checkbox"/> Counter height (-CH) Counter ht. 33-3/4"H; Top & front panels extended over end panels to blend w/adj. counters (supplied by others) <input type="checkbox"/> Undercounter height (-UC) Undercounter ht. 32-3/4"H; front panel extends over end panels to blend w/adj. counters (supplied by others). Counter surface (supplied by others) extends over top of unit
EXTERIOR COLOR	<input type="checkbox"/> Laminated (non-premium) Confirm pattern/grain direction	<input type="checkbox"/> Laminated (premium) Confirm pattern/grain direction <input type="checkbox"/> Stainless steel exterior
INTERIOR COLOR	<input type="checkbox"/> Black interior	<input type="checkbox"/> Stainless steel interior
END PANEL LEFT	<input type="checkbox"/> Square full end panel w/mirror	<input type="checkbox"/> Curved end panel w/mirror (-FS model only) <input type="checkbox"/> No end panel (for same case to case connect)
END PANEL RIGHT	<input type="checkbox"/> Square full end panel w/mirror	<input type="checkbox"/> Curved end panel w/mirror (-FS model only) <input type="checkbox"/> No end panel (for same case to case connect) (requires sync defrost cycles)
EXTERIOR BACK PANEL	<input type="checkbox"/> Solid back panel, black	<input type="checkbox"/> Solid back panel, stainless steel
ELECTRICAL CONNECT	<input type="checkbox"/> 6' straight blade power cord (self-cont.)	<input type="checkbox"/> 6' locking power cord (self-cont.) <input type="checkbox"/> Electrical leads (remote)
REFRIGERATION	<input type="checkbox"/> Breeze~E (Type-II) w/ EnergyWise s/c refrigeration	<input type="checkbox"/> Note: Remote doesn't incl Conds unit. Floor drain reqd. <input type="checkbox"/> Remote w/thermostat, solenoid & TXV
MISCELLANEOUS		<input type="checkbox"/> Second year parts & labor warranty (excludes compressor) <input type="checkbox"/> Synchronized defrost cycles (w/ connect of same case models w/o case to case acrylic panel)
ACCESSORIES		<input type="checkbox"/> 2"H Full depth display riser(s) for lower display <input type="checkbox"/> Clean Sweep® coil cleaner (n/a w/remote) <input type="checkbox"/> Night curtain, retractable, non-locking <input type="checkbox"/> Solid security cover, removable, locking

Option Notes: 1 - See tech spec for remote load reqmts

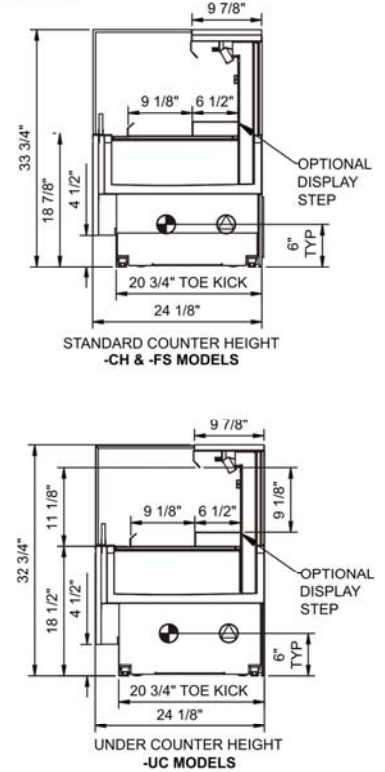
Product Specifications

Intended Environment: Type II - Designed to operate in ambient conditions of 80°F and 60% relative humidity unless noted otherwise in system information below.	
Zone	Intended Product To Be Displayed
All	Packaged refrigerated products
Integrated Prod Temp ° F	
40	

PLAN VIEW



SIDE VIEW



- NOTE: ALL DIMENSIONS APPROXIMATE**
- ELECTRICAL JUNCTION BOX (SUPPLIED WITH 6" LEADS OR POWER CORD).
 - LOCATION OF DRAIN TUBE FOR REMOTE REF. ONLY (SUPPLIED WITH 3/4" OR 1 1/2" PVC TUBE).
 - REFRIGERATION LINE CONNECTION.
 - REMOTE FLOOR SINK & UTILITIES ACCESS AREA.
 - SELF-CONTAINED CASE SERVICE ACCESS AREA.
 - DRY CASE SERVICE ACCESS AREA.

Model Technical Specifications

Model	L"	L1"	L2"	System Circuit Volts		Phs	Freq	Amps ***	Watts	Wires	NEMA Plug	SST	BTUH	Ship Wt	
CO3324R	N/A	36.25	2.38	Remote(Type II)	Circuit #1	110-120	1	60	1.20	46	2+G	Leads Multiple	20.00	1700	600
				Self-Contained	Circuit #1	110-120	1	60	12.00	1,109	2+G	5-15P or L5-15P	N/A	N/A	
CO4324R	N/A	47.25	26.63	Remote(Type II)	Circuit #1	110-120	1	60	1.32	66	2+G	Leads Multiple	20.00	2250	700
				Self-Contained	Circuit #1	110-120	1	60	12.00	1,113	2+G	5-15P or L5-15P	N/A	N/A	
CO5324R	N/A	59.25	26.63	Remote(Type II)	Circuit #1	110-120	1	60	1.60	76	2+G	Leads Multiple	20.00	3000	900
				Self-Contained	Circuit #1	110-120	1	60	15.38	1,279	2+G	5-20P or L5-20P	N/A	N/A	
CO6324R	N/A	71.25	26.63	Remote(Type II)	Circuit #1	110-120	1	60	1.64	85	2+G	Leads Multiple	20.00	3400	1,000
				Self-Contained	Circuit #1	110-120	1	60	15.42	1,288	2+G	5-20P or L5-20P	N/A	N/A	

*** Does not include electric defrost on freezer models.

Important Notes:

- 1) ELECTRICAL NOTE: If GFCI is required, a GFCI breaker MUST be used in lieu of a GFCI receptacle
- 2) 33" Minimum entry door clearance required (w/out shipping skid)
- 3) Performance issues (product temperatures, water on floor, etc.) caused by adverse conditions are not covered by warranty.
- 4) Keep unit at least 15' from exterior doors, overhead HVAC vents, or any air curtain disruption.
- 5) Do not expose unit to direct sunlight or any heat source (ovens, fryers, etc.).

Regulatory Approvals:	
All Models	Accordance with AHRI Std 1200 ETL Listed to UL 471 ETL Listed to CAN/CSA 22.2 No. 120 ETL Sanitation to NSF 7

