

Refrigerated Self-Service Island

FSI863R

Lengths include end panels  
 99-3/4"L x 48"D x 63"H



MODEL SHOWN: FSI863R

Conforms to NSF STD 7  
**TYPE II**

**STANDARD FEATURES**

- Remote w/thermostat, solenoid & TXV (NSF Type II conditions)
- Integrated average product temperature of 40°F or less
- LED top light
- One year parts & labor warranty
- Rail system for shims
- Removable deck pans provide complete access to evaporator coil & refrigeration connections

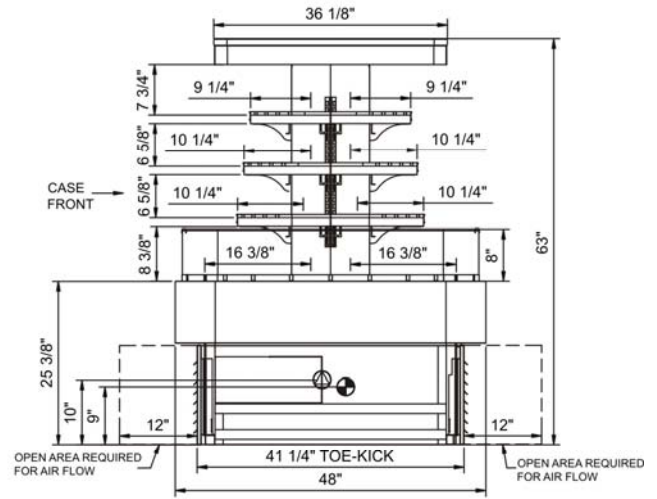
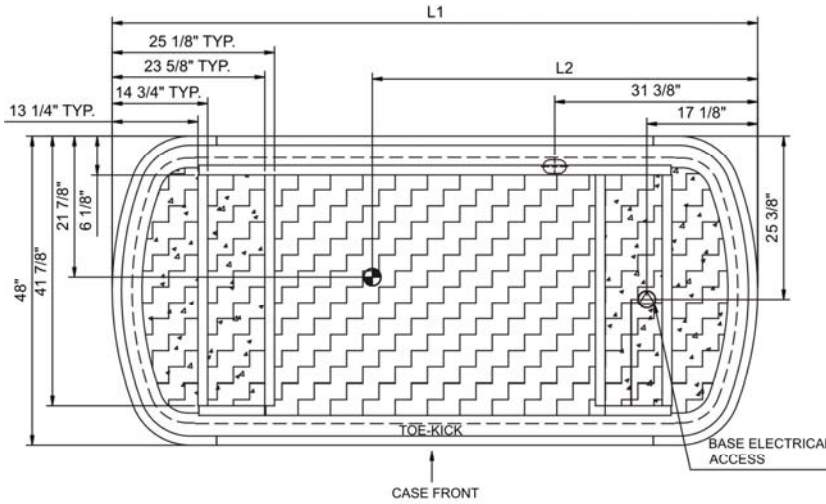
Features	Standard	Options
<b>EXTERIOR COLOR</b>	<input type="checkbox"/> Laminated (non-premium) Confirm pattern/grain direction	<input type="checkbox"/> Laminated (non-premium) Confirm pattern/grain direction <input type="checkbox"/> Stainless steel (includes lower front panel)
<b>INTERIOR COLOR</b>	<input type="checkbox"/> Black	<input type="checkbox"/> Stainless steel
<b>LOWER FRONT PANEL COLOR</b>	<input type="checkbox"/> Black	<input type="checkbox"/> Stainless steel (w/stainless exterior only)
<b>SHELVING</b>	<input type="checkbox"/> Non-adjustable metal shelves, non-lighted	<input type="checkbox"/> Non-adjustable metal shelves, lighted (LED)
<b>ELECTRICAL CONNECT</b>	<input type="checkbox"/> Electrical leads (remote)	<input type="checkbox"/> 6' locking power cord (self-cont.) <input type="checkbox"/> 6' straight blade power cord (self-cont.)
<b>REFRIGERATION</b>	<input type="checkbox"/> Remote w/thermostat, solenoid & TXV	<input type="checkbox"/> Breeze™ w/EnergyWise s/c refrigeration (For Type I Conditions Only) <input type="checkbox"/> Note: Remote doesn't incl Conds unit. Floor drain reqd.
<b>MISCELLANEOUS</b>		<input type="checkbox"/> Second year parts & labor warranty (excludes compressor)

## Product Specifications

<b>Intended Environment:</b> Type II - Designed to operate in ambient conditions of 80°F and 60% relative humidity unless noted otherwise in system information below.	
<b>Zone</b>	<b>Integrated Prod Temp ° F</b>
All	40

PLAN VIEW

SIDE VIEW



NOTE: ALL DIMENSIONS APPROXIMATE

- ELECTRICAL JUNCTION BOX (SUPPLIED WITH 6" LEADS OR POWER CORD).
- REFRIGERATION LINE CONNECTION.
- SELF-CONTAINED CASE SERVICE ACCESS AREA.
- LOCATION OF DRAIN TUBE FOR REMOTE REF. ONLY (SUPPLIED WITH 3/4" OR 1 1/2" PVC TUBE).
- REMOTE FLOOR SINK & UTILITIES ACCESS AREA.
- DRY CASE SERVICE ACCESS AREA.

**Model Technical Specifications**

Model	L"	L1"	L2"	System Circuit Volts		Phs	Freq	Amps ***	Watts	Wires	NEMA Plug	SST	BTUH	Ship Wt	Frt Cls	
FSI863R	N/A	99.75	59.50	Remote (Type II)	Circuit #1	110-120	1	60	5.99	390	2+G	Leads Multiple	20.0	22,500	3,000	110
				Self-Contained	Circuit #1	208-240	1	60	23.70	4,952	2+G	6-30P	N/A	N/A		

\*\*\* Does not include electric defrost on freezer models.

**Important Notes:**

- 1) ELECTRICAL NOTE: If GFCI is required, a GFCI breaker MUST be used in lieu of a GFCI receptacle
- 2) NOTE: Electrical specs reflect highest Amp draw using lighted shelves option
- 3) Breeze™ w/EnergyWise s/c refrigeration is for use in Type I conditions only

Regulatory Approvals:	
All Models	Accordance with AHRI Std 1200 ETL Listed to UL 471 ETL Listed to CAN/CSA 22.2 No. 120 ETL Sanitation to NSF 7



In Accordance with  
**AHRI Std 1200**

**DOE 2012**  
Energy Efficiency  
Compliant