

Product Specifications

Combination Hot Service Above Refrigerated Self-Service Full Pan Capacity



MODEL SHOWN: GCD656H

NOTE: INTERIOR PANS NOT PROVIDED W/CASE - GCD456H HOLDS (3) 4" D FULL SIZE PANS
 GCD656H = (5) PANS, GCD856H = (7) PANS

- Lengths include end panels
- GCD456H 51"L x 51-7/8"D x 55-3/8"H
 - GCD656H 75-3/8"L x 51-7/8"D x 55-3/8"H
 - GCD856H 99-3/4"L x 51-7/8"D x 55-3/8"H

STANDARD FEATURES

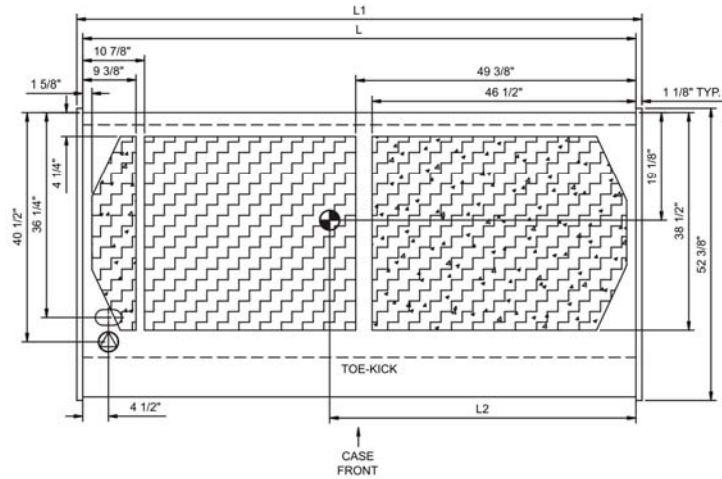
- Breeze™ w/EnergyWise s/c refrigeration
- Compressor air intake from rear and out front panel at toe kick. Front panel cannot be blocked.
- Designed for dry heat
- Halogen bulbs
- Independently heated wells controlled by thermostat
- Integrated average product temperature of 160°F in hot section and 40°F or less in cold
- Non-refrigerated rear storage (w/doors)
- One year parts & labor; 5 year compressor warranty
- Stainless steel rear exterior
- T-8 top light

Features	Standard	Options
EXTERIOR COLOR	<input type="checkbox"/> Laminated (non-premium) Confirm pattern/grain direction	<input type="checkbox"/> Laminated (premium) Confirm pattern/grain direction <input type="checkbox"/> Stainless steel
INTERIOR COLOR - LOWER	<input type="checkbox"/> Black	<input type="checkbox"/> Stainless steel <input type="checkbox"/> White
LOWER PANEL COLOR	<input type="checkbox"/> Painted - Black	<input type="checkbox"/> Stainless steel
TRIM COLOR	<input type="checkbox"/> Black	<input type="checkbox"/> Silver
BASE	<input type="checkbox"/> Casters w/ levelers (n/a w/ remote ref.)	<input type="checkbox"/> 6"H legs
END PANEL LEFT	<input type="checkbox"/> Cutaway with glass	<input type="checkbox"/> No end panel (for same case to case connections)
END PANEL RIGHT	<input type="checkbox"/> Cutaway with glass	<input type="checkbox"/> No end panel (for same case to case connections)
FRONT GLASS	<input type="checkbox"/> Curved single pane, lift-up front glass w/o lock	<input type="checkbox"/> Flat angled single pane, lift-up front glass w/o lock
UPPER REAR	<input type="checkbox"/> Clear glass rear sliding doors w/o lock	<input type="checkbox"/> Reflective glass rear sliding doors w/o lock
REFRIGERATION	<input type="checkbox"/> Breeze™ w/EnergyWise s/c refrigeration	<input type="checkbox"/> NOTE: Remote only available w/rail base w/shims. N/A w/ levelers, casters or legs. <input type="checkbox"/> Note: Remote doesn't incl Conds unit. Floor drain reqd. <input type="checkbox"/> Remote w/thermostat, solenoid & TXV
MISCELLANEOUS		<input type="checkbox"/> Front glass lock <input type="checkbox"/> Rear door lock <input type="checkbox"/> Scale stand w/receptacle (requires separate circuit) <input type="checkbox"/> Second year parts & labor warranty (excludes compressor)
ACCESSORIES		<input type="checkbox"/> Clean Sweep® coil cleaner (n/a w/remote) <input type="checkbox"/> Night curtain, retractable, non-locking <input type="checkbox"/> Rear wrapping board <input type="checkbox"/> Removable wire security cover, locking

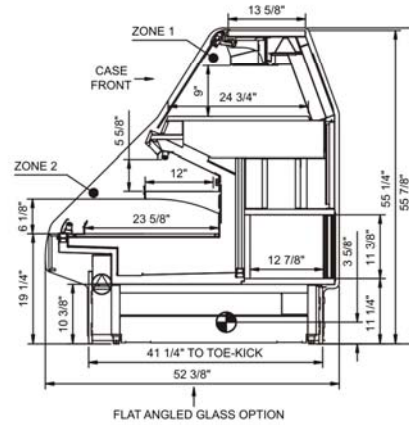
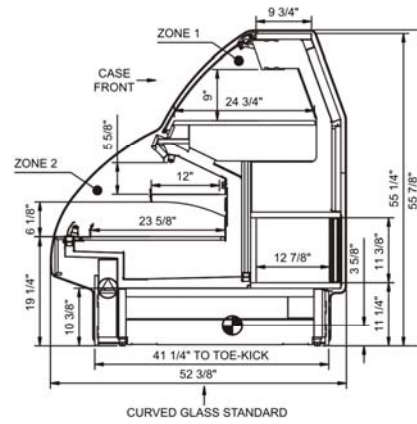
Product Specifications

Intended Environment: Type I - Designed to operate in ambient conditions of 75°F with 55% relative humidity unless noted otherwise in system information below.	
Zone	Integrated Prod Temp ° F
All	40

PLAN VIEW



SIDE VIEW



NOTE: ALL DIMENSIONS APPROXIMATE

- ELECTRICAL JUNCTION BOX (SUPPLIED WITH 6" LEADS OR POWER CORD).
- REMOVE FLOOR SINK & UTILITIES ACCESS AREA.
- LOCATION OF DRAIN TUBE FOR REMOTE REF. ONLY (SUPPLIED WITH 3/4" OR 1 1/2" PVC TUBE).
- SELF-CONTAINED CASE SERVICE ACCESS AREA.
- REFRIGERATION LINE CONNECTION.
- DRY CASE SERVICE ACCESS AREA.

Model Technical Specifications													
Model	L1"	L2"	System Circuit Volts (60 Hz)		Phase	Amps ***	Watts	Wires	NEMA Plug	BTUH	Ship Wt	Frts Cts	
GCD456H	51	0	Heat	Circuit 1	120/208	1	17.0	3,398	3+G	Leads	2489	1,400	110
					120/240	1	19.4	4,464	3+G				
			Self-Contained	Circuit 2	120/208	3	11.8	3,398	4+G				
					120/240	3	13.4	4,464	4+G				
					120	1	15.8	1,891	2+G				
Remote	Circuit 2	120	1	1.9	226	2+G							
GCD656H	75 3/8	0	Heat	Circuit 1	120/208	1	28.3	5,663	3+G	Leads	3118	1,500	110
					120/240	1	32.3	7,440	3+G				
			Self-Contained	Circuit 2	120/208	3	18.9	5,663	4+G				
					120/240	3	21.8	7,440	4+G				
					120	1	17.9	2,153	2+G				
Remote	Circuit 2	120	1	2.5	295	2+G							
GCD856H	99 3/4	0	Heat	Circuit 1	120/208	1	39.1	7,869	3+G	Leads	3840	1,700	110
					120/240	1	44.70	10,357	3+G				
			Self-Contained	Circuit 2	120/208	3	27.1	7,869	4+G				
					120/240	3	30.8	10,357	4+G				
					120	1	21.8	2,612	2+G				
Remote	Circuit 2	120	1	2.6	311	2+G							

*** Does not include electric defrost on freezer models.

Regulatory Approvals:	
All Models	Accordance with AHRI Std 1200 UL/cUL Listed Std 197 & Std 471 ETL Listed to CAN/CSA 22.2 No. 109 & 120 ETL Sanitation to NSF 4 & 7

Important Notes:

- 1) ELECTRICAL NOTE: If GFCI is required, a GFCI breaker MUST be used in lieu of a GFCI receptacle
- 2) 54" minimum door entry clearance required (without shipping skid).
- 3) Units are supplied with levelers. They must be adjusted during installation to ensure the unit is level and plumb. Dimensions reflect levelers extended 1 1/4".

