

## Product Specifications

### Refrigerated Self-Service Low Profile Case

Lengths include end panels

- GHSS436R
- GHSS636R

51"L x 51-7/8"D x 37"H  
 75-3/8"L x 51-7/8"D x 37"H



MODEL SHOWN: GHSS436R

#### STANDARD FEATURES

- Breeze™ w/EnergyWise s/c refrigeration
- Compressor air intake from rear and out front panel at toe kick. Front panel cannot be blocked.
- Flat upper front panel
- Integrated average product temperature of 40°F or less
- One year parts & labor; 5 year compressor warranty
- Shelving removable and adjustable on 1" centers
- Stainless steel rear exterior
- T-8 top light

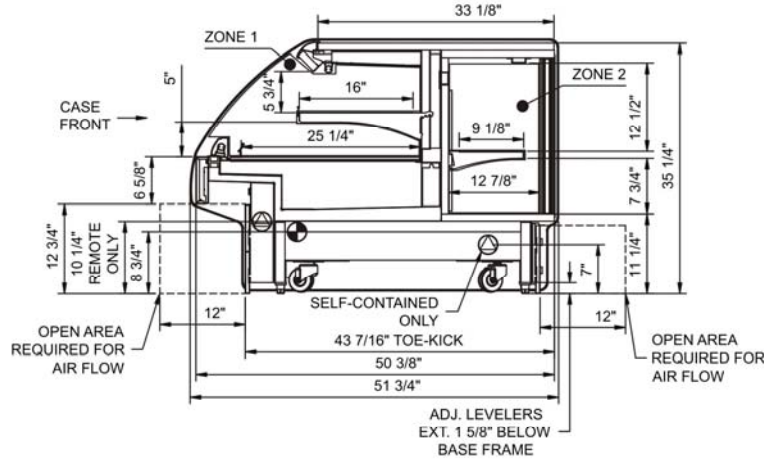
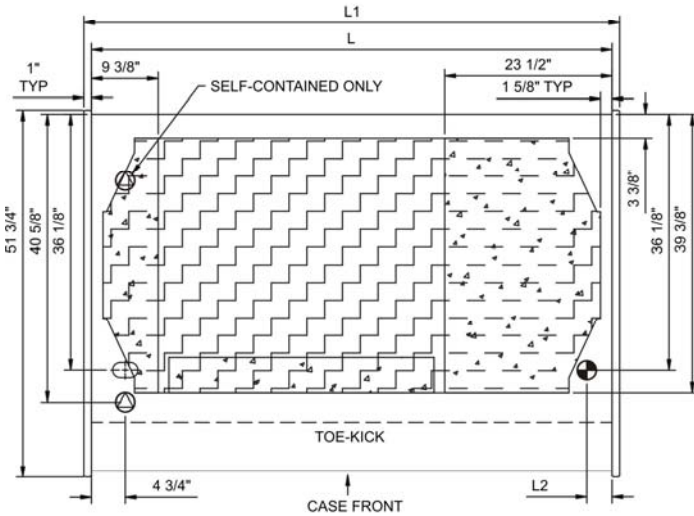
Features	Standard	Options
<b>EXTERIOR COLOR</b>	<input type="checkbox"/> Laminated (non-premium) Confirm pattern/grain direction	<input type="checkbox"/> Laminated (premium) Confirm pattern/grain direction <input type="checkbox"/> Stainless steel
<b>INTERIOR COLOR</b>	<input type="checkbox"/> Black	<input type="checkbox"/> Stainless steel <input type="checkbox"/> White
<b>TRIM COLOR</b>	<input type="checkbox"/> Black	<input type="checkbox"/> Silver
<b>BASE</b>	<input type="checkbox"/> Casters w/ levelers (n/a w/ remote ref.)	<input type="checkbox"/> 6"H legs
<b>END PANEL LEFT</b>	<input type="checkbox"/> Full end panel w/mirror interior	<input type="checkbox"/> No end panel (for same case to case connections)
<b>END PANEL RIGHT</b>	<input type="checkbox"/> Full end panel w/mirror interior	<input type="checkbox"/> No end panel (for same case to case connections)
<b>LOWER FRONT PANEL</b>	<input type="checkbox"/> Painted - Black	<input type="checkbox"/> Stainless steel
<b>LOWER REAR</b>	<input type="checkbox"/> Non-refrigerated rear storage (w/doors)	<input type="checkbox"/> Refrigerated rear storage (w/doors)
<b>WORK SURFACE</b>	<input type="checkbox"/> Laminated (matches exterior color)	<input type="checkbox"/> Solid surface (specify color) <input type="checkbox"/> Stainless steel
<b>ELECTRICAL CONNECT</b>	<input type="checkbox"/> 6' straight blade power cord (self cont.)	<input type="checkbox"/> 6' locking power cord (self cont.) <input type="checkbox"/> Electrical leads (remote)
<b>REFRIGERATION</b>	<input type="checkbox"/> Breeze™ w/EnergyWise s/c refrigeration	<input type="checkbox"/> NOTE: Remote only available w/rail base w/shims. N/A w/ levelers, casters or legs. <input type="checkbox"/> Note: Remote doesn't incl Conds unit. Floor drain reqd. <input type="checkbox"/> Remote w/thermostat, solenoid & TXV
<b>MISCELLANEOUS</b>		<input type="checkbox"/> LED lights <input type="checkbox"/> Second year parts & labor warranty (excludes compressor)
<b>ACCESSORIES</b>		<input type="checkbox"/> Clean Sweep® coil cleaner (n/a w/remote) <input type="checkbox"/> Night curtain, retractable, non-locking <input type="checkbox"/> Removable wire security cover, locking

## Product Specifications

<b>Intended Environment:</b> Type I - Designed to operate in ambient conditions of 75°F with 55% relative humidity unless noted otherwise in system information below.	
<b>Zone</b>	<b>Integrated Prod Temp ° F</b>
All	Packaged refrigerated products
	40

PLAN VIEW

SIDE VIEW



NOTE: ALL DIMENSIONS APPROXIMATE

- ELECTRICAL JUNCTION BOX (SUPPLIED WITH 6" LEADS OR POWER CORD).
- LOCATION OF DRAIN TUBE FOR REMOTE REF. ONLY (SUPPLIED WITH 3/4" OR 1 1/2" PVC TUBE).

- REFRIGERATION LINE CONNECTION.
- REMOTE FLOOR SINK & UTILITIES ACCESS AREA.

- SELF-CONTAINED CASE SERVICE ACCESS AREA.
- DRY CASE SERVICE ACCESS AREA.

Model Technical Specifications

Model	L"	L1"	L2"	System Circuit Volts			Phs	Freq	Amps ***	Watts	Wires	NEMA Plug	SST	BTUH	Ship Wt	Frt Cls
GHSS436R	N/A	51.00	.00	Remote(Type I)	Circuit #1	110-120	1	60	1.40	153	2+G	Leads Multiple	20	3,200	950	110
				Self-Contained	Circuit #1	110-120	1	60	15.20	1,547	2+G	5-20P or L5-20P	N/A	N/A		
GHSS636R	N/A	75.38	.00	Remote(Type I)	Circuit #1	110-120	1	60	2.05	212	2+G	Leads Multiple	20	4,400	1,550	110
				Self-Contained	Circuit #1	110-120	1	60	16.00	1,717	2+G	5-20P or L5-20P	N/A	N/A		

\*\*\* Does not include electric defrost on freezer models.

Regulatory Approvals:	
All Models	Accordance with AHRI Std 1200 ETL Listed to UL 471 ETL Listed to CAN/CSA 22.2 No. 120 ETL Sanitation to NSF 7

Important Notes:

- 1) ELECTRICAL NOTE: If GFCI is required, a GFCI breaker MUST be used in lieu of a GFCI receptacle
- 2) 45" minimum door entry clearance required (without shipping skid).
- 3) Units are supplied with levelers. They must be adjusted during installation to ensure the unit is level and plumb. Dimensions reflect levelers extended 1 1/4"

