

Product Specifications

Refrigerated Service Single Deck Case

Lengths include 1-1/8" end panels



MODEL SHOWN: GLDS4R

NOTE: SHOWN W/ OPTIONAL CUTAWAY END PANEL

- GLDS4R 51"L x 46-5/8"D x 51-1/4"H
- GLDS5R 62-7/8"L x 46-5/8"D x 51-1/4"H
- GLDS6R 75-3/8"L x 46-5/8"D x 51-1/4"H
- GLDS8R 99-3/4"L x 46-5/8"D x 51-1/4"H
- GLDS10R 123-3/8"L x 46-5/8"D x 51-1/4"H
- GLDS12R 148-1/2"L x 46-5/8"D x 51-1/4"H

STANDARD FEATURES

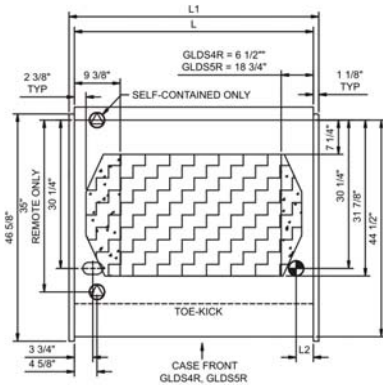
- Breeze™ w/EnergyWise s/c refrigeration
- Compressor air intake from rear and out front panel at toe kick. Front panel cannot be blocked.
- Corrosion resistant stainless steel tub & fan shroud
- Integrated average product temperature of 40°F or less
- One year parts & labor; 5 year compressor warranty
- T-8 top lights

Features	Standard	Options
EXTERIOR COLOR	<input type="checkbox"/> Laminated (non-premium) Confirm pattern/grain direction	<input type="checkbox"/> Laminated (premium) Confirm pattern/grain direction <input type="checkbox"/> Stainless steel
INTERIOR COLOR	<input type="checkbox"/> Black	<input type="checkbox"/> Stainless steel <input type="checkbox"/> White
LOWER FRONT PANEL COLOR	<input type="checkbox"/> Painted - Black	<input type="checkbox"/> Stainless steel
REAR EXTERIOR COLOR	<input type="checkbox"/> Stainless steel rear exterior	<input type="checkbox"/> Painted - Black <input type="checkbox"/> Painted - White
TRIM COLOR	<input type="checkbox"/> Black	<input type="checkbox"/> Silver
BASE	<input type="checkbox"/> Casters w/ levelers (n/a w/ remote ref.)	<input type="checkbox"/> 6"H legs
END PANEL LEFT	<input type="checkbox"/> Full end panel w/mirror interior	<input type="checkbox"/> Cutaway with glass <input type="checkbox"/> No end panel (for same case to case connections)
END PANEL RIGHT	<input type="checkbox"/> Full end panel w/mirror interior	<input type="checkbox"/> Cutaway with glass <input type="checkbox"/> No end panel (for same case to case connections)
FRONT GLASS	<input type="checkbox"/> Curved single pane, lift-up front glass w/o lock	<input type="checkbox"/> Flat angled single pane, lift-up front glass w/o lock
REAR WORK LEDGE	<input type="checkbox"/> Black Sanalite®	<input type="checkbox"/> Solid surface (specify color) <input type="checkbox"/> Stainless steel <input type="checkbox"/> White Sanalite®
UPPER REAR	<input type="checkbox"/> Acrylic rear sliding doors w/o lock	<input type="checkbox"/> Open
ELECTRICAL CONNECT	<input type="checkbox"/> 6' straight blade power cord (self-cont.)	<input type="checkbox"/> 6' locking power cord (self-cont.) <input type="checkbox"/> Electrical leads (remote)
REFRIGERATION	<input type="checkbox"/> Breeze™ w/EnergyWise s/c refrigeration	<input type="checkbox"/> NOTE: Remote only available w/rail base w/shims. N/A w/ levelers, casters or legs. <input type="checkbox"/> Note: Remote doesn't incl Conds unit. Floor drain reqd. <input type="checkbox"/> Remote w/thermostat, solenoid & TXV
MISCELLANEOUS		<input type="checkbox"/> Front glass lock <input type="checkbox"/> Rear door lock <input type="checkbox"/> Scale stand w/receptacle (requires separate circuit) <input type="checkbox"/> Second year parts & labor warranty (excludes compressor)
ACCESSORIES		<input type="checkbox"/> 2"H Full depth display riser(s) <input type="checkbox"/> Clean Sweep® coil cleaner (n/a w/remote) <input type="checkbox"/> Stainless steel condiment rail system

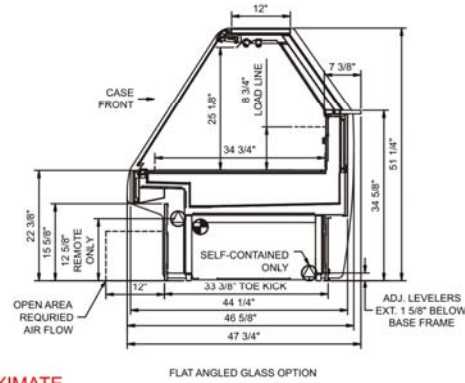
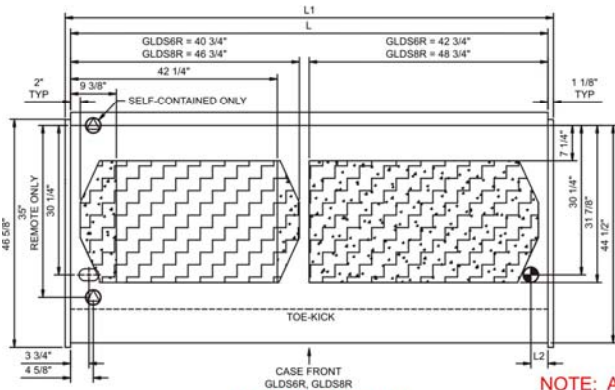
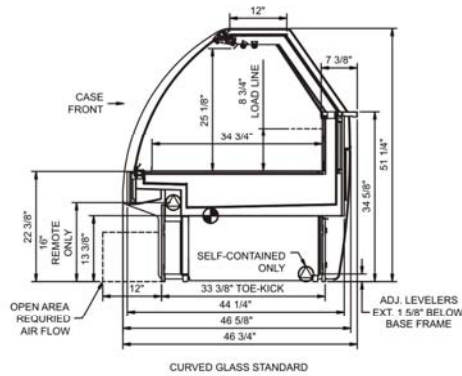
Product Specifications

Intended Environment: Type I - Designed to operate in ambient conditions of 75°F with 55% relative humidity unless noted otherwise in system information below.	
Zone	Intended Product To Be Displayed
All	Unpackaged refrigerated products
Integrated Prod Temp ° F	
40	

PLAN VIEW



SIDE VIEW



NOTE: ALL DIMENSIONS APPROXIMATE

- ELECTRICAL JUNCTION BOX**
(SUPPLIED WITH 6\"/>
- LOCATION OF DRAIN TUBE FOR REMOTE REF.**
ONLY (SUPPLIED WITH 1/2\"/>
- REFRIGERATION LINE CONNECTION.**
- REMOTE FLOOR SINK & UTILITIES**
ACCESS AREA.
- SELF-CONTAINED CASE SERVICE ACCESS AREA.**
- DRY CASE SERVICE ACCESS AREA.**

Model Technical Specifications

Model	L"	L1"	L2"	System Circuit Volts		Phs	Freq	Amps ***	Watts	Wires	NEMA Plug	SST	BTUH	Ship Wt	Frts Cls	
GLDS4R	48.75	51.00	3.50	Remote(Type I)	Circuit #1	110-120	1	60	1.53	106	2+G	Leads Multiple	20.00	1,365	950	110
				Self-Contained	Circuit #1	110-120	1	60	11.79	1,113	2+G	5-20P or L5-20P	N/A	N/A		
GLDS5R	60.63	62.88	3.50	Remote(Type I)	Circuit #1	110-120	1	60	1.99	168	2+G	Leads Multiple	20.00	1,815	1,150	110
				Self-Contained	Circuit #1	110-120	1	60	14.25	1,315	2+G	5-20P or L5-20P	N/A	N/A		
GLDS6R	73.13	75.38	3.50	Remote(Type I)	Circuit #1	110-120	1	60	1.99	168	2+G	Leads Multiple	20.00	2,050	1,150	110
				Self-Contained	Circuit #1	110-120	1	60	14.25	1,315	2+G	5-20P or L5-20P	N/A	N/A		
GLDS8R	97.50	99.75	3.50	Remote(Type I)	Circuit #1	110-120	1	60	2.29	216	2+G	Leads Multiple	20.00	2,625	1,450	110
				Self-Contained	Circuit #1	110-120	1	60	16.00	1,475	2+G	5-20P or L5-20P	N/A	N/A		
GLDS10R	121.13	123.38	80.63	Remote(Type I)	Circuit #1	110-120	1	60	3.28	276	2+G	Leads Multiple	20.00	3,230	N/A	110
				Self-Contained	Circuit #1	110-120	1	60	16.00	1,651	2+G	5-20P or L5-20P	N/A	N/A		
GLDS12R	146.25	148.50	101.13	Remote(Type I)	Circuit #1	110-120	1	60	3.12	294	2+G	Leads Multiple	20.00	4,000	N/A	110
				Self-Contained	Circuit #1	110-120	1	60	16.00	1,653	2+G	5-20P or L5-20P	N/A	N/A		

*** Does not include electric defrost on freezer models.

Regulatory Approvals:

All Models	Accordance with AHRI Std 1200 ETL Listed to UL 471 ETL Listed to CAN/CSA 22.2 No. 120 UL Sanitation to NSF Std 7
------------	---

Important Notes:

- 1) ELECTRICAL NOTE: If GFCI is required, a GFCI breaker MUST be used in lieu of a GFCI receptacle
- 2) Units are supplied with levelers. They must be adjusted during installation to ensure the unit is level and plumb. Dimensions reflect levelers extended 1/4"

