

Product Specifications

Refrigerated Self-Service Single Deck Case



MODEL SHOWN GLDSS4R

NOTE: SHOWN W/ OPTIONAL CUTAWAY END PANEL

Lengths include 1-1/8" end panels

- GLDSS4R 51"L x 47"D x 34-1/2"H
- GLDSS5R 62-7/8"L x 47"D x 34-1/2"H
- GLDSS6R 75-3/8"L x 47"D x 34-1/2"H
- GLDSS8R 99-3/4"L x 47"D x 34-1/2"H
- GLDSS10R 123-3/8"L x 47"D x 34-1/2"H
- GLDSS12R 148-1/2"L x 47"D x 34-1/2"H

STANDARD FEATURES

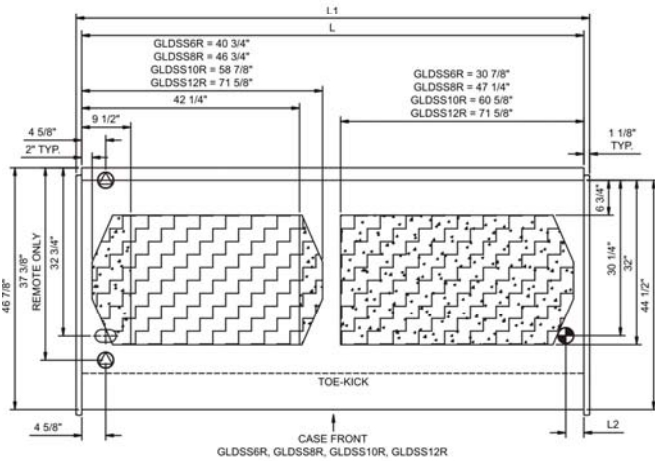
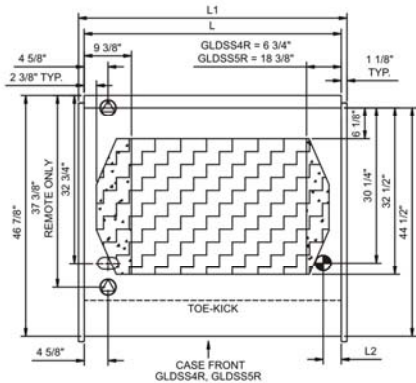
- Breeze™ w/EnergyWise s/c refrigeration
- Compressor air intake from rear and out front panel at toe kick. Front panel cannot be blocked.
- Corrosion resistant stainless steel tub & fan shroud
- Integrated average product temperature of 40°F or less
- One year parts & labor; 5 year compressor warranty

Features	Standard	Options
UPPER REAR LEDGE	<input type="checkbox"/> Black Sanalite®	<input type="checkbox"/> Solid surface (specify color) <input type="checkbox"/> Stainless steel <input type="checkbox"/> White Sanalite®
EXTERIOR COLOR	<input type="checkbox"/> Laminated (non-premium) Confirm pattern/grain direction	<input type="checkbox"/> Laminated (premium) Confirm pattern/grain direction <input type="checkbox"/> Stainless steel
INTERIOR COLOR	<input type="checkbox"/> Black	<input type="checkbox"/> Stainless steel <input type="checkbox"/> White
REAR EXTERIOR COLOR	<input type="checkbox"/> Stainless steel	<input type="checkbox"/> Painted - Black <input type="checkbox"/> Painted - White
BASE	<input type="checkbox"/> Casters w/ levelers (n/a w/ remote ref.)	<input type="checkbox"/> 6"H legs
END PANEL LEFT	<input type="checkbox"/> Full end panel w/mirror interior	<input type="checkbox"/> Cutaway w/acrylic end panel <input type="checkbox"/> No end panel (for same case to case connections)
END PANEL RIGHT	<input type="checkbox"/> Full end panel w/mirror interior	<input type="checkbox"/> Cutaway w/acrylic end panel <input type="checkbox"/> No end panel (for same case to case connections)
LOWER FRONT PANEL	<input type="checkbox"/> Painted - Black	<input type="checkbox"/> Stainless steel
ELECTRICAL CONNECT	<input type="checkbox"/> 6' straight blade power cord (self-cont.)	<input type="checkbox"/> 6' locking power cord (self-cont.) <input type="checkbox"/> Electrical leads (remote)
REFRIGERATION	<input type="checkbox"/> Breeze™ w/EnergyWise s/c refrigeration	<input type="checkbox"/> NOTE: Remote only available w/rail base w/shims. N/A w/ levelers, casters or legs. <input type="checkbox"/> Note: Remote doesn't incl Conds unit. Floor drain reqd. <input type="checkbox"/> Remote w/thermostat, solenoid & TXV
MISCELLANEOUS		<input type="checkbox"/> Refrigerated rear storage (remote only) w/ sneeze guard <input type="checkbox"/> Second year parts & labor warranty (excludes compressor)
ACCESSORIES		<input type="checkbox"/> 2"H Full depth display riser(s) <input type="checkbox"/> Clean Sweep® coil cleaner (n/a w/remote)

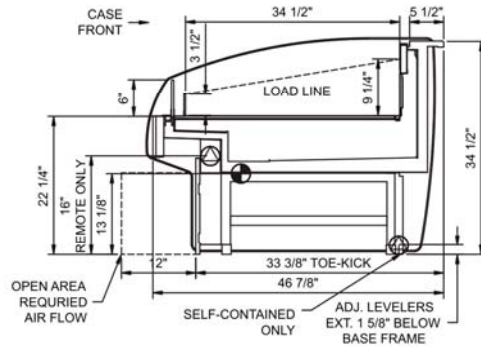
Product Specifications

Intended Environment: Type I - Designed to operate in ambient conditions of 75°F with 55% relative humidity unless noted otherwise in system information below.	
Zone	Intended Product To Be Displayed
All	Packaged refrigerated products
Integrated Prod Temp ° F	
40	

PLAN VIEW



SIDE VIEW



NOTE: ALL DIMENSIONS APPROXIMATE

- ELECTRICAL JUNCTION BOX (SUPPLIED WITH 6" LEADS OR POWER CORD).
- REMOTE FLOOR SINK & UTILITIES ACCESS AREA.
- LOCATION OF DRAIN TUBE FOR REMOTE REF. ONLY (SUPPLIED WITH 3/4" OR 1 1/2" PVC TUBE).
- SELF-CONTAINED CASE SERVICE ACCESS AREA.
- REFRIGERATION LINE CONNECTION.
- DRY CASE SERVICE ACCESS AREA.

Model Technical Specifications

Model	L"	L1"	L2"	System Circuit Volts	Phs	Freq	Amps ***	Watts	Wires	NEMA Plug	SST	BTUH	Ship Wt	Frts Cls		
GLDSS4R	48.75	51.00	3.50	Remote(Type I)	Circuit #1	110-120	1	60	0.66	58	2+G	Leads Multiple	20.00	2,700	700	110
				Self-Contained	Circuit #1	110-120	1	60	12.00	1,189	2+G	5-20P or L5-20P	N/A	N/A		
GLDSS5R	60.63	62.88	3.50	Remote(Type I)	Circuit #1	110-120	1	60	0.71	42	2+G	Leads Multiple	20.00	3,495	800	110
				Self-Contained	Circuit #1	110-120	1	60	15.07	1,385	2+G	5-20P or L5-20P	N/A	N/A		
GLDSS6R	73.13	75.38	3.50	Remote(Type I)	Circuit #1	110-120	1	60	1.14	93	2+G	Leads Multiple	20.00	4,050	850	110
				Self-Contained	Circuit #1	110-120	1	60	15.50	1,436	2+G	5-20P or L5-20P	N/A	N/A		
GLDSS8R	97.50	99.75	3.50	Remote(Type I)	Circuit #1	110-120	1	60	1.33	115	2+G	Leads Multiple	20.00	5,450	1,000	110
				Self-Contained	Circuit #1	110-120	1	60	15.69	1,458	2+G	5-20P or L5-20P	N/A	N/A		
GLDSS10R	121.13	123.38	80.63	Remote(Type I)	Circuit #1	110-120	1	60	1.93	143	2+G	Leads Multiple	20.00	6,810	1,150	110
				Self-Contained	Circuit #1	208-240	1	60	10.76	1,730	2+G	6-20P or L6-20P	N/A	N/A		
GLDSS12R	146.25	148.50	101.13	Remote(Type I)	Circuit #1	110-120	1	60	1.72	108	2+G	Leads Multiple	20.00	8,020	1,350	110
				Self-Contained	Circuit #1	208-240	1	60	10.83	1,759	2+G	6-20P or L6-20P	N/A	N/A		

*** Does not include electric defrost on freezer models.

Regulatory Approvals:	
All Models	Accordance with AHRI Std 1200 ETL Listed to UL 471 ETL Listed to CAN/CSA 22.2 No. 120 ETL Sanitation to NSF 7

Important Notes:

- ELECTRICAL NOTE: If GFCI is required, a GFCI breaker MUST be used in lieu of a GFCI receptacle
- Units are supplied with levelers. They must be adjusted during installation to ensure units is level and plumb. Dimensions reflect levelers extended 1 1/4".



In Accordance with
AHRI Std 1200

DOE 2012
Energy Efficiency
Compliant