

## Product Specifications

### Refrigerated Service Case



MODEL SHOWN: GMDS4R

NOTE: SHOWN W/ OPTIONAL CUTAWAY END PANEL

Lengths include 1-1/8" end panels

- GMDS4R 51"L x 42-3/4"D x 51-1/4"H
- GMDS5R 62-7/8"L x 42-3/4"D x 51-1/4"H
- GMDS6R 75-3/8"L x 42-3/4"D x 51-1/4"H
- GMDS8R 99-3/4"L x 42-3/4"D x 51-1/4"H
- GMDS12R 148-1/2"L x 42-3/4"D x 51-1/4"H

### STANDARD FEATURES

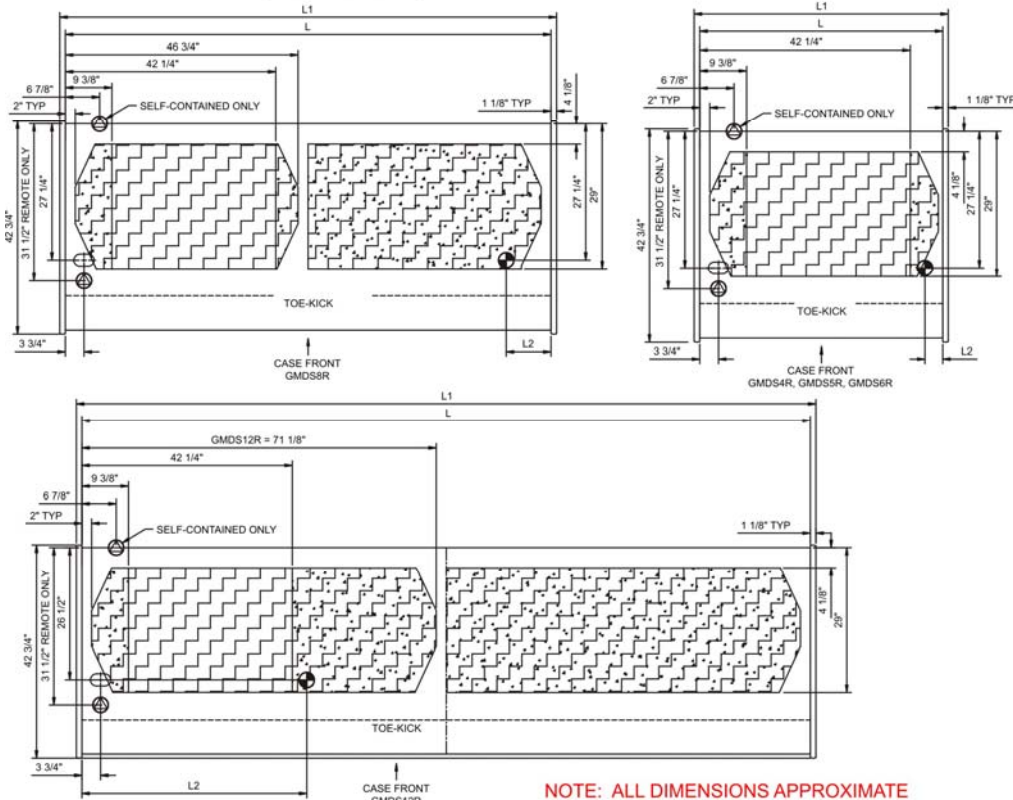
- Breeze™ w/EnergyWise s/c refrigeration
- Compressor air intake from rear and out front panel at toe kick. Front panel cannot be blocked.
- Condensate pan (self-contained refrig. only)
- Flat upper front panel
- Integrated average product temperature of 40°F or less
- One year parts & labor; 5 year compressor warranty
- Stainless steel rear exterior
- T-8 top light

Features	Standard	Options
<b>EXTERIOR COLOR</b>	<input type="checkbox"/> Laminated (non-premium) Confirm pattern/grain direction	<input type="checkbox"/> Laminated (premium) Confirm pattern/grain direction <input type="checkbox"/> Stainless steel
<b>INTERIOR COLOR</b>	<input type="checkbox"/> Black	<input type="checkbox"/> Stainless steel <input type="checkbox"/> White
<b>LOWER FRONT PANEL COLOR</b>	<input type="checkbox"/> Painted - Black	<input type="checkbox"/> Stainless steel
<b>TRIM COLOR</b>	<input type="checkbox"/> Black	<input type="checkbox"/> Silver
<b>BASE</b>	<input type="checkbox"/> Casters w/ levelers	<input type="checkbox"/> 6"H legs
<b>END PANEL LEFT</b>	<input type="checkbox"/> Full end panel w/mirror interior (No mirror w/ss ext)	<input type="checkbox"/> Cutaway with glass <input type="checkbox"/> No end panel (for same case to case connections)
<b>END PANEL RIGHT</b>	<input type="checkbox"/> Full end panel w/mirror interior (No mirror w/ss ext)	<input type="checkbox"/> Cutaway with glass <input type="checkbox"/> No end panel (for same case to case connections)
<b>FRONT GLASS</b>	<input type="checkbox"/> Curved single pane, lift-up front glass w/o lock	<input type="checkbox"/> Flat angled single pane, lift-up front glass w/o lock
<b>UPPER REAR</b>	<input type="checkbox"/> Clear glass rear sliding doors w/o lock	<input type="checkbox"/> Reflective glass rear sliding doors w/o lock
<b>SHELVING</b>	<input type="checkbox"/> Solid shelf, lighted (T-8)	<input type="checkbox"/> Solid shelf, lighted (LED)
<b>ELECTRICAL CONNECT</b>	<input type="checkbox"/> 6' straight blade power cord (self cont.)	<input type="checkbox"/> 6' locking power cord (self cont.) <input type="checkbox"/> Electrical leads (remote)
<b>REFRIGERATION</b>	<input type="checkbox"/> Breeze™ w/EnergyWise s/c refrigeration	<input type="checkbox"/> NOTE: Remote only available w/rail base w/shims. N/A w/ levelers, casters or legs. <input type="checkbox"/> Note: Remote doesn't incl Conds unit. Floor drain reqd. <input type="checkbox"/> Remote w/thermostat, solenoid & TXV
<b>MISCELLANEOUS</b>		<input type="checkbox"/> Front glass lock <input type="checkbox"/> Rear door lock <input type="checkbox"/> Scale stand w/receptacle (requires separate circuit) <input type="checkbox"/> Second year parts & labor warranty (excludes compressor)
<b>ACCESSORIES</b>		<input type="checkbox"/> 2"H Full depth display risers (n/a w/shelf) <input type="checkbox"/> Angled display steps (n/a w/shelf) <input type="checkbox"/> Clean Sweep® coil cleaner (n/a w/remote) <input type="checkbox"/> Rear wrapping board, white Sanalit®

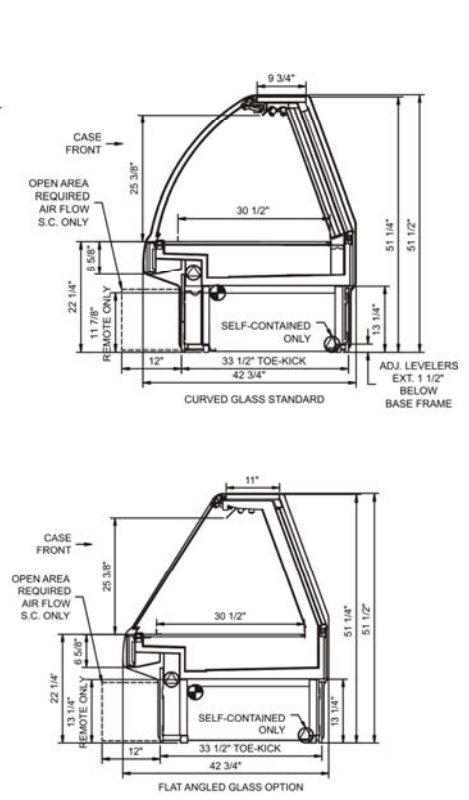
## Product Specifications

<b>Intended Environment:</b> Type I - Designed to operate in ambient conditions of 75°F with 55% relative humidity unless noted otherwise in system information below.	
<b>Zone</b>	<b>Integrated Prod Temp ° F</b>
All	40

**PLAN VIEW**



**SIDE VIEW**



**NOTE: ALL DIMENSIONS APPROXIMATE**

- ELECTRICAL JUNCTION BOX (SUPPLIED WITH 6" LEADS OR POWER CORD).**
- REFRIGERATION LINE CONNECTION.**
- REMOTE FLOOR SINK & UTILITIES ACCESS AREA.**
- SELF-CONTAINED CASE SERVICE ACCESS AREA.**
- DRY CASE SERVICE ACCESS AREA.**
- LOCATION OF DRAIN TUBE FOR REMOTE REF. ONLY (SUPPLIED WITH 3/4" OR 1 1/2" PVC TUBE).**

**Model Technical Specifications**

Model	L"	L1"	L2"	System Circuit Volts	Phs	Freq	Amps ***	Watts	Wires	NEMA Plug	SST	BTUH	Ship Wt	Frt CIs		
GMD54R	48.75	51.00	3.50	Remote(Type I)	Circuit #1	110-120	1	60	2.06	202	2+G	Leads Multiple	20.0	1,500	950	110
				Self-Contained	Circuit #1	110-120	1	60	12.00	1,208	2+G	5-15P or L5-15P	N/A	N/A		
GMD55R	60.63	62.88	3.50	Remote(Type I)	Circuit #1	110-120	1	60	2.68	248	2+G	Leads Multiple	20.0	2,000	1,150	110
				Self-Contained	Circuit #1	110-120	1	60	12.00	1,270	2+G	5-15P or L5-15P	N/A	N/A		
GMD56R	73.13	75.38	3.50	Remote(Type I)	Circuit #1	110-120	1	60	3.35	338	2+G	Leads Multiple	20.0	2,350	1,450	110
				Self-Contained	Circuit #1	110-120	1	60	15.90	1,680	2+G	5-20P or L5-20P	N/A	N/A		
GMD58R	97.50	99.75	9.00	Remote(Type I)	Circuit #1	110-120	1	60	3.42	344	2+G	Leads Multiple	20.0	3,150	1,450	110
				Self-Contained	Circuit #1	110-120	1	60	16.00	1,686	2+G	5-20P or L5-20P	N/A	N/A		
GMD512R	146.25	148.50	45.13	Remote(Type I)	Circuit #1	110-120	1	60	5.48	546	2+G	Leads Multiple	20.0	4,250	2,150	110
				Self-Contained	Circuit #1	110-120	1	60	16.00	1,820	2+G	5-20P or L5-20P	N/A	N/A		

\*\*\* Does not include electric defrost on freezer models.

**Important Notes:**

- 1) ELECTRICAL NOTE: If GFCI is required, a GFCI breaker MUST be used in lieu of a GFCI receptacle
- 2) 45" minimum door entry clearance required (without shipping skid).
- 3) Units are supplied with levelers. They must be adjusted during installation to ensure the unit is level and plumb. Dimensions reflect levelers extended 1 1/4".

**Regulatory Approvals:**

All Models	Accordance with AHRI Std 1200 ETL Listed to UL 471 ETL Listed to CAN/CSA 22.2 No. 120 ETL Sanitation to NSF 7
------------	--

