

## Product Specifications

### Refrigerated Service Case w/ Gravity Coil & Platter Coil

Lengths include 1-1/8" end panels

- GMG4
- GMG6
- GMG8

51"L x 42-3/4"D x 51-1/4"H  
 75-3/8"L x 42-3/4"D x 51-1/4"H  
 99-3/4"L x 42-3/4"D x 51-1/4"H



MODEL SHOWN: GMG4

NOTE: SHOWN W/ OPTIONAL CUTAWAY END PANEL

#### STANDARD FEATURES

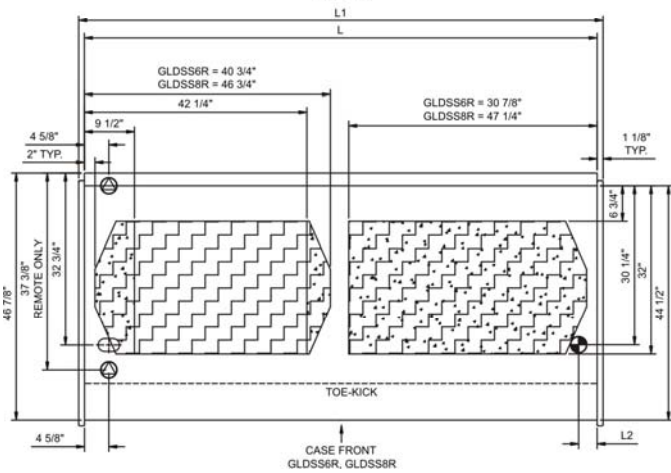
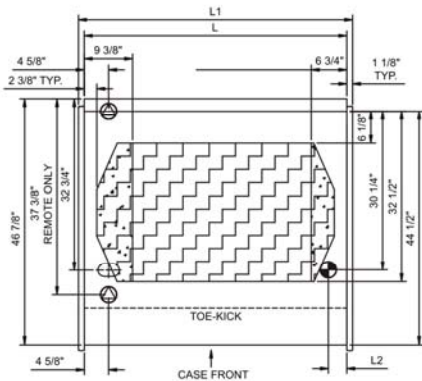
- Breeze™ w/EnergyWise s/c refrigeration
- Compressor air intake from rear and out front panel at toe kick. Front panel cannot be blocked.
- Integrated average product temperature of 38°F or less
- One year parts & labor; 5 year compressor warranty
- Stainless steel Interior
- Stainless steel rear exterior
- T-8 top light

| Features                  | Standard   | Options   |
|---------------------------|--|---|
| <b>EXTERIOR COLOR</b>     | <input type="checkbox"/> Laminated (non-premium) Confirm pattern/grain direction | <input type="checkbox"/> Laminated (premium) Confirm pattern/grain direction<br><input type="checkbox"/> Stainless steel  |
| <b>TRIM COLOR</b>         | <input type="checkbox"/> Black   | <input type="checkbox"/> Silver   |
| <b>BASE</b>               | <input type="checkbox"/> Casters w/ levelers (n/a w/ remote ref.)                | <input type="checkbox"/> 6"H legs   |
| <b>END PANEL LEFT</b>     | <input type="checkbox"/> Full end panel w/mirror interior                        | <input type="checkbox"/> Cutaway with glass   |
| <b>END PANEL RIGHT</b>    | <input type="checkbox"/> Full end panel w/mirror interior                        | <input type="checkbox"/> Cutaway with glass   |
| <b>FRONT GLASS</b>        | <input type="checkbox"/> Curved single pane, lift-up front glass w/o lock        | <input type="checkbox"/> Flat angled single pane, lift-up front glass w/o lock  |
| <b>LOWER FRONT PANEL</b>  | <input type="checkbox"/> Painted - Black   | <input type="checkbox"/> Stainless steel  |
| <b>UPPER REAR</b>         | <input type="checkbox"/> Clear glass rear sliding doors w/o lock                 | <input type="checkbox"/> Reflective glass rear sliding doors w/o lock   |
| <b>ELECTRICAL CONNECT</b> | <input type="checkbox"/> 6' straight blade power cord (self-cont.)               | <input type="checkbox"/> 6' locking power cord (self-cont.)<br><input type="checkbox"/> Electrical leads (remote)   |
| <b>REFRIGERATION</b>      | <input type="checkbox"/> Breeze™ w/EnergyWise s/c refrigeration                  | <input type="checkbox"/> NOTE: Remote only available w/rail base w/shims. N/A w/ levelers, casters or legs.<br><input type="checkbox"/> Note: Remote doesn't incl Conds unit. Floor drain reqd.<br><input type="checkbox"/> Remote w/thermostat, solenoid & TXV   |
| <b>MISCELLANEOUS</b>      |  | <input type="checkbox"/> Front glass lock<br><input type="checkbox"/> Ice pans for seafood application, requires floor drain<br><input type="checkbox"/> Rear door lock<br><input type="checkbox"/> Scale stand w/receptacle (requires separate circuit)<br><input type="checkbox"/> Second year parts & labor warranty (excludes compressor) |
| <b>ACCESSORIES</b>        |  | <input type="checkbox"/> Clean Sweep® coil cleaner (n/a w/remote)<br><input type="checkbox"/> Rear wrapping board   |

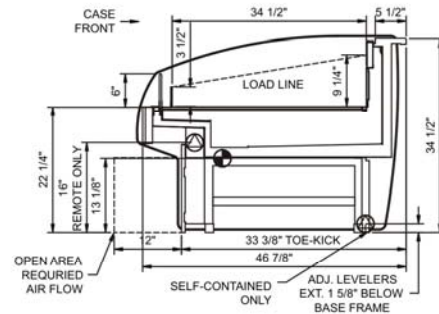
## Product Specifications

|  |                                 |
|--|---------------------------------|
| <b>Intended Environment:</b> Type I - Designed to operate in ambient conditions of 75°F with 55% relative humidity unless noted otherwise in system information below. |                                 |
| <b>Zone</b>  | <b>Integrated Prod Temp ° F</b> |
| All  | 38                              |

**PLAN VIEW**



**SIDE VIEW**



**NOTE: ALL DIMENSIONS APPROXIMATE**

- ELECTRICAL JUNCTION BOX (SUPPLIED WITH 6" LEADS OR POWER CORD).
- LOCATION OF DRAIN TUBE FOR REMOTE REF. ONLY (SUPPLIED WITH 3/4" OR 1 1/2" PVC TUBE).
- REFRIGERATION LINE CONNECTION.
- REMOTE FLOOR SINK & UTILITIES ACCESS AREA.
- SELF-CONTAINED CASE SERVICE ACCESS AREA.
- DRY CASE SERVICE ACCESS AREA.

**Model Technical Specifications**

| Model | L"    | L1"   | L2" | System Circuit Volts | Phs        | Freq    | Amps *** | Watts | Wires | NEMA Plug | SST | BTUH            | Ship Wt | Frt Cls |       |     |
|-------|-------|-------|-----|----------------------|------------|---------|----------|-------|-------|-----------|-----|-----------------|---------|---------|-------|-----|
| GMG4  | 48.75 | 51.00 | .00 | Remote(Type I)       | Circuit #1 | 110-120 | 1        | 60    | 1.23  | 124       | 2+G | Leads Multiple  | 18.0    | 1,600   | 950   | 110 |
|       |       |       |     | Self-Contained       | Circuit #1 | 110-120 | 1        | 60    | 11.60 | 1,126     | 2+G | 5-20P or L5-20P | N/A     | N/A     |       |     |
| GMG6  | 73.13 | 75.38 | .00 | Remote(Type I)       | Circuit #1 | 110-120 | 1        | 60    | 1.46  | 160       | 2+G | Leads Multiple  | 18.0    | 2,360   | 1,150 | 110 |
|       |       |       |     | Self-Contained       | Circuit #1 | 110-120 | 1        | 60    | 11.90 | 1,162     | 2+G | 5-20P or L5-20P | N/A     | N/A     |       |     |
| GMG8  | 97.50 | 99.75 | .00 | Remote(Type I)       | Circuit #1 | 110-120 | 1        | 60    | 1.69  | 188       | 2+G | Leads Multiple  | 18.0    | 3,150   | 1,450 | 110 |
|       |       |       |     | Self-Contained       | Circuit #1 | 110-120 | 1        | 60    | 13.70 | 1,302     | 2+G | 5-20P or L5-20P | N/A     | N/A     |       |     |

\*\*\* Does not include electric defrost on freezer models.

**Important Notes:**

- 1) ELECTRICAL NOTE: If GFCI is required, a GFCI breaker MUST be used in lieu of a GFCI receptacle
- 2) Units are supplied with levelers. They must be adjusted during installation to ensure the unit is level and plumb. Dimensions reflect levelers extended 1 1/4"

**Regulatory Approvals:**

|            |  |
|------------|--|
| All Models | Accordance with AHRI Std 1200<br>ETL Listed to UL 471<br>ETL Listed to CAN/CSA 22.2 No. 120<br>ETL Sanitation to NSF 7 |
|------------|--|



In Accordance with  
**AHRI Std 1200**

**DOE 2012**  
Energy Efficiency  
Compliant