

PRODUCT SPECIFICATIONS

Combination Convertible Service Above Refrigerated Self-Service Case - 50 HZ Electrical



MODEL SHOWN: HMBC4Z

NOTE: NON-DIVIDED UPPER DISPLAY AREA - HMBC2Z & HMBC3Z
 DIVIDED UPPER DISPLAY AREA - HMBC4Z, HMBC5Z & HMBC6Z

<input type="checkbox"/> HMBC2Z	26 7/8"L x 34 1/16"D x 56 1/4"H
<input type="checkbox"/> HMBC3Z	38 7/8"L x 34 1/16"D x 56 1/4"H
<input type="checkbox"/> HMBC4Z	50 7/8"L x 34 1/16"D x 56 1/4"H
<input type="checkbox"/> HMBC5Z	62 11/16"L x 34 1/16"D x 56 1/4"H
<input type="checkbox"/> HMBC6Z	75 1/4"L x 34 1/16"D x 56 1/4"H

STANDARD FEATURES

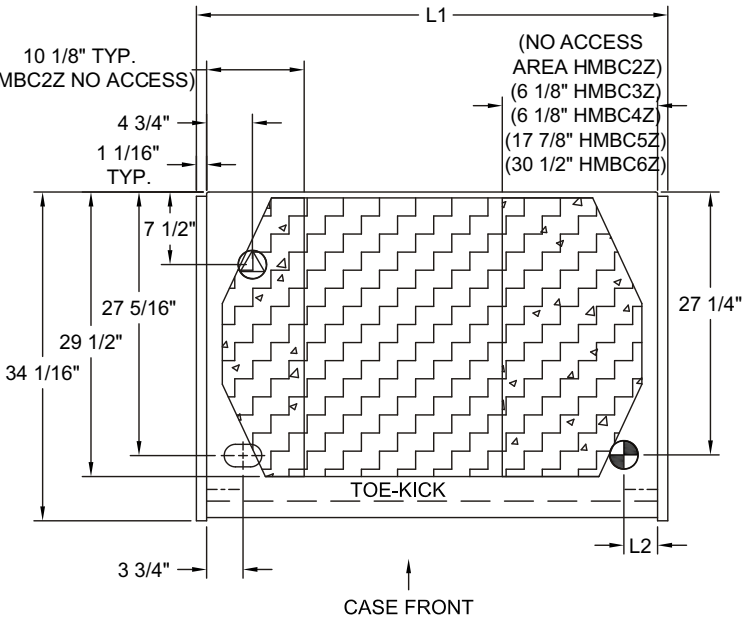
- Electrical connect-Electrical leads (self-cont.)
- Light-T-8 top & shelf light(s)
- Rear swinging door on 26" model and rear sliding doors on all other models.
- Temp-Integrated average product temperature of 40°F
- Warranty-One year parts & labor; 1-5 year compressor warranty
- Compressor air-Compressor air rear intake, front discharge. Toe kick cannot be blocked
- Evaporator pan-Condensate pan (self-contained refrigeration only)
- Upper display-Convertible baffle in upper display
- Upper front-Curved double pane, lift-up front glass w/o lock
- Lower front-Flat front panel

	STANDARD SPECIFICATION	OPTION(S)
LOWER DISPLAY	<input type="checkbox"/> Single display deck	<input type="checkbox"/> 4"H Full depth display riser(s) <input type="checkbox"/> 2"H Full depth display riser(s) <input type="checkbox"/> Bottle slide, gravity feed <input type="checkbox"/> Angled deck (n/a w/display step/riser)
UPPER DISPLAY	<input type="checkbox"/> Clear glass shelf, lighted	<input type="checkbox"/> Additional clear glass shelf, lighted
UPPER REAR	<input type="checkbox"/> Clear glass rear sliding doors w/o lock (26" model swinging - specify LH or RH hinge)	<input type="checkbox"/> Reflective glass rear sliding doors w/o lock (26" model swinging - specify LH or RH hinge) <input type="checkbox"/> Reflective glass rear sliding doors w/lock (26" model swinging - specify LH or RH hinge) <input type="checkbox"/> Clear glass rear sliding doors w/lock (26" model swinging - specify LH or RH hinge)
INTERIOR COLOR	<input type="checkbox"/> Black interior	<input type="checkbox"/> Stainless Steel interior <input type="checkbox"/> White interior
TRIM COLOR	<input type="checkbox"/> Black trim	<input type="checkbox"/> Silver trim
EXTERIOR COLOR	<input type="checkbox"/> Laminated (non-premium) Confirm pattern/grain direction <input type="checkbox"/> Note: Upper & lower rear areas white	<input type="checkbox"/> Stainless steel exterior (includes rear of case) <input type="checkbox"/> Laminated (premium) Confirm pattern/grain direction
COVER/CURTAIN	<input type="checkbox"/> None	<input type="checkbox"/> Wire security cover, removable, locking <input type="checkbox"/> Night curtain, retractable, non-locking
REFRIGERATION	<input type="checkbox"/> Breeze™ s/c refrigeration	<input type="checkbox"/> Note: Remote doesn't incl Conds unit. Floor drain reqd. <input type="checkbox"/> Remote w/thermostat, solenoid & TXV <input type="checkbox"/> Remote DX refrigeration
BASE SUPPORT	<input type="checkbox"/> Levelers	<input type="checkbox"/> 6"H legs <input type="checkbox"/> Casters (n/a with remote)
TOE KICK	<input type="checkbox"/> Toe kick, black	<input type="checkbox"/> Toe kick, stainless steel
END PANEL LEFT	<input type="checkbox"/> Cutaway end panel	
END PANEL RIGHT	<input type="checkbox"/> Cutaway end panel	
LOWER REAR	<input type="checkbox"/> Solid back panel	<input type="checkbox"/> Rear sliding doors w/o lock (26" model swinging - specify LH or RH hinge) <input type="checkbox"/> Rear sliding doors w/lock (26" model swinging - specify LH or RH hinge)
REAR WRAPPING BOARD	<input type="checkbox"/> None	<input type="checkbox"/> Rear wrapping board (n/a w/lower rear doors)
BUMPER	<input type="checkbox"/> None	<input type="checkbox"/> 1" bumper on front (specify color)

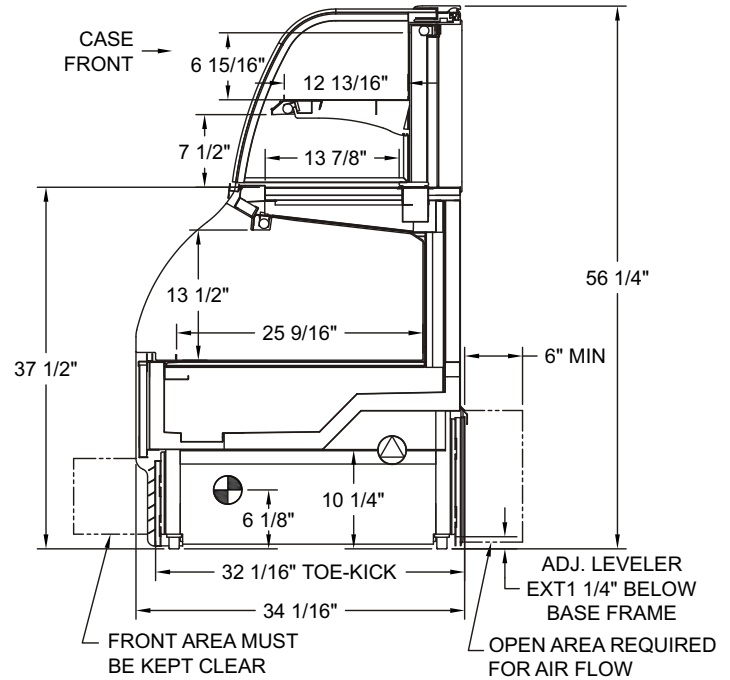
PRODUCT SPECIFICATIONS

Intended Use of Display Area: Packaged refrigerated products
 Integrated Product Temperature (IPT): 41°F
 Intended Environment: Designed to operate in ambient conditions of 75°F / 55% relative humidity.

PLAN VIEW



SIDE VIEW



NOTE: ALL DIMENSIONS APPROXIMATE

- ELECTRICAL JUNCTION BOX (SUPPLIED WITH 6" LEADS OR POWER CORD).
- REMOTE CASE SERVICE ACCESS AREA.
- LOCATION OF CONDENSATE DRAIN TUBE (SUPPLIED WITH 3/4" OR 1 1/2" PVC DRAIN TUBE).
- SELF-CONTAINED CASE SERVICE ACCESS AREA.
- REFRIGERATION LINE CONNECTION.
- DRY CASE SERVICE ACCESS AREA.

Model	Self-Contained Refrigeration/Dry					Remote Refrigeration w/Leads			Ship Wt	Frt Cls
	L1*	L2*	Volts++	Amps	NEMA Plug	Volts++	Amps***	BTUH		
HMBC2Z	26 7/8	4 3/4	220/1/50	8.445	Leads	220/1/50	0.98	2900	710	110
HMBC3Z	38 7/8	4 3/4	220/1/50	10.445	Leads	220/1/50	1.18	4800	800	110
HMBC4Z	50 7/8	4 3/4	220/1/50	13.23	Leads	220/1/50	1.88	6100	950	110
HMBC5Z	62 11/16	4 3/4	220/1/50	16.135	Leads	220/1/50	2.31	7300	1200	110
HMBC6Z	75 1/4	4 3/4	220/1/50	16.025	Leads	220/1/50	2.5	8000	1250	110

++ Operating range for 120 volt rating is 110-120 volts; operating range for 220 volt rating is 208-230 volts.

** Requires 3 wires + ground

*** Does not include electric defrost on freezer models

REGULATORY APPROVALS

- ETL Listed Certified to CAN/CSA 22.2 in process
- ETL Listed Conforms to UL 471 in process
- ETL Sanitation Conforms to NSF 7 in process

Important Note:

- 1) 35" minimum door entry clearance required (without shipping skid).
- 2) Units are supplied with levelers. They must be adjusted during installation to ensure the unit is level and plumb.