

ITEM NO. \_\_\_\_\_  
 PROJECT: \_\_\_\_\_  
 DATE: \_\_\_\_\_

Refrigerated Service Case - 50 HZ  
 Electrical



MODEL SHOWN: HMG2653RZ

- HMG2653RZ 26 7/8"L x 34 3/4"D x 52 5/8"H
- HMG3953RZ 38 7/8"L x 32 1/8"D x 52 5/8"H
- HMG5153RZ 50 7/8"L x 32 1/8"D x 52 5/8"H
- HMG6353RZ 62 11/16"L x 32 1/8"D x 52 5/8"H
- HMG7553RZ 75 1/4"L x 32 1/8"D x 52 5/8"H

### STANDARD FEATURES

- Rear swinging door on 26" model and rear sliding doors on all other models.
- Light-T-8 top & shelf light(s)
- Warranty-One year parts & labor; 1-5 year compressor warranty
- Compressor air-Compressor air rear intake, front discharge. Toe kick cannot be blocked
- Temp-Integrated average product temperature of 41°F or less.
- Lower front-Flat front panel
- Shelves-Shelving removable and adjustable on 1" centers

	STANDARD SPECIFICATION	OPTION(s)
ELECTRICAL CONNECT	<input type="checkbox"/> Electrical leads (self-cont.)	<input type="checkbox"/> Electrical leads (remote)
UPPER REAR	<input type="checkbox"/> Clear glass rear sliding doors w/o lock (26" model swinging)	<input type="checkbox"/> Reflective glass rear sliding doors w/lock (26" model swinging) <input type="checkbox"/> Reflective glass rear sliding doors w/o lock (26" model swinging) <input type="checkbox"/> Clear glass rear sliding doors w/lock (26" model swinging)
INTERIOR COLOR	<input type="checkbox"/> Black interior	<input type="checkbox"/> White interior <input type="checkbox"/> Stainless Steel interior
TRIM COLOR	<input type="checkbox"/> Black trim	<input type="checkbox"/> Silver trim
EXTERIOR COLOR	<input type="checkbox"/> Laminated (non-premium) Confirm pattern/grain direction <input type="checkbox"/> Note: Upper & lower rear areas white	<input type="checkbox"/> Stainless steel exterior (includes rear of case) <input type="checkbox"/> Laminated (premium) Confirm pattern/grain direction
REFRIGERATION	<input type="checkbox"/> Breeze™ s/c refrigeration	<input type="checkbox"/> Note: Remote doesn't incl Conds unit. Floor drain reqd. <input type="checkbox"/> Remote w/thermostat, solenoid & TXV <input type="checkbox"/> Remote DX refrigeration
BASE SUPPORT	<input type="checkbox"/> Levelers	<input type="checkbox"/> 6"H legs <input type="checkbox"/> Casters (n/a with remote)
END PANEL LEFT	<input type="checkbox"/> Full end panel w/mirror interior	<input type="checkbox"/> Cutaway end panel
END PANEL RIGHT	<input type="checkbox"/> Full end panel w/mirror interior	<input type="checkbox"/> Cutaway end panel
FRONT GLASS	<input type="checkbox"/> Curved double pane, lift-up front glass w/o lock	<input type="checkbox"/> Curved double pane, lift-up front glass w/lock
SHELVING	<input type="checkbox"/> Clear glass shelves, lighted	
BUMPER	<input type="checkbox"/> None	<input type="checkbox"/> 1" bumper on front (specify color)

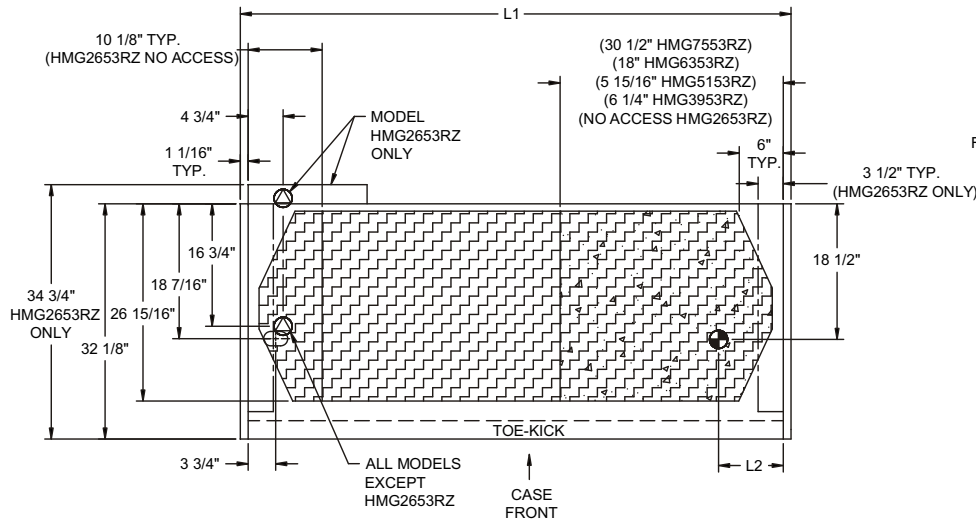
## PRODUCT SPECIFICATIONS

Intended Use of Display Area: Unpackaged refrigerated products

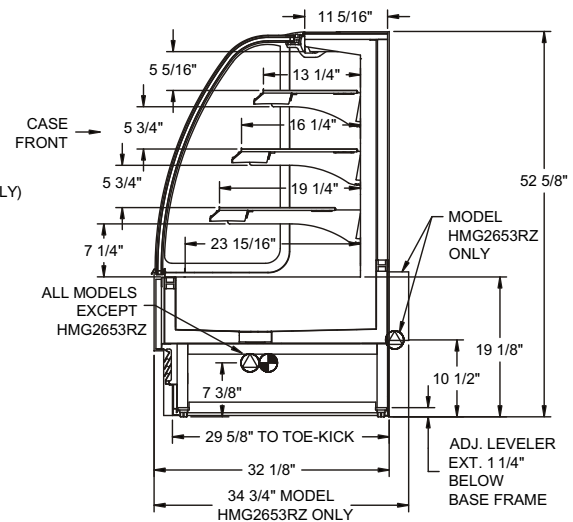
Integrated Product Temperature (IPT): 41°F

Intended Environment: Designed to operate in ambient conditions of 75°F / 55% relative humidity.

### PLAN VIEW



### SIDE VIEW



NOTE: ALL DIMENSIONS APPROXIMATE

- ELECTRICAL JUNCTION BOX (SUPPLIED WITH 6\"/>
- LOCATION OF CONDENSATE DRAIN TUBE (SUPPLIED WITH 3/4\"/>
- REFRIGERATION LINE CONNECTION.
- REMOTE CASE SERVICE ACCESS AREA.
- SELF-CONTAINED CASE SERVICE ACCESS AREA.
- DRY CASE SERVICE ACCESS AREA.

Model	Self-Contained Refrigeration/Dry					Remote Refrigeration w/Leads			Ship Wt	Frt CIs
	L1*	L2*	Volts++	Amps	NEMA Plug	Volts++	Amps***	BTUH		
HMG2653RZ	26 7/8	7	220/1/50	8.375	Leads	220/1/50	0.975	1758	650	110
HMG3953RZ	38 7/8	8 7/8	220/1/50	8.535	Leads	220/1/50	1.135	2053	880	110
HMG5153RZ	50 7/8	8 7/8	220/1/50	8.935	Leads	220/1/50	1.535	2256	900	110
HMG6353RZ	62 11/16	8 7/8	220/1/50	9.095	Leads	220/1/50	1.795	2648	990	110
HMG7553RZ	75 1/4	8 7/8	220/1/50	9.275	Leads	220/1/50	1.975	3283	1150	110

++ Operating range for 120 volt rating is 110-120 volts; operating range for 220 volt rating is 208-230 volts.

\*\* Requires 3 wires + ground

\*\*\* Does not include electric defrost on freezer models

### REGULATORY APPROVALS

- ETL Listed Certified to CAN/CSA 22.2 in process
- ETL Listed Conforms to UL 471 in process
- ETL Sanitation Conforms to NSF 7 in process

### Important Note:

- 1) 34" minimum door entry clearance required (without shipping skid).
- 2) Units are supplied with levelers. They must be adjusted during installation to ensure the unit is level and plumb. Dimensions reflect levelers extended 1 1/4".