

Non-Refrigerated Service Case - 50 HZ Electrical

- HMG2653Z 26 7/8"L x 34 3/4"D x 52 5/8"H
- HMG3953Z 38 7/8"L x 32 1/8"D x 52 5/8"H
- HMG5153Z 50 7/8"L x 32 1/8"D x 52 5/8"H
- HMG6353Z 62 11/16"L x 32 1/8"D x 52 5/8"H
- HMG7553Z 75 1/4"L x 32 1/8"D x 52 5/8"H



NOTE: SHOWN W/OPTIONAL GLASS SHELVES

MODEL SHOWN: HMG5153Z

STANDARD FEATURES

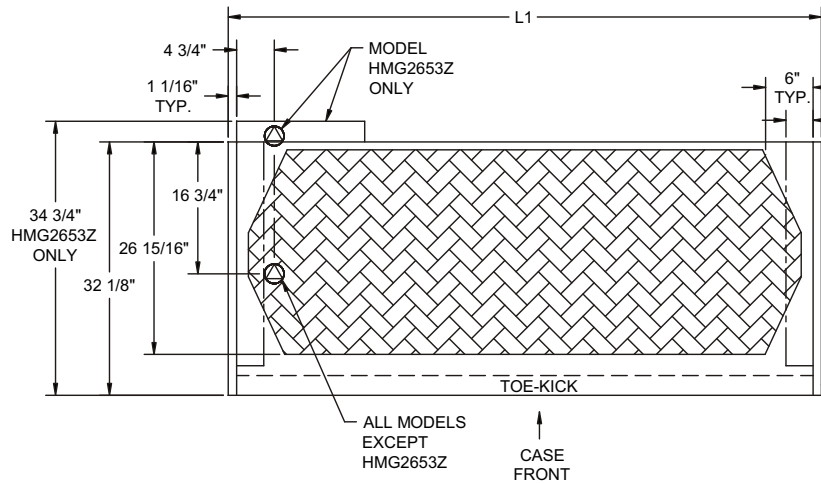
- Warranty-One year parts & labor warranty
- Rear swinging door on 26" model and rear sliding doors on all other models.
- Light-T-8 top & shelf light(s)
- Lower front-Flat front panel
- Shelves-Shelving removable and adjustable on 1" centers

	STANDARD SPECIFICATION	OPTION(S)
ELECTRICAL CONNECT	<input type="checkbox"/> Electrical leads (self-cont.)	<input type="checkbox"/> Electrical leads (remote)
UPPER REAR	<input type="checkbox"/> Clear glass rear sliding doors w/o lock (26" model swinging - specify LH or RH hinge)	<input type="checkbox"/> Reflective glass rear sliding doors w/o lock (26" model swinging - specify LH or RH hinge) <input type="checkbox"/> Reflective glass rear sliding doors w/lock (26" model swinging - specify LH or RH hinge) <input type="checkbox"/> Clear glass rear sliding doors w/lock (26" model swinging - specify LH or RH hinge)
INTERIOR COLOR	<input type="checkbox"/> Black interior	<input type="checkbox"/> White interior <input type="checkbox"/> Stainless Steel interior
TRIM COLOR	<input type="checkbox"/> Black trim	<input type="checkbox"/> Silver trim
EXTERIOR COLOR	<input type="checkbox"/> Laminated (non-premium) Confirm pattern/grain direction <input type="checkbox"/> Note: Upper & lower rear areas white	<input type="checkbox"/> Stainless steel exterior (includes rear of case) <input type="checkbox"/> Laminated (premium) Confirm pattern/grain direction
BASE SUPPORT	<input type="checkbox"/> Levelers	<input type="checkbox"/> 6"H legs <input type="checkbox"/> Casters (n/a with remote)
END PANEL LEFT	<input type="checkbox"/> Full end panel w/mirror interior	<input type="checkbox"/> Cutaway end panel
END PANEL RIGHT	<input type="checkbox"/> Full end panel w/mirror interior	<input type="checkbox"/> Cutaway end panel
FRONT GLASS	<input type="checkbox"/> Curved single pane, lift-up front glass w/o lock	<input type="checkbox"/> Curved single pane, lift-up front glass w/lock
SHELVING	<input type="checkbox"/> Wire rack(s), lighted	<input type="checkbox"/> Clear glass shelves, lighted
BUMPER	<input type="checkbox"/> None	<input type="checkbox"/> 1" bumper on front (specify color)

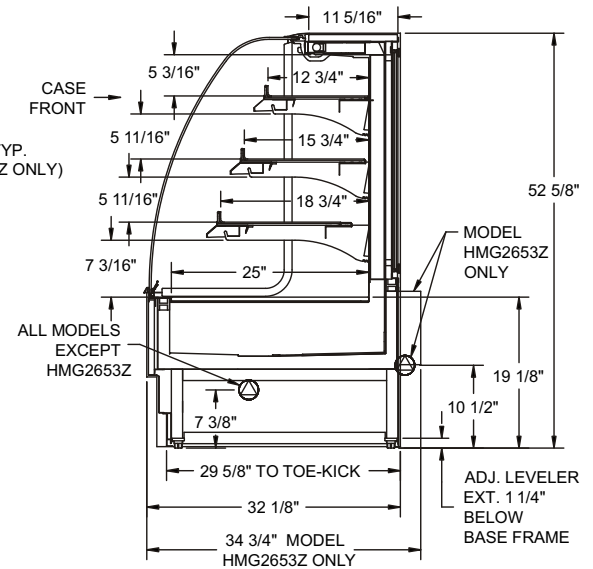
PRODUCT SPECIFICATIONS

Intended Use of Display Area: Unpackaged non-refrigerated products
 Integrated Product Temperature (IPT): Ambient°F
 Intended Environment:

PLAN VIEW



SIDE VIEW



NOTE: ALL DIMENSIONS APPROXIMATE

- ELECTRICAL JUNCTION BOX (SUPPLIED WITH 6" LEADS OR POWER CORD).
- REMOTE CASE SERVICE ACCESS AREA.
- LOCATION OF CONDENSATE DRAIN TUBE (SUPPLIED WITH 3/4" OR 1 1/2" PVC DRAIN TUBE).
- SELF-CONTAINED CASE SERVICE ACCESS AREA.
- REFRIGERATION LINE CONNECTION.
- DRY CASE SERVICE ACCESS AREA.

Model	Self-Contained Refrigeration/Dry					Remote Refrigeration w/Leads			Ship Wt	Frt Cls
	L1*	L2*	Volts++	Amps	NEMA Plug	Volts++	Amps***	BTUH		
HMG2653Z	26 7/8	0	220/1/50	0.43	Leads	N/A	N/A	N/A	550	125
HMG3953Z	38 7/8	0	220/1/50	0.43	Leads	N/A	N/A	N/A	700	125
HMG5153Z	50 7/8	0	220/1/50	0.43	Leads	N/A	N/A	N/A	870	125
HMG6353Z	62 11/16	0	220/1/50	0.66	Leads	N/A	N/A	N/A	900	125
HMG7553Z	75 1/4	0	220/1/50	0.75	Leads	N/A	N/A	N/A	1050	125

++ Operating range for 120 volt rating is 110-120 volts; operating range for 220 volt rating is 208-230 volts.

** Requires 3 wires + ground

*** Does not include electric defrost on freezer models

REGULATORY APPROVALS

- ETL Listed Conforms to UL 65
- ETL Sanitation Conforms to NSF 2

Important Note:

- 1) 34" minimum door entry clearance required (without shipping skid).
- 2) Units are supplied with levelers. They must be adjusted during installation to ensure the unit is level and plumb. Dimensions reflect levelers extended 1 1/4".