

Product Specifications

Refrigerated Self-Service Case



MODEL SHOWN: HMO5153R

Lengths include end panels

- HMO2653R 26-3/4"L x 34-1/8"D x 52-5/8"H
- HMO3953R 38-3/4"L x 34-1/8"D x 52-5/8"H
- HMO5153R 50-3/4"L x 34-1/8"D x 52-5/8"H
- HMO6353R 62-5/8"L x 34-1/8"D x 52-5/8"H
- HMO7553R 75-1/8"L x 34-1/8"D x 52-5/8"H

STANDARD FEATURES

- Breeze™ w/EnergyWise s/c refrigeration
- Compressor air rear intake, front discharge. Toe kick cannot be blocked
- Condensate pan (self-contained refrig. only)
- Flat front panel
- Integrated average product temperature of 40°F or less
- One year parts & labor; 5 year compressor warranty
- Open reach-in front
- Shelving removable and adjustable on 1" centers
- T-8 top & shelf lights
- Upper & lower rear areas white

Features	Standard	Options
EXTERIOR COLOR	<input type="checkbox"/> Laminated (non-premium) Confirm pattern/grain direction	<input type="checkbox"/> Laminated (premium) Confirm pattern/grain direction <input type="checkbox"/> Stainless steel (includes rear of case)
INTERIOR COLOR	<input type="checkbox"/> Black	<input type="checkbox"/> Stainless steel <input type="checkbox"/> White
REAR EXTERIOR COLOR	<input type="checkbox"/> Painted - White	<input type="checkbox"/> Painted - Black <input type="checkbox"/> Stainless steel (w/stainless ext. only)
TRIM COLOR	<input type="checkbox"/> Black	<input type="checkbox"/> Silver
BASE	<input type="checkbox"/> Levelers	<input type="checkbox"/> 6"H legs <input type="checkbox"/> Casters (n/a with remote)
END PANEL LEFT	<input type="checkbox"/> Full end panel w/mirror interior	<input type="checkbox"/> Cutaway with glass - cases cannot be joined w/o end panels
END PANEL RIGHT	<input type="checkbox"/> Full end panel w/mirror interior	<input type="checkbox"/> Cutaway with glass - cases cannot be joined w/o end panels
UPPER REAR	<input type="checkbox"/> Solid back panel	<input type="checkbox"/> ¹ Clear glass rear sliding doors w/o lock <input type="checkbox"/> ² Solid rear swinging door(s) w/o lock (specify hinge LH or RH)
ELECTRICAL CONNECT	<input type="checkbox"/> 6' straight blade power cord (self-cont.)	<input type="checkbox"/> 6' locking power cord (self-cont.) <input type="checkbox"/> Electrical leads (remote)
REFRIGERATION	<input type="checkbox"/> Breeze™ w/EnergyWise s/c refrigeration	<input type="checkbox"/> Note: Remote doesn't incl Conds unit. Floor drain reqd. <input type="checkbox"/> Remote w/thermostat, solenoid & TXV
MISCELLANEOUS		<input type="checkbox"/> LED lights <input type="checkbox"/> Rear door lock <input type="checkbox"/> Second year parts & labor warranty (excludes compressor)
ACCESSORIES		<input type="checkbox"/> Clean Sweep® coil cleaner (n/a w/remote) <input type="checkbox"/> Night curtain, retractable, non-locking <input type="checkbox"/> Removable wire security cover, locking

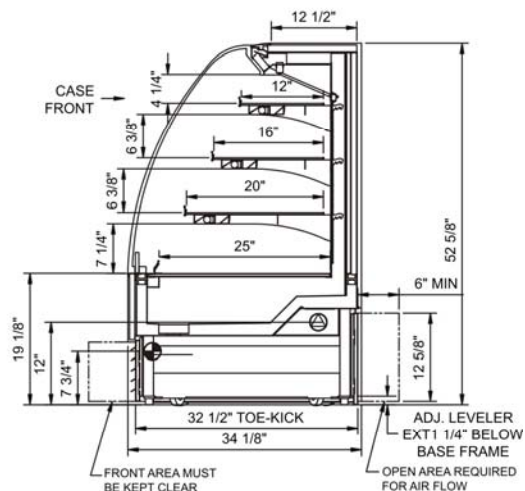
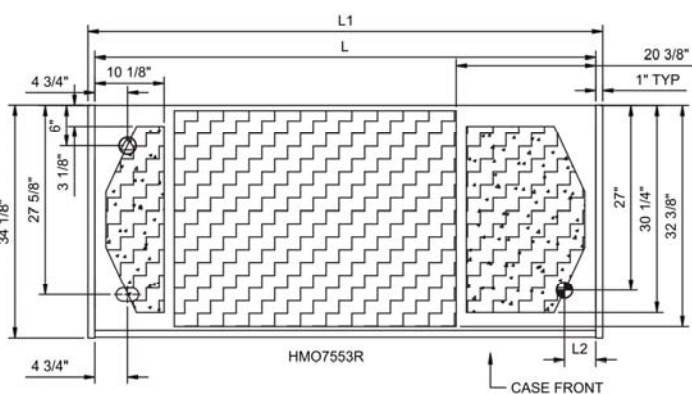
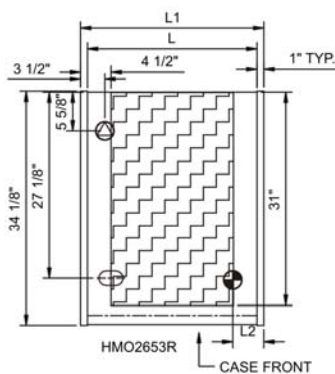
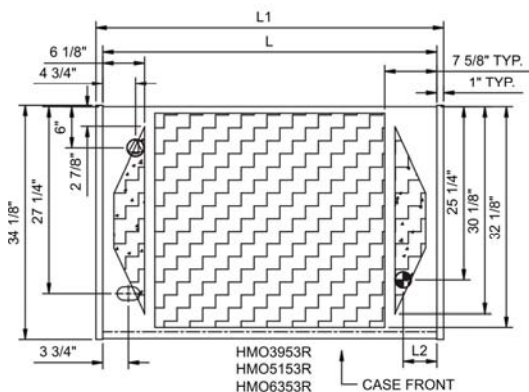
Option Notes: 1 - HMO3953R; HMO5153R;
 HMO6353R; HMO7553R
 2 - HMO2653R

Product Specifications

Intended Environment: Type I - Designed to operate in ambient conditions of 75°F with 55% relative humidity unless noted otherwise in system information below.	
Zone	Integrated Prod Temp ° F
All	40

PLAN VIEW

SIDE VIEW



NOTE: ALL DIMENSIONS APPROXIMATE

- ELECTRICAL JUNCTION BOX (SUPPLIED WITH 6\" LEADS OR POWER CORD).
- LOCATION OF DRAIN TUBE FOR REMOTE REF. ONLY (SUPPLIED WITH 3/4\" OR 1 1/2\" PVC TUBE).
- REFRIGERATION LINE CONNECTION.
- REMOTE FLOOR SINK & UTILITIES ACCESS AREA.
- SELF-CONTAINED CASE SERVICE ACCESS AREA.
- DRY CASE SERVICE ACCESS AREA.

Model Technical Specifications

Model	L"	L1"	L2"	System Circuit Volts		Phs	Freq	Amps ***	Watts	Wires	NEMA Plug	SST	BTUH	Ship Wt	Frt CIs	
HMO2653R	N/A	26.75	7.88	Remote(Type I)	Circuit #1	110-120	1	60	1.11	116	2+G	Leads Multiple	24.00	2,970	600	110
				Self-Contained	Circuit #1	110-120	1	60	12.00	1,356	2+G	5-15P or L5-15P	N/A	N/A		
HMO3953R	N/A	38.75	4.88	Remote(Type I)	Circuit #1	110-120	1	60	1.20	131	2+G	Leads Multiple	23.00	4,350	800	110
				Self-Contained	Circuit #1	110-120	1	60	14.62	1,313	2+G	5-20P or L5-20P	N/A	N/A		
HMO5153R	N/A	50.75	4.88	Remote(Type I)	Circuit #1	110-120	1	60	1.95	200	2+G	Leads Multiple	24.00	5,475	900	110
				Self-Contained	Circuit #1	110-120	1	60	16.00	1,707	2+G	5-20P or L5-20P	N/A	N/A		
HMO6353R	N/A	62.63	8.88	Remote(Type I)	Circuit #1	110-120	1	60	2.20	214	2+G	Leads Multiple	20.00	6,600	1,000	110
				Self-Contained	Circuit #1	208-240	1	60	11.17	1,849	2+G	6-15P	N/A	N/A		
HMO7553R	N/A	75.13	4.63	Remote(Type I)	Circuit #1	110-120	1	60	2.96	307	2+G	Leads Multiple	20.00	8,000	1,300	110
				Self-Contained	Circuit #1	120/230V	1	60	11.80	2,160	3+G	14-20P or L14-20P	N/A	N/A		

*** Does not include electric defrost on freezer models.

Important Notes:

- 1) ELECTRICAL NOTE: If GFCI is required, a GFCI breaker MUST be used in lieu of a GFCI receptacle
- 2) Units are supplied with levelers. They must be adjusted during installation to ensure the unit is level and plum.
- 3) 35" Minimum door entry clearance required (without shipping skid).

Regulatory Approvals:

All Models	Accordance with AHRI Std 1200 ETL Listed to UL 471 ETL Listed to CAN/CSA 22.2 No. 120 ETL Sanitation to NSF 7
------------	--



In Accordance with
AHRI Std 1200

DOE 2012
Energy Efficiency
Compliant