

Product Specifications

Combination Convertible Service Above Refrigerated Self-Service Case

Lengths include end panels

- HOU3852R-E3 40"L x 42"D x 53"H
- HOU4852R-E3 50"L x 42"D x 53"H
- HOU5652R-E3 58"L x 42"D x 53"H
- HOU7452R-E3 76"L x 42"D x 53"H



MODEL SHOWN: HOU4852R-E3

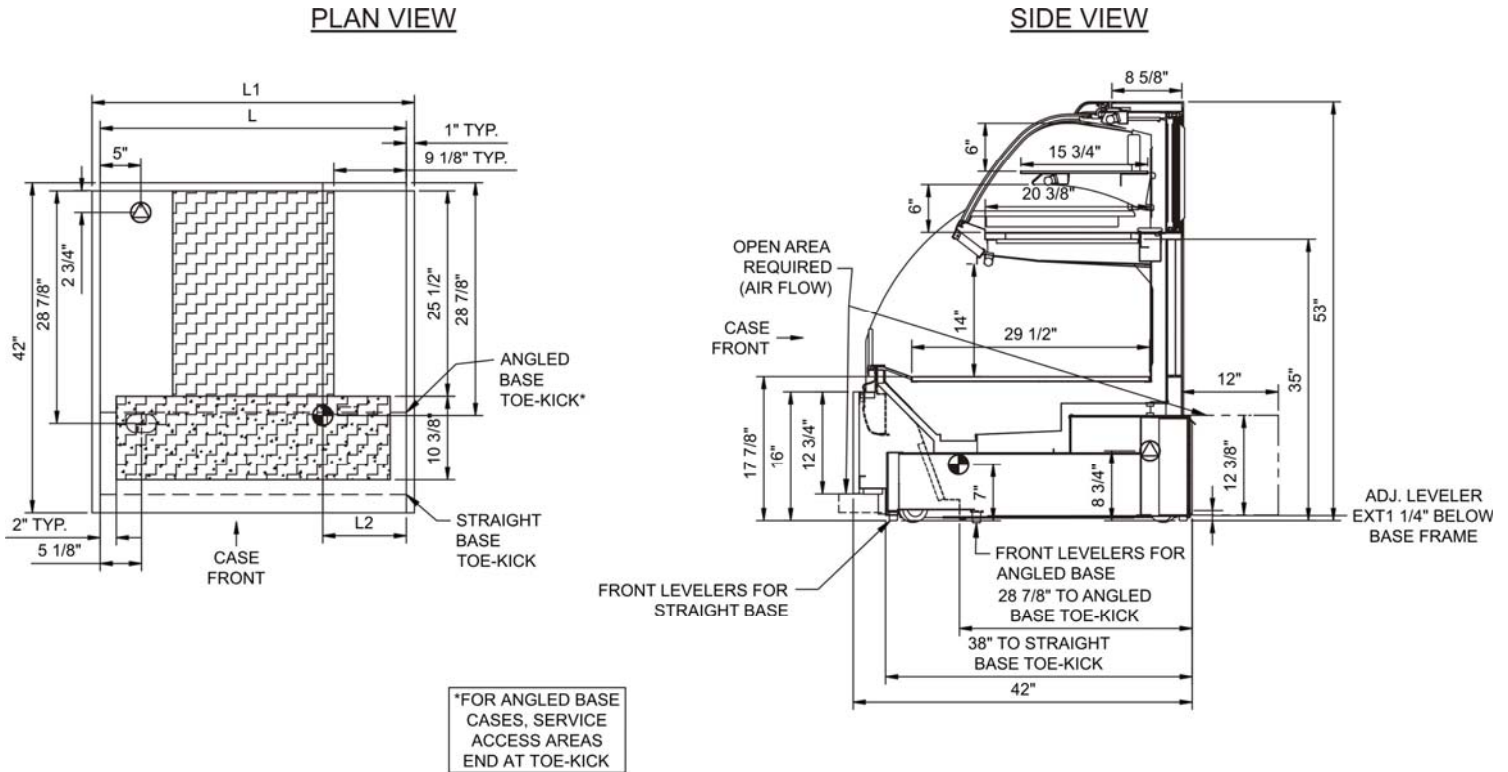
STANDARD FEATURES

- Breeze™ w/EnergyWise s/c refrigeration
- 3' models do not include center divider in upper display
- Clear glass shelf, lighted (T-8) in upper display
- Condensate pan (self-contained refrig. only)
- Convertible baffle in upper display
- Curved double pane, lift-up front glass w/o lock
- Flat front panel
- Full end panel w/mirror interior
- Integrated average product temperature of 40°F or less
- Lower refrigerated self-service display deck
- One year parts & labor; 5 year compressor warranty
- Shelving removable and adjustable on 1" centers
- T-8 top & shelf lights

Features	Standard	Options
EXTERIOR COLOR	<input type="checkbox"/> Black	
INTERIOR COLOR	<input type="checkbox"/> Black	
REAR EXTERIOR COLOR	<input type="checkbox"/> Painted - White	
TRIM COLOR	<input type="checkbox"/> Black	
BASE	<input type="checkbox"/> Levelers	
UPPER REAR	<input type="checkbox"/> Clear glass rear sliding doors w/o lock	
ELECTRICAL CONNECT	<input type="checkbox"/> 6' straight blade power cord (self cont.)	
REFRIGERATION	<input type="checkbox"/> Breeze™ w/EnergyWise s/c refrigeration	

Product Specifications

Intended Environment: Type I - Designed to operate in ambient conditions of 75°F with 55% relative humidity unless noted otherwise in system information below.	
Zone	Integrated Prod Temp ° F
All	40



NOTE: ALL DIMENSIONS APPROXIMATE

⊕ ELECTRICAL JUNCTION BOX (SUPPLIED WITH 6" LEADS OR POWER CORD).
 ● LOCATION OF DRAIN TUBE FOR REMOTE REF. ONLY (SUPPLIED WITH 3/4" OR 1 1/2" PVC TUBE).

⊕ REFRIGERATION LINE CONNECTION.
 □ REMOTE FLOOR SINK & UTILITIES ACCESS AREA.

⊕ SELF-CONTAINED CASE SERVICE ACCESS AREA.
 ⊕ DRY CASE SERVICE ACCESS AREA.

Model Technical Specifications

Model	L"	L1"	L2"	System	Circuit Volts	Phs	Freq	Amps ***	Watts	Wires	NEMA Plug	SST	BTUH	Ship Wt	Frt Cls
HOU3852R-E3	N/A	40.00	4.75	Self-Contained	Circuit #1	110-120	1	60	12.00	1,306	2+G	N/A	N/A	950	110
HOU4852R-E3	N/A	50.00	4.75	Self-Contained	Circuit #1	110-120	1	60	16.00	1,519	2+G	N/A	N/A	1,050	110
HOU5652R-E3	N/A	58.00	5.75	Self-Contained	Circuit #1	110/230V	1	60	11.20	1,763	3+G	N/A	N/A	1,100	110
HOU7452R-E3	N/A	76.00	5.75	Self-Contained	Circuit #1	110/230V	1	60	12.00	2,134	3+G	N/A	N/A	1,220	110

*** Does not include electric defrost on freezer models.

Regulatory Approvals:

All Models
 Accordance with AHRI Std 1200
 ETL Listed to UL 471
 ETL Listed to CAN/CSA 22.2 No. 120
 ETL Sanitation to NSF 7

Important Notes:

- 1) ELECTRICAL NOTE: If GFCI is required, a GFCI breaker MUST be used in lieu of a GFCI receptacle
- 2) 43" Minimum door entry clearance required (without shipping skid).
- 3) Compressor air intake from rear and out front panel at toe kick. Toe kick cannot be blocked.
- 4) Units are supplied with levelers. They must be adjusted during installation to ensure that unit is level and plumb. Dimensions reflect levelers extended 1 1/4".

