

### Combination Convertible Service Above Refrigerated Self-Service Case



MODEL SHOWN: HOU4852R

NOTE: SHOWN W/ OPTIONAL DISPLAY STEPS IN LOWER AREA

- HOU3852R 40"L x 42"D x 53"H
- HOU4852R 50"L x 42"D x 53"H
- HOU5652R 58"L x 42"D x 53"H
- HOU7452R 76"L x 42"D x 53"H

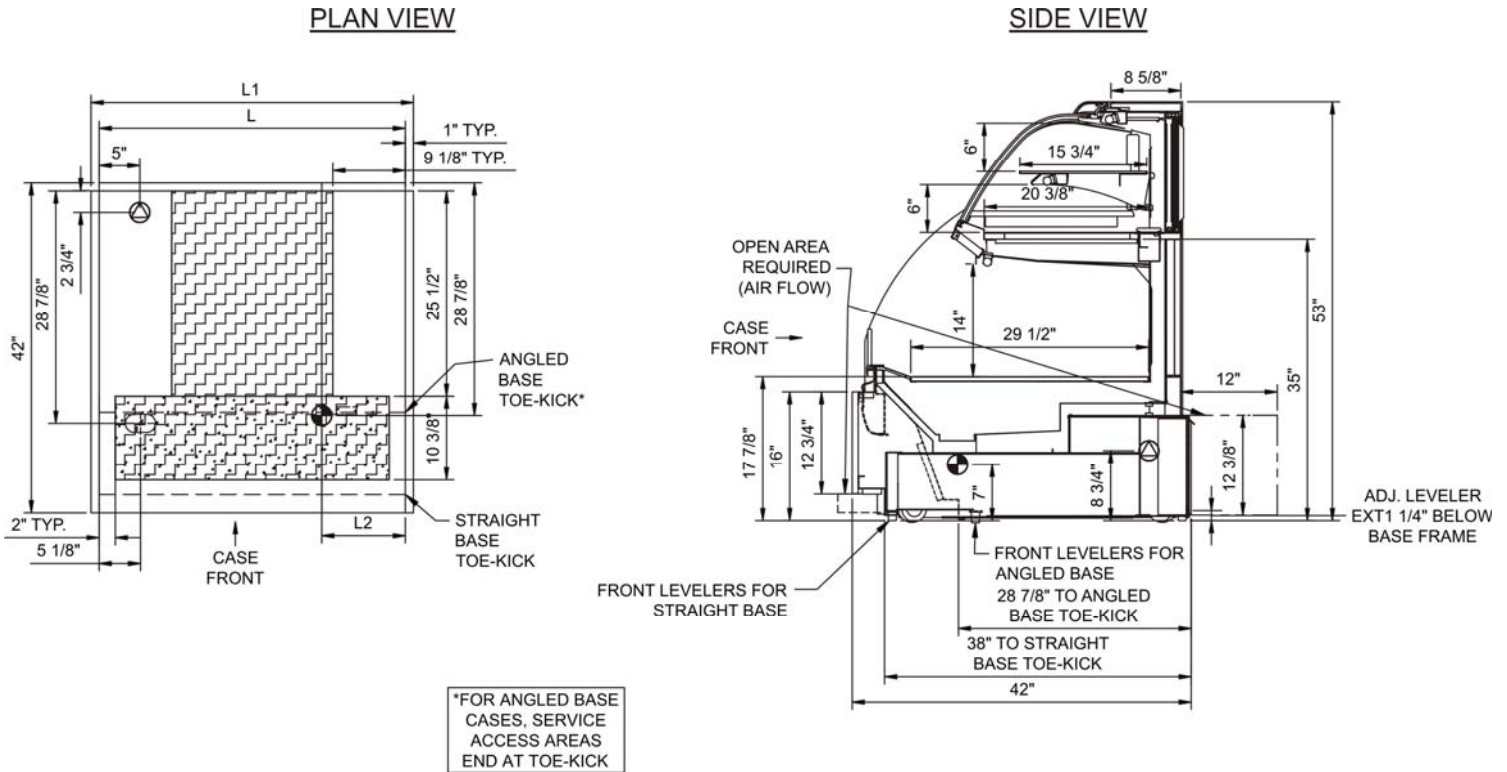
Lengths include end panels

### STANDARD FEATURES

- Breeze™ w/EnergyWise s/c refrigeration
- 3' models do not include center divider in upper display
- Clear glass shelf, lighted (T-8) in upper display
- Condensate pan (self-contained refrig. only)
- Convertible baffle in upper display
- Curved double pane, lift-up front glass w/o lock
- Flat front panel
- Full end panel w/mirror interior
- Integrated average product temperature of 40°F or less
- Lower refrigerated self-service display deck
- One year parts & labor; 5 year compressor warranty
- Shelving removable and adjustable on 1" centers
- T-8 top & shelf lights

Features	Standard	Options
EXTERIOR COLOR	<input type="checkbox"/> Laminated (non-premium) Confirm pattern/grain direction	<input type="checkbox"/> Laminated (premium) Confirm pattern/grain direction <input type="checkbox"/> Stainless steel (includes rear of case)
INTERIOR COLOR	<input type="checkbox"/> Black	<input type="checkbox"/> Stainless steel <input type="checkbox"/> White
REAR EXTERIOR COLOR	<input type="checkbox"/> Painted - White	<input type="checkbox"/> Painted - Black <input type="checkbox"/> Stainless steel (w/stainless exterior only)
TRIM COLOR	<input type="checkbox"/> Black	<input type="checkbox"/> Silver
BASE	<input type="checkbox"/> Levelers	<input type="checkbox"/> 6"H legs <input type="checkbox"/> Casters (n/a with remote)
UPPER REAR	<input type="checkbox"/> Clear glass rear sliding doors w/o lock	<input type="checkbox"/> Reflective glass rear sliding doors w/o lock
ELECTRICAL CONNECT	<input type="checkbox"/> 6' straight blade power cord (self cont.)	<input type="checkbox"/> 6' locking power cord (self cont.) <input type="checkbox"/> Electrical leads (remote)
REFRIGERATION	<input type="checkbox"/> Breeze™ w/EnergyWise s/c refrigeration	<input type="checkbox"/> Note: Remote doesn't incl Conds unit. Floor drain reqd. <input type="checkbox"/> Remote w/thermostat, solenoid & TXV
MISCELLANEOUS		<input type="checkbox"/> LED lights <input type="checkbox"/> Rear door lock <input type="checkbox"/> Removable wire security cover, locking (for lower display, secures upper/lower) <input type="checkbox"/> Second year parts & labor warranty (excludes compressor)
ACCESSORIES		<input type="checkbox"/> 2"H Display steps <input type="checkbox"/> 2"H Full depth display riser(s) <input type="checkbox"/> 4"H Display steps <input type="checkbox"/> 4"H Full depth display riser(s) <input type="checkbox"/> Night curtain, retractable, non-locking <input type="checkbox"/> Removable wire security cover, locking

<b>Intended Environment:</b> Type I - Designed to operate in ambient conditions of 75°F with 55% relative humidity unless noted otherwise in system information below.	
<b>Zone</b>	<b>Integrated Prod Temp ° F</b>
All	40



NOTE: ALL DIMENSIONS APPROXIMATE

- ELECTRICAL JUNCTION BOX (SUPPLIED WITH 6" LEADS OR POWER CORD).
- LOCATION OF DRAIN TUBE FOR REMOTE REF. ONLY (SUPPLIED WITH 3/4" OR 1 1/2" PVC TUBE).

- REFRIGERATION LINE CONNECTION.
- REMOTE FLOOR SINK & UTILITIES ACCESS AREA.

- SELF-CONTAINED CASE SERVICE ACCESS AREA.
- DRY CASE SERVICE ACCESS AREA.

Model Technical Specifications																
Model	L"	L1"	L2"	System Circuit Volts			Phs	Freq	Amps ***	Watts	Wires	NEMA Plug	SST	BTUH	Ship Wt	Frt Cls
HOU3852R	N/A	40.00	4.75	Remote(Type I)	Circuit #1	110-120	1	60	1.72	159	2+G	Leads Multiple	20.0	2,948	950	110
				Self-Contained	Circuit #1	110-120	1	60	12.00	1,306	2+G	5-15P or L5-15P	N/A	N/A		
HOU4852R	N/A	50.00	4.75	Remote(Type I)	Circuit #1	110-120	1	60	2.63	191	2+G	Leads Multiple	20.0	3,431	1,050	110
				Self-Contained	Circuit #1	110-120	1	60	16.00	1,519	2+G	5-20P or L5-20P	N/A	N/A		
HOU5652R	N/A	58.00	5.75	Remote(Type I)	Circuit #1	110-120	1	60	2.76	192	2+G	Leads Multiple	20.0	3,817	1,100	110
				Self-Contained	Circuit #1	110/230V	1	60	11.20	1,763	3+G	14-20P or L14-20P	N/A	N/A		
HOU7452R	N/A	76.00	5.75	Remote(Type I)	Circuit #1	110-120	1	60	1.66	258	2+G	Leads Multiple	20.0	4,686	1,220	110
				Self-Contained	Circuit #1	110/230V	1	60	12.00	2,134	3+G	14-20P or L14-20P	N/A	N/A		

\*\*\* Does not include electric defrost on freezer models.

Regulatory Approvals:	
All Models	Accordance with AHRI Std 1200 ETL Listed to UL 471 ETL Listed to CAN/CSA 22.2 No. 120 ETL Sanitation to NSF 7

**Important Notes:**

- 1) ELECTRICAL NOTE: If GFCI is required, a GFCI breaker MUST be used in lieu of a GFCI receptacle
- 2) 43" Minimum door entry clearance required (without shipping skid).
- 3) Compressor air intake from rear and out front panel at toe kick. Toe kick cannot be blocked.
- 4) Units are supplied with levelers. They must be adjusted during installation to ensure that unit is level and plumb. Dimensions reflect levelers extended 1 1/4".

