

### Combination Non-Refrigerated Service Above Refrigerated Self-Service Case



MODEL SHOWN: HUDLR4852

NOTE: SHOWN W/ OPTIONAL DISPLAY STEPS IN LOWER AREA

- HUDLR3852 40"L x 42"D x 53"H
- HUDLR4852 50"L x 42"D x 53"H
- HUDLR5652 58"L x 42"D x 53"H
- HUDLR7452 76"L x 42"D x 53"H

Lengths include end panels

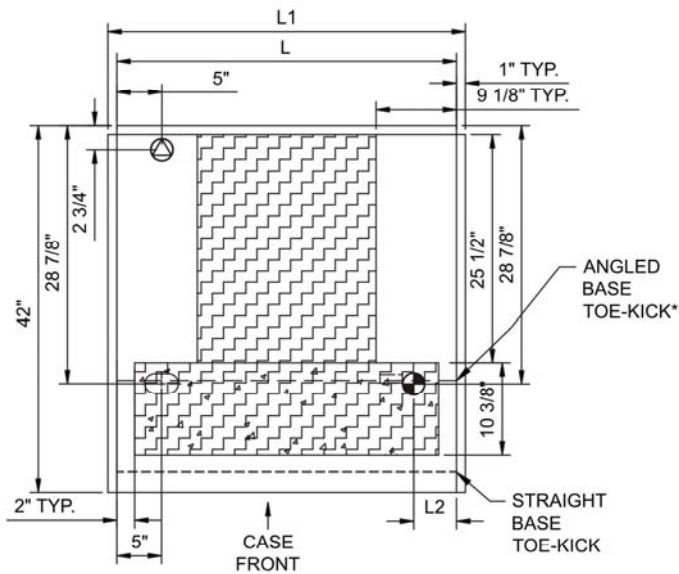
### STANDARD FEATURES

- Breeze™ w/EnergyWise s/c refrigeration
- Clear glass shelf, lighted (T-8) in upper display
- Compressor air rear intake, front discharge. Toe kick cannot be blocked
- Condensate pan (self-contained refrig. only)
- Curved single pane, lift-up front glass w/o lock
- Flat front panel
- Full end panel w/mirror interior
- Integrated average product temperature of 40°F or less
- Lower refrigerated self-service display deck
- Non-refrigerated upper display
- One year parts & labor; 5 year compressor warranty
- Shelving removable and adjustable on 1" centers
- T-8 top & shelf lights

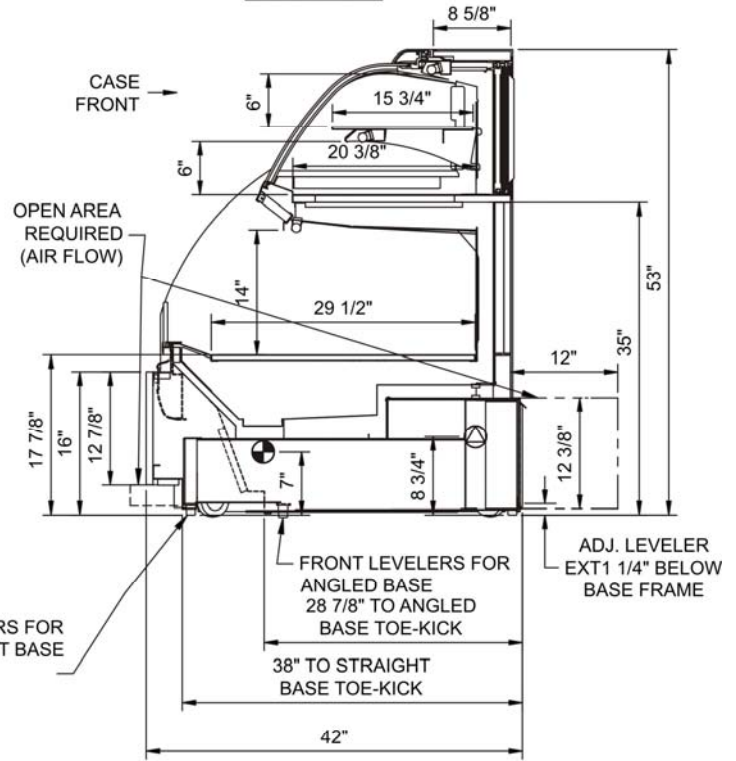
Features	Standard	Options
EXTERIOR COLOR	<input type="checkbox"/> Laminated (non-premium) Confirm pattern/grain direction	<input type="checkbox"/> Laminated (premium) Confirm pattern/grain direction <input type="checkbox"/> Stainless steel (w/stainless exterior only)
INTERIOR COLOR	<input type="checkbox"/> Black	<input type="checkbox"/> Stainless steel <input type="checkbox"/> White
REAR EXTERIOR COLOR	<input type="checkbox"/> Painted - White	<input type="checkbox"/> Painted - Black <input type="checkbox"/> Stainless steel (w/stainless ext. only)
TRIM COLOR	<input type="checkbox"/> Black	<input type="checkbox"/> Silver
BASE	<input type="checkbox"/> Levelers	<input type="checkbox"/> 6"H legs <input type="checkbox"/> Casters (n/a with remote)
UPPER FRONT	<input type="checkbox"/> Curved single pane, lift-up front glass	<input type="checkbox"/> Acrylic lift-up front doors (free fall) <input type="checkbox"/> Acrylic lift-up front doors (slow close hinges)
UPPER REAR	<input type="checkbox"/> Clear glass rear sliding doors w/o lock	<input type="checkbox"/> Reflective glass rear sliding doors w/o lock
ELECTRICAL CONNECT	<input type="checkbox"/> 6' straight blade power cord (self cont.)	<input type="checkbox"/> 6' locking power cord (self cont.) <input type="checkbox"/> Electrical leads (remote)
REFRIGERATION	<input type="checkbox"/> Breeze™ w/EnergyWise s/c refrigeration	<input type="checkbox"/> Note: Remote doesn't incl Conds unit. Floor drain reqd. <input type="checkbox"/> Remote w/thermostat, solenoid & TXV
MISCELLANEOUS		<input type="checkbox"/> LED lights <input type="checkbox"/> Rear door lock <input type="checkbox"/> Second year parts & labor warranty (excludes compressor)
ACCESSORIES		<input type="checkbox"/> 2"H Display steps <input type="checkbox"/> 2"H Full depth display riser(s) <input type="checkbox"/> 4"H Display steps <input type="checkbox"/> 4"H Full depth display riser(s) <input type="checkbox"/> Night curtain, retractable, non-locking <input type="checkbox"/> Removable wire security cover, locking (for lower display, secures upper/lower)

<b>Intended Environment:</b> Type I - Designed to operate in ambient conditions of 75°F with 55% relative humidity unless noted otherwise in system information below.	
<b>Zone</b>	<b>Intended Product To Be Displayed</b>
All	Packaged / unpackaged refrigerated products
<b>Integrated Prod Temp ° F</b>	
41	

**PLAN VIEW**



**SIDE VIEW**



\*FOR ANGLED BASE CASES, SERVICE ACCESS AREAS END AT TOE-KICK.

**NOTE: ALL DIMENSIONS APPROXIMATE**

- ELECTRICAL JUNCTION BOX (SUPPLIED WITH 6" LEADS OR POWER CORD).
- REMOVE FLOOR SINK & UTILITIES ACCESS AREA.
- LOCATION OF DRAIN TUBE FOR REMOTE REF. ONLY (SUPPLIED WITH 3/4" OR 1 1/2" PVC TUBE).
- SELF-CONTAINED CASE SERVICE ACCESS AREA.
- REFRIGERATION LINE CONNECTION.
- DRY CASE SERVICE ACCESS AREA.

**Model Technical Specifications**

Model	L"	L1"	L2"	System Circuit Volts		Phs	Freq	Amps ***	Watts	Wires	NEMA Plug	SST	BTUH	Ship Wt	Frt Cls	
HUDLR3852	N/A	40.00	10.38	Remote(Type I)	Circuit #1	110-120	1	60	1.34	113	2+G	Leads Multiple	24	1,762	850	110
				Self-Contained	Circuit #1	110-120	1	60	12.00	1,260	2+G	5-15P or L5-15P	N/A	N/A		
HUDLR4852	N/A	50.00	10.38	Remote(Type I)	Circuit #1	110-120	1	60	1.78	171	2+G	Leads Multiple	24	2,565	900	110
				Self-Contained	Circuit #1	110-120	1	60	16.00	1,499	2+G	5-20P or L5-20P	N/A	N/A		
HUDLR5652	N/A	58.00	10.38	Remote(Type I)	Circuit #1	110-120	1	60	2.08	206	2+G	Leads Multiple	24	2,860	1,100	110
				Self-Contained	Circuit #1	110/230V	1	60	10.60	1,763	3+G	14-20P or L14-20P	N/A	N/A		
HUDLR7452	N/A	76.00	10.38	Remote(Type I)	Circuit #1	110-120	1	60	2.84	270	2+G	Leads Multiple	24	3,738	1,150	110
				Self-Contained	Circuit #1	110/230V	1	60	12.00	2,203	3+G	14-20P or L14-20P	N/A	N/A		

\*\*\* Does not include electric defrost on freezer models.

**Regulatory Approvals:**

None



**Important Notes:**

- 1) ELECTRICAL NOTE: If GFCI is required, a GFCI breaker MUST be used in lieu of a GFCI receptacle
- 2) 43" Minimum door entry clearance required (without shipping skid).
- 3) Compressor air intake from rear and out front panel at toe kick. Toe kick cannot be blocked.
- 4) Units are supplied with levelers. They must be adjusted during installation to ensure the unit is level and plumb. Dimensions reflect levelers extended 1 1/4".