

Refrigerated Service Case - 50 HZ Electrical

- HV38RZ 40"L x 42"D x 51 1/4"H
- HV48RZ 50"L x 42"D x 51 1/4"H
- HV56RZ 58"L x 42"D x 51 1/4"H
- HV74RZ 76"L x 42"D x 51 1/4"H
- HV96RZ 98"L x 42"D x 51 1/4"H

STANDARD FEATURES

- Light-T-8 top & shelf light(s)
- Evaporator pan-Condensate pan (self-contained refig. only)
- Compressor air-Compressor air rear intake, front discharge. Toe kick cannot be blocked
- Warranty-One year parts & labor; 1-5 year compressor warranty
- Temp-Integrated average product temperature of 41°F or less.
- Shelves-Shelving removable and adjustable on 1" centers



MODEL SHOWN: HV56RZ

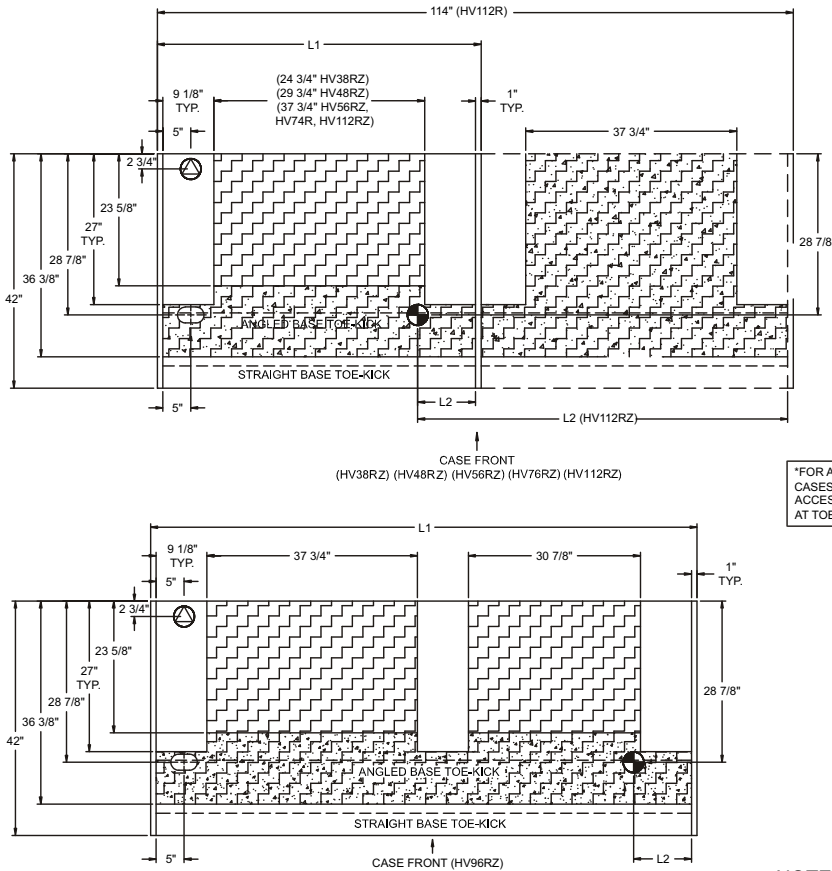
	STANDARD SPECIFICATION	OPTION(s)
ELECTRICAL CONNECT	<input type="checkbox"/> Electrical leads (self-cont.)	<input type="checkbox"/> Electrical leads (remote)
REAR EXTERIOR COLOR	<input type="checkbox"/> White exterior	<input type="checkbox"/> Stainless steel rear exterior (w/stainless ext. only) <input type="checkbox"/> Black exterior
INTERIOR COLOR	<input type="checkbox"/> Black interior	<input type="checkbox"/> White interior <input type="checkbox"/> Stainless Steel interior
TRIM COLOR	<input type="checkbox"/> Black trim	<input type="checkbox"/> Silver trim
EXTERIOR COLOR	<input type="checkbox"/> Laminated (non-premium) Confirm pattern/grain direction	<input type="checkbox"/> Laminated (premium) Confirm pattern/grain direction <input type="checkbox"/> Stainless steel exterior
REFRIGERATION	<input type="checkbox"/> Breeze™ s/c refrigeration	<input type="checkbox"/> Note: Remote doesn't incl Conds unit. Floor drain reqd. <input type="checkbox"/> Remote w/thermostat, solenoid & TXV <input type="checkbox"/> Remote DX refrigeration
BASE SUPPORT	<input type="checkbox"/> Levelers	<input type="checkbox"/> 6"H legs <input type="checkbox"/> Casters (n/a with remote)
FRONT PANEL	<input type="checkbox"/> Flat front panel	
END PANEL LEFT	<input type="checkbox"/> Full end panel w/mirror interior	<input type="checkbox"/> Filler end panel (specify adjacent case) <input type="checkbox"/> Case to case glass end <input type="checkbox"/> Cutaway end panel <input type="checkbox"/> No end panel (for same case to case connections)
END PANEL RIGHT	<input type="checkbox"/> Full end panel w/mirror interior	<input type="checkbox"/> Filler end panel (specify adjacent case) <input type="checkbox"/> Case to case glass end <input type="checkbox"/> Cutaway end panel <input type="checkbox"/> No end panel (for same case to case connections)
FRONT GLASS	<input type="checkbox"/> Curved single pane, lift-up front glass w/o lock	<input type="checkbox"/> Curved single pane, lift-up front glass w/lock
UPPER REAR	<input type="checkbox"/> Clear glass rear sliding doors w/o lock	<input type="checkbox"/> Reflective glass rear sliding doors w/lock <input type="checkbox"/> Clear glass rear sliding doors w/lock <input type="checkbox"/> Reflective glass rear sliding doors w/o lock
SHELVING	<input type="checkbox"/> Clear glass shelves, lighted	
BUMPER	<input type="checkbox"/> None	<input type="checkbox"/> 1" bumper on front (specify color)

ENCORE®

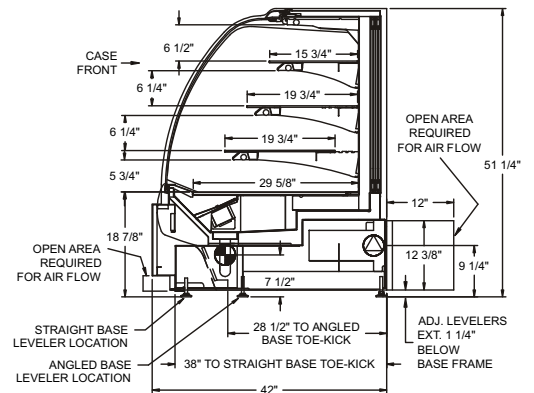
PRODUCT SPECIFICATIONS

Intended Use of Display Area: Unpackaged refrigerated products
 Integrated Product Temperature (IPT): 41°F
 Intended Environment: Designed to operate in ambient conditions of 75°F / 55% relative humidity.

PLAN VIEW



SIDE VIEW



*FOR ANGLED BASE CASES, SERVICE ACCESS AREAS END AT TOE-KICK

NOTE: ALL DIMENSIONS APPROXIMATE

- ELECTRICAL JUNCTION BOX (SUPPLIED WITH 6' LEADS OR POWER CORD).
- LOCATION OF CONDENSATE DRAIN TUBE (SUPPLIED WITH 3/4" OR 1 1/2" PVC DRAIN TUBE).
- REFRIGERATION LINE CONNECTION.
- REMOTE CASE SERVICE ACCESS AREA.
- SELF-CONTAINED CASE SERVICE ACCESS AREA.
- DRY CASE SERVICE ACCESS AREA.

Model	Self-Contained Refrigeration/Dry					Remote Refrigeration w/Leads			Ship Wt	Frt CIs
	L1*	L2*	Volts++	Amps	NEMA Plug	Volts++	Amps***	BTUH		
HV38RZ	40	10 3/8	220/1/50	3.955	Leads	220/1/50	1.07	2445	800	110
HV48RZ	50	10 3/8	220/1/50	8.765	Leads	220/1/50	1.45	2844	960	110
HV56RZ	58	10 3/8	220/1/50	7.955	Leads	220/1/50	1.33	3289	1020	110
HV74RZ	76	10 3/8	220/1/50	12.285	Leads	220/1/50	1.76	3832	1400	110
HV96RZ	98	10 3/8	220/1/50	12.585	Leads	220/1/50	2.06	4920	1500	110

++ Operating range for 120 volt rating is 110-120 volts; operating range for 220 volt rating is 208-230 volts.

** Requires 3 wires + ground

*** Does not include electric defrost on freezer models

REGULATORY APPROVALS

- ETL Listed Certified to CAN/CSA 22.2
- ETL Listed Conforms to UL 471
- ETL Sanitation Conforms to NSF 7

Important Note:

- 1) 43" minimum door entry clearance required (without shipping skid).
- 2) Units are supplied with levelers. They must be adjusted during installation to ensure the unit is level and plumb. Dimensions reflect levelers extended 1 1/4".



Note: Information is subject to change at any time.

888 E. Porter Rd. Muskegon, MI 49441 Phone: 231.798.8888 Fax: 231.798.4960 www.structuralconcepts.com