

Non-Refrigerated Service Case

Lengths include 1" end panels

- HV38 40"L x 42"D x 51-1/4"H
- HV48 50"L x 42"D x 51-1/4"H
- HV56 58"L x 42"D x 51-1/4"H
- HV74 76"L x 42"D x 51-1/4"H



MODEL SHOWN: HV56

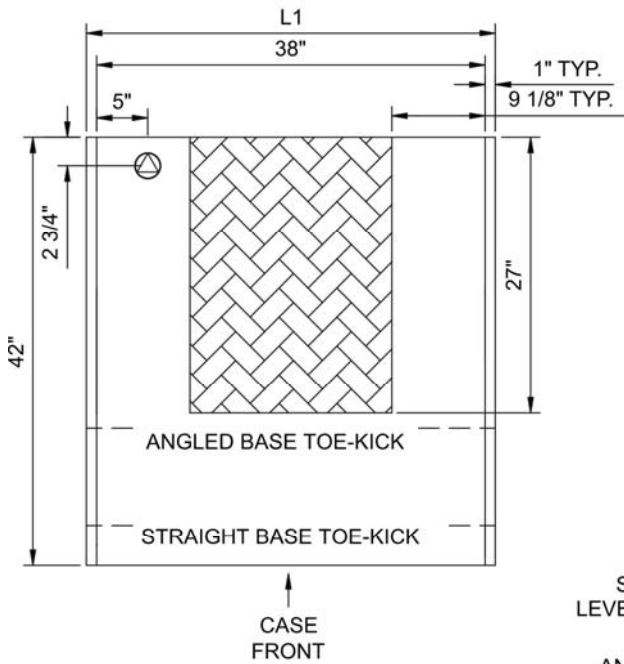
STANDARD FEATURES

- Curved single pane, lift-up front glass
- Flat front panel
- One year parts & labor warranty
- Shelving removable and adjustable on 1" centers
- T-8 top & shelf lights

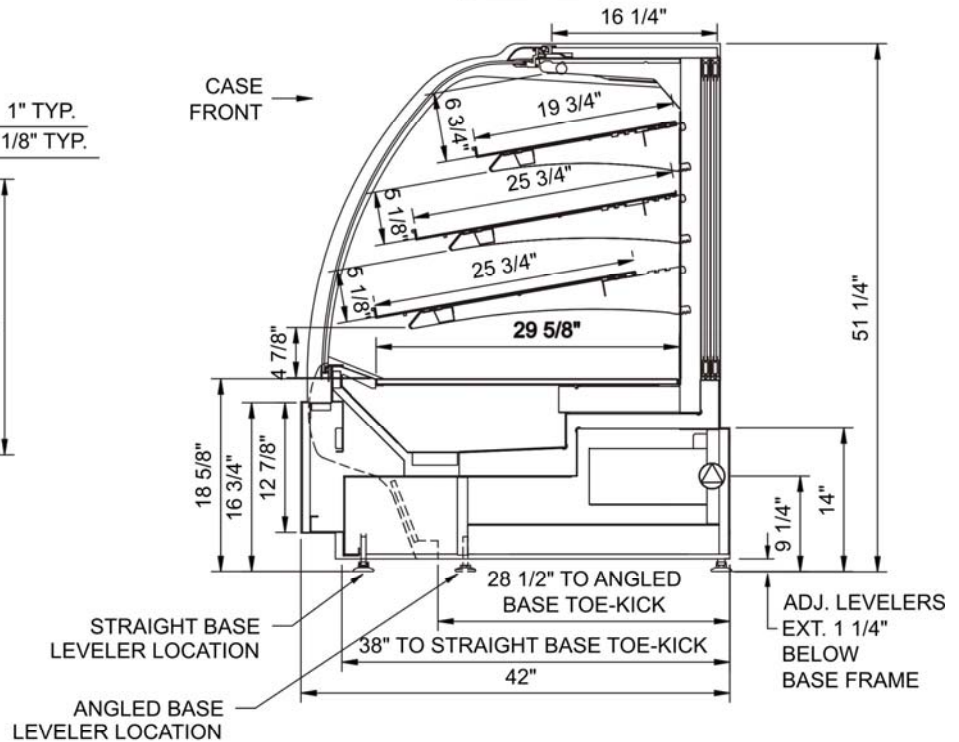
Features	Standard	Options
EXTERIOR COLOR	<input type="checkbox"/> Laminated (non-premium) Confirm pattern/grain direction	<input type="checkbox"/> Laminated (premium) Confirm pattern/grain direction <input type="checkbox"/> Stainless steel (includes rear of case)
INTERIOR COLOR	<input type="checkbox"/> Black	<input type="checkbox"/> Stainless steel <input type="checkbox"/> White
REAR EXTERIOR COLOR	<input type="checkbox"/> Painted - White	<input type="checkbox"/> Painted - Black <input type="checkbox"/> Stainless steel (w/stainless ext. only)
TRIM COLOR	<input type="checkbox"/> Black	<input type="checkbox"/> Silver
BASE	<input type="checkbox"/> Levelers	<input type="checkbox"/> 6"H legs <input type="checkbox"/> Casters (n/a with remote)
END PANEL LEFT	<input type="checkbox"/> Full end panel w/mirror interior	<input type="checkbox"/> Case to case glass end <input type="checkbox"/> Cutaway with glass <input type="checkbox"/> No end panel (for same case to case connections)
END PANEL RIGHT	<input type="checkbox"/> Full end panel w/mirror interior	<input type="checkbox"/> Case to case glass end <input type="checkbox"/> Cutaway with glass <input type="checkbox"/> No end panel (for same case to case connections)
UPPER REAR	<input type="checkbox"/> Clear glass rear sliding doors w/o lock	<input type="checkbox"/> Reflective glass rear sliding doors w/o lock
SHELVING	<input type="checkbox"/> Wire rack shelves (3)	<input type="checkbox"/> Clear glass shelves, lighted (T-8)
LIGHTS	<input type="checkbox"/> T-8 top & shelf lights	<input type="checkbox"/> LED lights
ELECTRICAL CONNECT	<input type="checkbox"/> 12" straight blade power cord	<input type="checkbox"/> 12" locking power cord <input type="checkbox"/> Electrical leads (remote)
MISCELLANEOUS		<input type="checkbox"/> Front glass lock <input type="checkbox"/> Rear door lock <input type="checkbox"/> Second year parts & labor warranty

Intended Environment: Type I - Designed to operate in ambient conditions of 75°F with 55% relative humidity unless noted otherwise in system information below.	
Zone	Integrated Prod Temp ° F
All	Ambient

PLAN VIEW



SIDE VIEW



NOTE: ALL DIMENSIONS APPROXIMATE

⊕ ELECTRICAL JUNCTION BOX (SUPPLIED WITH 6" LEADS OR POWER CORD).
 ○ LOCATION OF DRAIN TUBE FOR REMOTE REF. ONLY (SUPPLIED WITH 3/4" OR 1 1/2" PVC TUBE).

⊕ REFRIGERATION LINE CONNECTION.
 □ REMOTE FLOOR SINK & UTILITIES ACCESS AREA.

▨ SELF-CONTAINED CASE SERVICE ACCESS AREA.
 ▩ DRY CASE SERVICE ACCESS AREA.

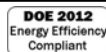
Model Technical Specifications

Model	L"	L1"	L2"	System	Circuit Volts	Phs	Freq	Amps ***	Watts	Wires	NEMA Plug	SST	BTUH	Ship Wt	Frt Cls	
HV38	38.00	40.00	.00	Ambient	Circuit #1	110-120	1	60	0.53	68	2+G	5-15P or L5-15P	N/A	N/A	700	125
HV48	48.00	50.00	.00	Ambient	Circuit #1	110-120	1	60	0.76	100	2+G	5-15P or L5-15P	N/A	N/A	880	125
HV56	56.00	58.00	.00	Ambient	Circuit #1	110-120	1	60	0.99	128	2+G	5-15P or L5-15P	N/A	N/A	900	125
HV74	74.00	76.00	.00	Ambient	Circuit #1	110-120	1	60	1.38	160	2+G	5-15P or L5-15P	N/A	N/A	980	125

*** Does not include electric defrost on freezer models.

Regulatory Approvals:

All Models ETL Listed to UL 65
 ETL Sanitation to NSF 2



Important Notes:

- 42" Minimum door entry clearance required (Without shipping skid).
- Units are supplied with levelers. They must be adjusted during installation to ensure the unit is level and plumb. Dimensions reflect levelers extended 1 1/4".