

Refrigerated Self-Service Case - 50 HZ Electrical



MODEL SHOWN: HV56RSSZ

<input type="checkbox"/> HV38RSSZ	40"L x 42"D x 51 1/4"H
<input type="checkbox"/> HV48RSSZ	50"L x 42"D x 51 1/4"H
<input type="checkbox"/> HV56RSSZ	58"L x 42"D x 51 1/4"H
<input type="checkbox"/> HV74RSSZ	76"L x 42"D x 51 1/4"H

STANDARD FEATURES

- Light-T-8 top & shelf light(s)
- Evaporator pan-Condensate pan (self-contained refig. only)
- Compressor air-Compressor air rear intake, front discharge. Toe kick cannot be blocked
- Warranty-One year parts & labor; 1-5 year compressor warranty
- Temp-Integrated average product temperature of 41°F or less.
- Shelves-Shelving removable and adjustable on 1" centers
- Upper rear-Solid back panel
- Upper front-Open reach-in front

	STANDARD SPECIFICATION	OPTION(S)
ELECTRICAL CONNECT	<input type="checkbox"/> Electrical leads (self-cont.)	<input type="checkbox"/> Electrical leads (remote)
REAR EXTERIOR COLOR	<input type="checkbox"/> White exterior	<input type="checkbox"/> Stainless steel rear exterior (w/stainless ext. only) <input type="checkbox"/> Black exterior
INTERIOR COLOR	<input type="checkbox"/> Black interior	<input type="checkbox"/> White interior <input type="checkbox"/> Stainless Steel interior
TRIM COLOR	<input type="checkbox"/> Black trim	<input type="checkbox"/> Silver trim
EXTERIOR COLOR	<input type="checkbox"/> Laminated (non-premium) Confirm pattern/grain direction <input type="checkbox"/> Note: Upper & lower rear areas white	<input type="checkbox"/> Laminated (premium) Confirm pattern/grain direction <input type="checkbox"/> Stainless steel exterior
COVER/CURTAIN	<input type="checkbox"/> None	<input type="checkbox"/> Wire security cover, removable, locking <input type="checkbox"/> Night curtain, retractable, non-locking
REFRIGERATION	<input type="checkbox"/> Breeze™ s/c refrigeration	<input type="checkbox"/> Remote DX refrigeration <input type="checkbox"/> Note: Remote doesn't incl Conds unit. Floor drain reqd. <input type="checkbox"/> Remote w/thermostat, solenoid & TXV
ELECTRICAL ACCESS	<input type="checkbox"/> Rear electrical access	<input type="checkbox"/> Front electrical access (remote) <input type="checkbox"/> Rear wireway (remote or non-ref.)
BASE SUPPORT	<input type="checkbox"/> Levelers	<input type="checkbox"/> 6"H legs <input type="checkbox"/> Casters (n/a with remote)
FRONT PANEL	<input type="checkbox"/> Flat front panel	
END PANEL LEFT	<input type="checkbox"/> Full end panel w/mirror interior	<input type="checkbox"/> Cutaway end panel <input type="checkbox"/> No end panel (for same case to case connections) <input type="checkbox"/> Case to case glass end <input type="checkbox"/> Filler end panel (specify adjacent case)
END PANEL RIGHT	<input type="checkbox"/> Full end panel w/mirror interior	<input type="checkbox"/> Cutaway end panel <input type="checkbox"/> No end panel (for same case to case connections) <input type="checkbox"/> Case to case glass end <input type="checkbox"/> Filler end panel (specify adjacent case)
SHELVING	<input type="checkbox"/> Clear glass shelves, lighted	<input type="checkbox"/> Smoked glass shelves, lighted
BUMPER	<input type="checkbox"/> None	<input type="checkbox"/> 1" bumper on front (specify color)

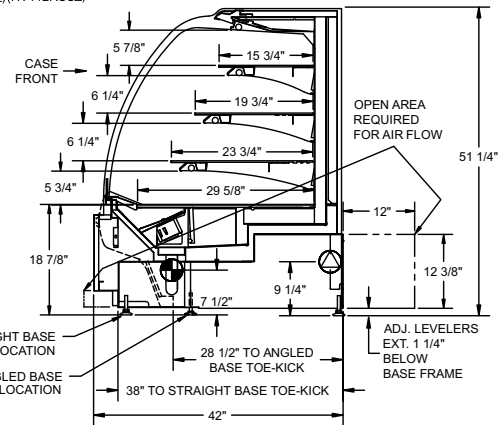
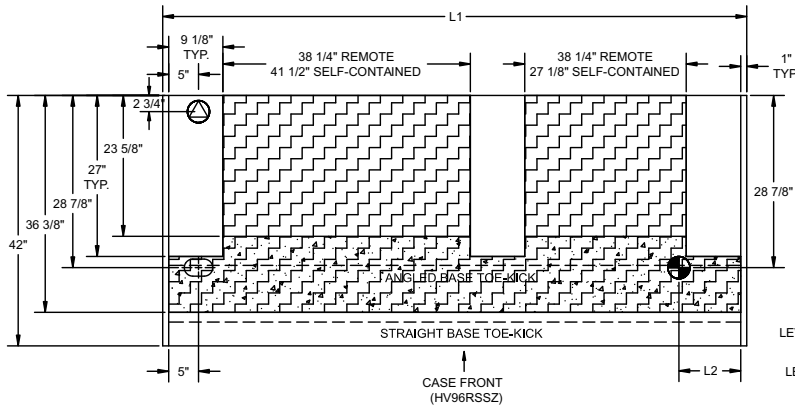
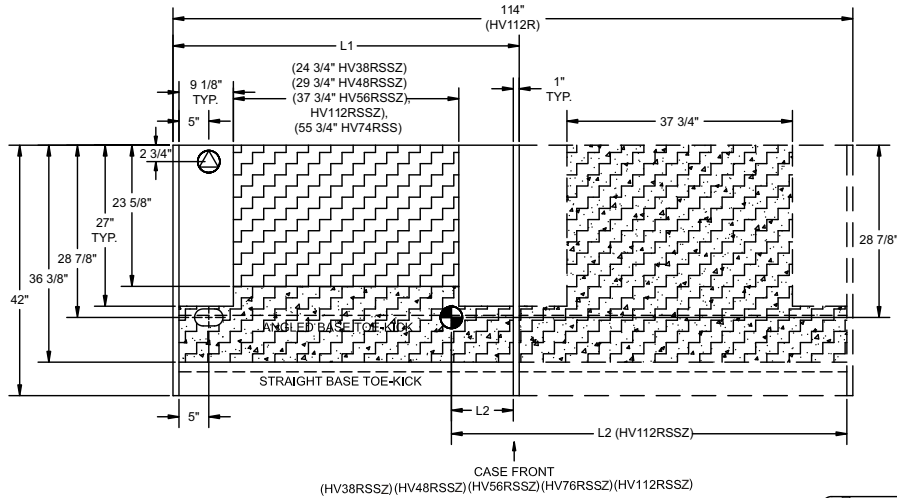
ENCORE®

PRODUCT SPECIFICATIONS

Intended Use of Display Area: Packaged refrigerated products
 Integrated Product Temperature (IPT): 41°F
 Intended Environment: Designed to operate in ambient conditions of 75°F / 55% relative humidity.

PLAN VIEW

SIDE VIEW



NOTE: ALL DIMENSIONS APPROXIMATE

- ELECTRICAL JUNCTION BOX (SUPPLIED WITH 6" LEADS OR POWER CORD).
- REFRIGERATION LINE CONNECTION.
- SELF-CONTAINED CASE SERVICE ACCESS AREA.
- LOCATION OF CONDENSATE DRAIN TUBE (SUPPLIED WITH 3/4" OR 1 1/2" PVC DRAIN TUBE).
- REMOTE CASE SERVICE ACCESS AREA.
- DRY CASE SERVICE ACCESS AREA.

Model	Self-Contained Refrigeration/Dry					Remote Refrigeration w/Leads			Ship Wt	Frt CIs
	L1*	L2*	Volts++	Amps	NEMA Plug	Volts++	Amps***	BTUH		
HV38RSSZ	40	10 3/8	220/1/50	11.36	Leads	220/1/50	0.86	4226	780	110
HV48RSSZ	50	10 3/8	220/1/50	12.69	Leads	220/1/50	0.94	N/A	930	110
HV56RSSZ	58	10 3/8	220/1/50	14.74	Leads	220/1/50	0.94	6142	930	110
HV74RSSZ	76	10 3/8	220/1/50	15.77	Leads	220/1/50	1.37	8010	1180	110

++ Operating range for 120 volt rating is 110-120 volts; operating range for 220 volt rating is 208-230 volts.

** Requires 3 wires + ground

*** Does not include electric defrost on freezer models

REGULATORY APPROVALS

- ETL Listed Certified to CAN/CSA 22.2 in process
- ETL Listed Conforms to UL 471 in process
- ETL Sanitation Conforms to NSF 7 in process

Important Note:

43" Minimum door entry clearance required (Without shipping skid).

Important Note:

Compressor air ventilation is out the front panel. Front panel cannot be blocked.

Important Note:

Units are supplied with levelers. They must be adjusted during installation to ensure the unit is level and plumb. Dimensions reflect levelers extended 1 1/4".



Note: Information is subject to change at any time.

888 E. Porter Rd. Muskegon, MI 49441 Phone: 231.798.8888 Fax: 231.798.4960 www.structuralconcepts.com