

**Product Specifications**

**Refrigerated Service Case**

Lengths include 1" end panels

- HV38R-QS      40"L x 42"D x 51-1/4"H
- HV48R-QS      50"L x 42"D x 51-1/4"H
- HV56R-QS      58"L x 42"D x 51-1/4"H
- HV74R-QS      76"L x 42"D x 51-1/4"H

MODELS SHOWN: HV56R-QS



**STANDARD FEATURES**

- Breeze™ w/EnergyWise s/c refrigeration
- Compressor air rear intake, front discharge. Toe kick cannot be blocked
- Condensate pan (self-contained refig. only)
- Curved single pane, lift-up front glass w/o lock
- Flat front panel
- Integrated average product temperature of 40°F or less
- One year parts & labor; 5 year compressor warranty
- Shelving removable and adjustable on 1" centers
- T-8 top & shelf lights

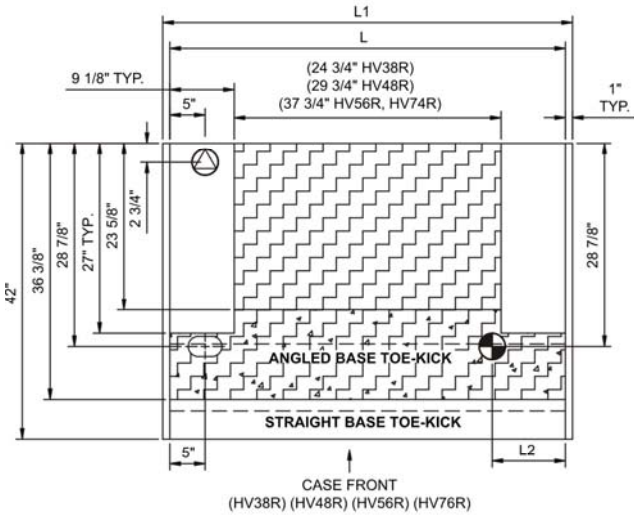
Features	Standard	Options
EXTERIOR COLOR	<input type="checkbox"/> Laminated (non-premium) Confirm pattern/grain direction	
INTERIOR COLOR	<input type="checkbox"/> Black	
REAR EXTERIOR COLOR	<input type="checkbox"/> Painted - White	
TRIM COLOR	<input type="checkbox"/> Black	
BASE	<input type="checkbox"/> Levelers	
END PANEL LEFT	<input type="checkbox"/> Full end panel w/mirror interior	<input type="checkbox"/> Cutaway with glass
END PANEL RIGHT	<input type="checkbox"/> Full end panel w/mirror interior	<input type="checkbox"/> Cutaway with glass
UPPER REAR	<input type="checkbox"/> Clear glass rear sliding doors w/o lock	
ELECTRICAL CONNECT	<input type="checkbox"/> 6' straight blade power cord (self cont.)	
REFRIGERATION	<input type="checkbox"/> Breeze™ w/EnergyWise s/c refrigeration	

## Product Specifications

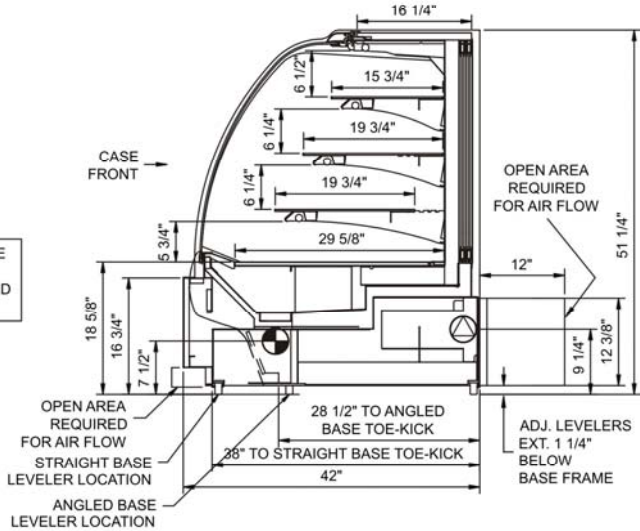
<b>Intended Environment:</b> Type I - Designed to operate in ambient conditions of 75°F with 55% relative humidity unless noted otherwise in system information below.	
<b>Zone</b>	<b>Integrated Prod Temp ° F</b>
All	40

PLAN VIEW

SIDE VIEW



\*FOR ANGLED BASE CASES, SERVICE ACCESS AREAS END AT TOE-KICK



NOTE: ALL DIMENSIONS APPROXIMATE

- ELECTRICAL JUNCTION BOX (SUPPLIED WITH 6" LEADS OR POWER CORD).
- LOCATION OF DRAIN TUBE FOR REMOTE REF. ONLY (SUPPLIED WITH 3/4" OR 1 1/2" PVC TUBE).

- REFRIGERATION LINE CONNECTION.
- REMOTE FLOOR SINK & UTILITIES ACCESS AREA.

- SELF-CONTAINED CASE SERVICE ACCESS AREA.
- DRY CASE SERVICE ACCESS AREA.

Model Technical Specifications

Model	L"	L1"	L2"	System	Circuit Volts	Phs	Freq	Amps ***	Watts	Wires	NEMA Plug	SST	BTUH	Ship Wt	Frt Cls
HV38R-QS	38.00	40.00	10.38	Self-Contained	Circuit #1	110-120	1	60	10.10	761	2+G	N/A	N/A	800	110
HV48R-QS	48.00	50.00	10.38	Self-Contained	Circuit #1	110-120	1	60	12.00	1,410	2+G	N/A	N/A	960	110
HV56R-QS	56.00	58.00	10.38	Self-Contained	Circuit #1	110-120	1	60	12.00	1,465	2+G	N/A	N/A	1,020	110
HV74R-QS	74.00	76.00	10.38	Self-Contained	Circuit #1	110-120	1	60	16.00	1,690	2+G	N/A	N/A	1,400	110

\*\*\* Does not include electric defrost on freezer models.

Regulatory Approvals:

All Models  
 Accordance with AHRI Std 1200  
 ETL Listed to UL 471  
 ETL Listed to CAN/CSA 22.2 No. 120  
 ETL Sanitation to NSF 7



Important Notes:

- 1) ELECTRICAL NOTE: If GFCI is required, a GFCI breaker MUST be used in lieu of a GFCI receptacle
- 2) 43" minimum door entry clearance required (without shipping skid).
- 3) Compressor air-Compressor air rear intake, front discharge. Toe kick cannot be blocked.
- 4) Units are supplied with levelers. They must be adjusted during installation to ensure the unit is level and plumb. Dimensions reflect levelers extended 1 1/4".