

**Refrigerated Self-Service Multi-Purpose Island**

- MI4R
- MI5R
- MI6R

Lengths include end panels

49-3/4"L x 48-1/4"D x 37"H  
 61-3/4"L x 48-1/4"D x 37"H  
 74-3/4"L x 48-1/4"D x 37"H



MODEL SHOWN: MI4R

**STANDARD FEATURES**

- Breeze™ w/EnergyWise s/c refrigeration
- 1" bumper, double strip (specify color)
- Casters
- Compressor air intake in one side & out other side. All lower panels cannot be blocked
- Corrosion resistant stainless steel tub & fan shroud
- Integrated average product temperature adjustable from 38°F - 40°F
- NOTE: Maximum load height is 5 3/4" up from deck
- One year parts & labor; 5 year compressor warranty
- Removable deck pans provide complete access to evaporator coil & refrigeration connections
- Solid metal deck
- Upper acrylic ends

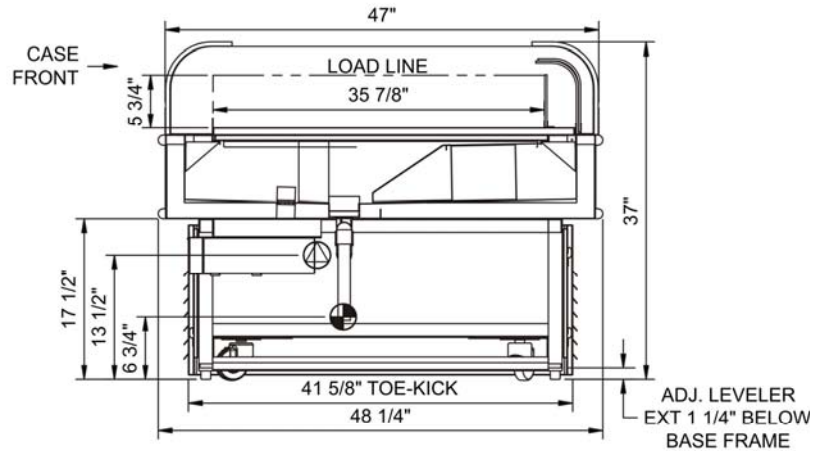
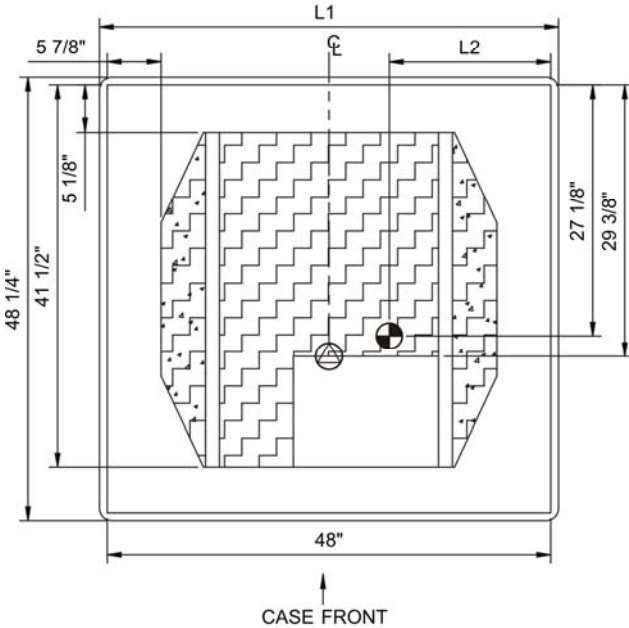
Features	Standard	Options
<b>EXTERIOR COLOR</b>	<input type="checkbox"/> Laminated (non-premium) Confirm pattern/grain direction	<input type="checkbox"/> Laminated (premium) Confirm pattern/grain direction <input type="checkbox"/> Stainless steel (includes lower base)
<b>INTERIOR COLOR</b>	<input type="checkbox"/> Black	<input type="checkbox"/> Stainless steel
<b>BASE</b>	<input type="checkbox"/> Black	<input type="checkbox"/> Stainless steel (w/stainless ext. only)
<b>ELECTRICAL CONNECT</b>	<input type="checkbox"/> 6' straight blade power cord (self cont.)	<input type="checkbox"/> 6' locking power cord (self cont.)
<b>MISCELLANEOUS</b>		<input type="checkbox"/> Clean Sweep® coil cleaner (n/a w/remote) <input type="checkbox"/> Second year parts & labor warranty (excludes compressor)

## Product Specifications

<b>Intended Environment:</b> Type I - Designed to operate in ambient conditions of 75°F with 55% relative humidity unless noted otherwise in system information below.	
<b>Zone</b>	<b>Integrated Prod Temp ° F</b>
All	38-40

PLAN VIEW

SIDE VIEW



NOTE: ALL DIMENSIONS APPROXIMATE

- ELECTRICAL JUNCTION BOX (SUPPLIED WITH 6" LEADS OR POWER CORD).
- LOCATION OF DRAIN TUBE FOR REMOTE REF. ONLY (SUPPLIED WITH 3/4" OR 1 1/2" PVC TUBE).

- REFRIGERATION LINE CONNECTION.
- REMOTE FLOOR SINK & UTILITIES ACCESS AREA.

- SELF-CONTAINED CASE SERVICE ACCESS AREA.
- DRY CASE SERVICE ACCESS AREA.

### Model Technical Specifications

Model	L"	L1"	L2"	System	Circuit Volts	Phs	Freq	Amps ***	Watts	Wires	NEMA Plug	SST	BTUH	Ship Wt	Frt Cls	
M4R	N/A	49.75	17.50	Self-Contained	Circuit #1	110-120	1	60	14.50	1,325	2+G	5-20P or L5-20P	N/A	N/A	650	110
M5R	N/A	61.75	17.50	Self-Contained	Circuit #1	110-120	1	60	14.30	1,252	2+G	5-20P or L5-20P	N/A	N/A	750	110
M6R	N/A	74.75	17.50	Self-Contained	Circuit #1	208-240	1	60	11.50	2,308	2+G	6-20P or L6-20P	N/A	N/A	850	110

\*\*\* Does not include electric defrost on freezer models.

### Important Notes:

- 1) ELECTRICAL NOTE: If GFCI is required, a GFCI breaker MUST be used in lieu of a GFCI receptacle

### Regulatory Approvals:

All Models	<p>Accordance with AHRI Std 1200          ETL Listed to UL 471          ETL Listed to CAN/CSA 22.2 No. 120          ETL Sanitation to NSF 7</p>
------------	---

