

Drop-In and Freestanding Ice Chests



Servend

NEW!



1522 & 2123
Drop-In and Freestanding
Ice Chests



- Model 1522 Ice Storage Capacity: 60 lbs. (27.27 kgs)
- Model 2123 Ice Storage Capacity: 80 lbs. (36.36 kgs)
- Freestanding and drop-in versions offered with and without cold plates to meet a variety of applications.
- Integrated molded plastic base provides superior line protection and eases installation and handling.
- All ice chests include two-piece stainless steel sliding lid.

- Stainless steel construction above protective plastic base adds durability and styling.
- Added confidence in drain hygiene. 6.75' (1.82 m) of Accuflex Sani-Clean AM drain tubing made with EPA registered antimicrobial agent included with all models.



Leader in Ice & Beverage Dispensers

Countertop Ice/Bev • Drop-in • Countertop Electric • Undercounter

Manitowoc
Foodservice Group

Servend Ice Chests

Model 1522 Freestanding or Drop-In Ice Chest

Ice Storage Capacity	60 lbs. (27.27 kgs) Ice Storage Capacity
Dimensions	22" W x 15" D x 14.25" H 55.88 cm W x 38.10 cm D x 36.20 cm H
Drain	6.75' Accuflex Sani-Clean AM drain tubing with clamp provided.
Shipping Weights	Drop-In & Freestanding with cold plate: 102 lbs. (46.36 kgs). Drop-In & Freestanding without cold plate: 50 lbs. (22.73 kgs). Note: Freestanding unit requires separate SS base stand: 10 lbs. (4.55 kgs)
Countertop/Stand Weights	Drop-In & Freestanding with cold plate: 85 lbs. (38.64 kgs). Drop-In & Freestanding without cold plate: 33 lbs. (15.00 kgs).
Cold Plate Fittings	3/8" (.95 cm) barbed (all)
Options	Available with seven circuit pre-mix cold plate; or eight circuit post-mix cold plate.

Model 2123 Freestanding or Drop-In Ice Chest

Ice Storage Capacity	80 lbs. (36.36 kgs) Ice Storage Capacity
Dimensions	23" W x 21" D x 14.25" H 58.42 cm W x 53.34 cm D x 36.20 cm H
Drain	6.75' Accuflex Sani-Clean AM drain tubing with clamp provided.
Shipping Weights	Drop-In & Freestanding with cold plate: 140 lbs. (63.64 kgs). Drop-In & Freestanding without cold plate: 61 lbs. (27.73 kgs). Note: Freestanding unit requires separate SS base stand: 13 lbs. (5.91 kgs)
Countertop/Stand Weights	Drop-In & Freestanding with cold plate: 121 lbs. (55.00 kgs). Drop-In & Freestanding without cold plate: 42 lbs. (19.09 kgs).
Cold Plate Fittings	3/8" (.95 cm) barbed (all)
Options	Available with seven circuit pre-mix cold plate; or with nine circuit post-mix cold plate.

Model Number	Description
DB1522	1522 drop-in bin without cold plate
DBC1522-7	1522 drop-in bin with cold plate (pre-mix)
DBC1522-8	1522 drop-in bin with cold plate (post-mix)
FB1522	1522 freestanding bin without cold plate
FBC1522-7	1522 freestanding bin with cold plate (pre-mix)
FBC1522-8	1522 freestanding bin with cold plate (post-mix)
LS-1522	1522 stainless steel leg stand

Model Number	Description
DB2123	2123 drop-in bin without cold plate
DBC2123-7	2123 drop-in bin with cold plate (pre-mix)
DBC2123-9	2123 drop-in bin with cold plate (post-mix)
FB2123	2123 freestanding bin without cold plate
FBC2123-7	2123 freestanding bin with cold plate (pre-mix)
FBC2123-9	2123 freestanding bin with cold plate (post-mix)
LS-2123	2123 stainless steel leg stand

Model 1522

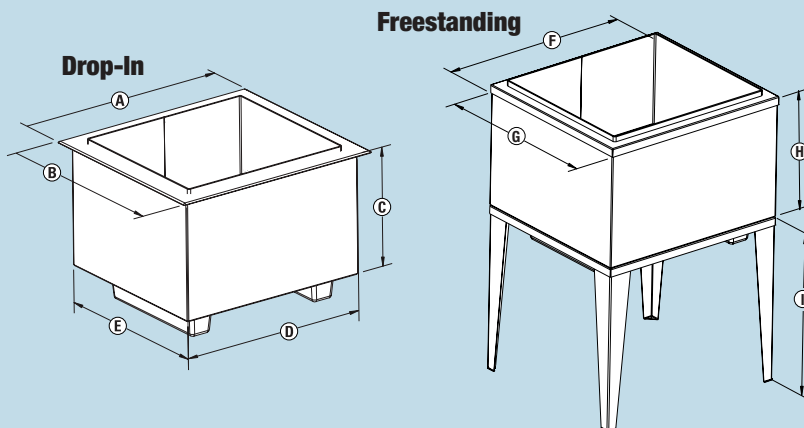
60 Lb. (27.2 kg) Capacity

- A 24.29" (618.07 mm)
- B 17.25" (438.93 mm)
- C 14.25" (362 mm)
- D 22.00" (558.8 mm)
- E 15.00" (381 mm)

Model 2123

80 Lb. (36.28 kg) Capacity

- A 25.303" (643.84 mm)
- B 23.30" (592.98 mm)
- C 14.25" (362.0 mm)
- D 23.00" (584.2 mm)
- E 21.00" (533.4 mm)



Model 1522

60 Lb. (27.2 kg) Capacity

- F 22.00" (558.8 mm)
- G 15.00" (381 mm)
- H 14.25" (362 mm)
- I 19.43" (494.50 mm)

Model 2123

80 Lb. (36.28 kg) Capacity

- F 23.00" (584.2 mm)
- G 21.00" (533.4 mm)
- H 14.25" (362.0 mm)
- I 19.43" (494.50 mm)

©2018 Servend 4103 Continuing product improvement may necessitate changes of specifications without notice. 2369



MANITOWOC BEVERAGE
EQUIPMENT, INC.
2100 Future Drive
Sellersburg, IN 47172, USA
Ph: 812-246-7000 • Fax: 812-246-7024
Visit us online at www.manitowocbeverage.com

