



CEVj-30 Post-mix Countertop Juice Dispensers

CEVj-30 Post-mix Countertop Juice Dispensers



CEVj-30

Servend's post-mix countertop electric juice dispensers offer maximum beverage cooling and customer-satisfying quality. The CEV series is designed for quick, easy installation with front and top access to all major components.

Standard Features

- Enhanced design aesthetics with modular assembly.
- Angled wrap-around illuminated merchandiser.
- Easy to service with quick access to air filter for cleaning. Easy slide on/off drain pan.
- New technology includes plug and play consolidated circuit board with compressor protection capabilities.
- 270° graphics enhance aesthetics and increase promotion of fountain beverages.
- High visibility juice graphics grab consumer attention.



ISO 9001:2000
Quality System Certified

2100 Future Drive
Sellersburg, IN 47172 USA

Tel: 812.246.7000
Fax: 812.246.7024

www.manitowocbeverage.com/us

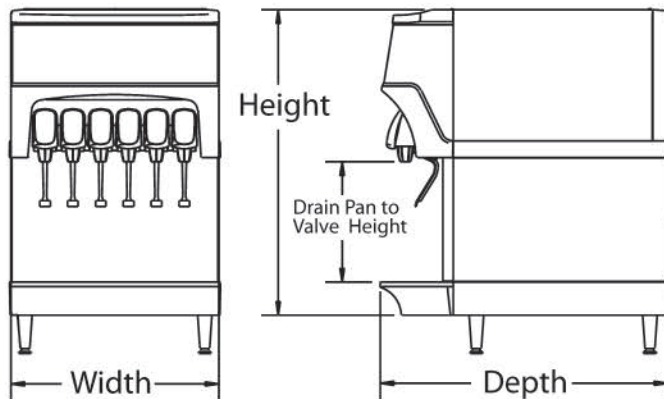


CEVJ-30 Post-mix Countertop Juice Dispensers

Specifications

Standard Features	Key switch, 3/8" (0.95 cm) barbed fittings, Flomatic 424 juice valves, 4" (10.16 cm) black metal adjustable legs, drain kits and lighted merchandiser.
Exterior Body	Replaceable stainless steel panels.
Exterior Bonnet	Injection molded ABS plastic.
Water Tank	Double wall rotocast, foamed in place polyethylene.
Valves	6 Flomatic 424 post-mix juice valves.
Electrical Requirements	120V/60Hz/1ph (domestic) • 208-230V/60Hz/1 (export) • 220-240V/50Hz/1ph (export)
Ice Bank Control	Consolidated circuit board with compressor protection capabilities.
Compressor	Tecumseh 1/3 HP
Refrigerant	R-134a
Refrigerant Deck	Lift out
Ice Bank Size (Nominal)	30-32 lbs. / 13.61-14.51 kgs.
Options	Flomatic 424 valves are available in sanitary lever & push button.
Shipping Weights	153 lbs. / 69.5 kgs.

Note: All syrup circuits/lines are ambient.



	CEV30
Width	20.50"
	52.07 cm
Depth	28.16"
	71.54 cm
Height	29.88"
	75.90 cm
Drain Pan to Valve Height	11.77"
	29.88 cm

3341A ©2010 Servend 7/10 Continuing product improvement may necessitate change of specifications without notice.