



## CT Series Countertop Tower



CT Series  
Countertop Tower

Servend's new CT Series tower allows easy addition of fountain beverages to limited-space applications. Durable stainless steel construction provides years of reliable service.

### Standard Features

- Tool-less drain pan and splash panel removal allows easy access for installation and service.
- Design is based on Servend Drop-in dispensers for common parts and appearance.
- Lighted, dual-view merchandiser, promotes fountain beverage sales.
- Can be used in conjunction with Servend ice chests or Multiplex remote refrigeration units.

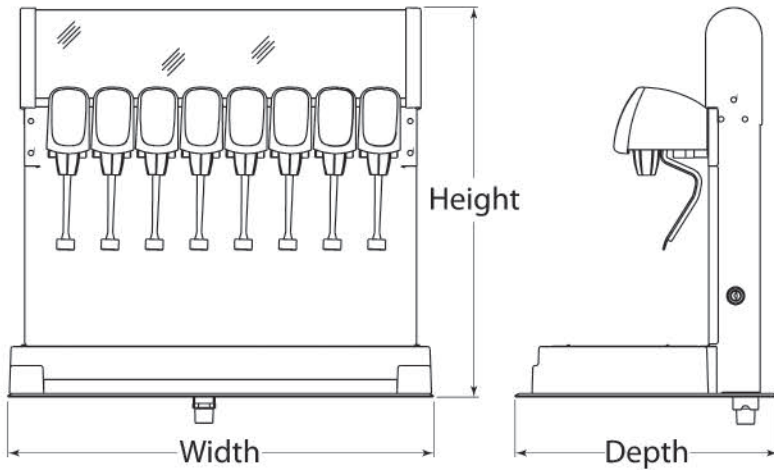


# CT Series Countertop Tower

## Specifications

	CT-6	CT-8
Standard Features	Flomatic 464 GP beverage valves. Lighted dual-view merchandiser, "Quench Your Thirst" graphics and key switch.	
Manifold	2-1-1-2	3-1-1-3
Electrical Requirements*	120V/60Hz / 2.4 FLA	120V/60Hz / 3.2 FLA
Drains	One 3/4" (1.9 cm) MPT Filling – Bottom mounted	
Shipping Weights	50 lbs. / 23 kgs	55 lbs. / 25 kgs
Options	Drop-In lightbox, splash guards and other beverage valves available.	

\*Please contact factory for international voltage



	CT-6	CT-8
Width	17.00"	25.00"
	43.18 cm	63.50 cm
Depth	14.25"	15.50"
	36.19 cm	39.37 cm
Height	22.50"	22.85"
	57.15 cm	58.04 cm

29598 ©2010 Servend 7/10 Continuing product improvement may necessitate change of specifications without notice.