



Foodservice Equipment

Job _____ Item# _____

Grooved & Smooth Two-Sided Grills TG14-AS, TG14-AG, TG14-IS & TG14-IG

Standard Features:

- Expand your menu with ToasterMaster's two sided grill. Prepare "Panini" sandwiches, chicken breasts, hamburgers, steaks, wraps vegetables and many other menu items quickly and easily while maximizing space.
- Heavy-duty 14" inch heavy-duty smooth, grooved aluminum and iron platens provide long life and superior performance keeping up with your menu requirements.
- Ergonomically designed control panel provides easy access to controls.
- A heavy-duty counter balance hinge system provides safe and effortless operation of the top platen.
- Spacious warming height accommodates product up to three inches with 3-4 pounds of pressure for proper cooking between platens.
- The bottom platen has a patented splash guard to help keep products in their place.
- Heavy gauge water resistant and flexible plastic conduit protects electrical connections.
- Thermostat is rated from 175°F (79°C) to 550°F (302°C) and provides accurate sensing of temperature.
- Aluminum platen handle provides heavy-duty, safe operation of the top platen.

Application:

Two-Sided Tortilla Press can warm food products in half the time of standard models. The heavy-duty platens retain energy and deliver faster performance. Grill is compact and portable providing flexibility in your operations.

Quality Construction:

The rugged body is constructed of 18 gauge stainless steel. The counter balance mechanism is constructed from hardened aluminum for strength and durability. The 6 foot lead-in cord is resistant to water and oil and metallic braiding protects wiring. Furnished with a 6' cord and standard NEMA plug.

Warranty:

Covered by a one year parts and labor warranty.



TG14-AS

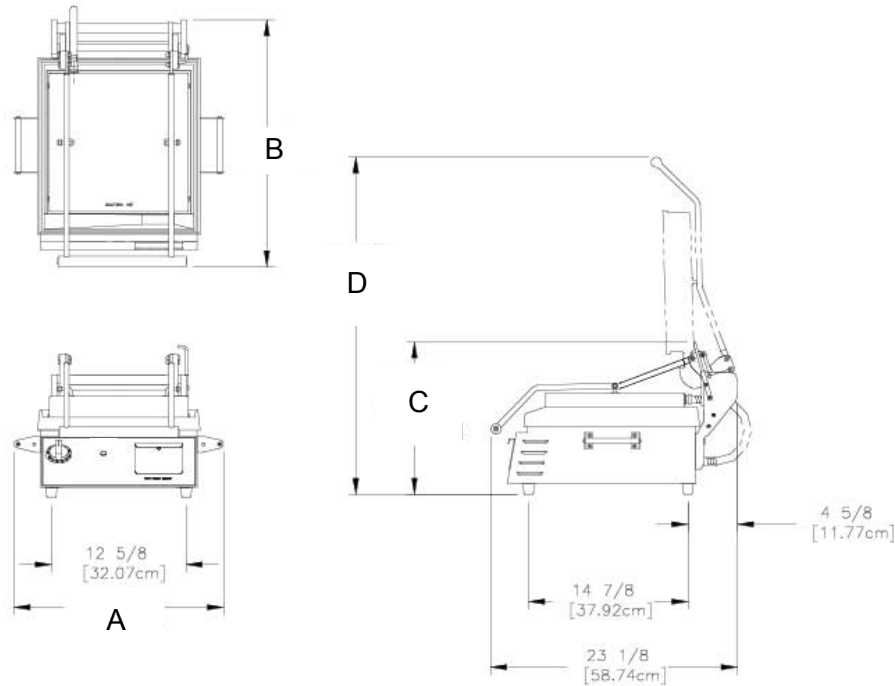


TG14-IG



Grooved & Smooth Two-Sided Grills

TG14-AS, TG14-AG, TG14-IS & TG14-IG



Model and Specifications

Model No.	Grid Surface	(A) Width Inches (cm)	(B) Depth Inches (cm)	Height		Voltage	Wattage	Amps	NEMA	Approximate Weight	
				(C) Closed Inches (cm)	(D) Open Inches (cm)					Shipping lbs. (kg)	Installed lbs. (kg)
TG14-AS	Alum.	19-5/8" (38.7)	23-1/8" (58.7)	14-1/4" (34.3)	31-5/8" (83.2)	120V	1800	15.0	5-15P	67 lbs. (29.5)	55 lbs. (24.9)
	Smooth					120C	1800	15.0	5-20P		
						208/240V	2700/3600	13.0/15.0	6-20P		
TG14-AG	Alum.	19-5/8" (38.7)	23-1/8" (58.7)	14-1/4" (34.3)	31-5/8" (83.2)	120V	1800	15.0	5-15P	67 lbs. (29.5)	55 lbs. (24.9)
	Grooved					120C	1800	15.0	5-20P		
						208/240V	2700/3600	13.0/15.0	6-20P		
TG14-IS	Iron	19-5/8" (38.7)	23-1/8" (43.8)	17-1/4" (46.4)	35-5/8" (90.5)	208/240V	2700/3600	13.0/15.0	6-20P	101 lbs. (45.9)	87 lbs. (39.4)
	Smooth										
TG14-IG	Iron	19-5/8" (38.7)	23-1/8" (43.8)	17-1/4" (46.4)	35-5/8" (90.4)	1208/240V	2700/3600	13.0/15.0	6-20P	101 lbs. (45.9)	87 lbs. (39.4)
	Grooved										

Typical Specifications

Two-Sided grill is constructed with an 18 gauge stainless steel body. Aluminum, iron, smooth & grooved platens available. A counter balance mechanism provides easy operation of the top platen. Height between platens is up to 3" with counter balance system providing 3-4 pounds of pressure to warming the product. Metal sheathed tubular elements are standard. Adjustable non-skid feet are standard. Six foot power cord with NEMA rated plug (see specifications above). Unit is UL, UL Sanitation or UL Canada Standards approved. Printed in the U.S.A.

INTENDED FOR COMMERCIAL USE ONLY. NOT FOR HOUSEHOLD USE.

TM103S/1015



Toastmaster, in line with its policy to continually improve its product, reserves the right to change materials or specifications without notice. Such revisions do not entitle the buyer to corresponding changes, improvements, additions, or replacements for previously purchased equipment.



Toastmaster® 10 Sunnen Dr. St. Louis, MO 63143
(P) 314-678-6347 • www.toastmastercorp.com