



Foodservice Equipment

Job _____ Item# _____

Gas Hot Plates

TMHP2, TMHP4, TMHP6

Standard Features:

- Available in 2, 4, and 6 burner styles (12", 24" & 36" cooking zones).
- High performance 22,000 BTU cast iron burners per 12" cooking zone.
- Removable heavy-duty cast iron grates.
- Stainless steel bull nose and front panel.
- Removable drip tray.
- Manual adjustable control with standing pilot.
- Adjustable 4" legs.



Applications:

Toastmaster gas hot plates are designed for years of maintenance free operation and reliable cooking performance. Whatever the menu item, Toastmaster hot plates will outperform the competition.

General Information:

Stainless steel front including top rail, with aluminized steel rear and sides. Units include full drip tray for easy cleaning. Gas convertible in the field with conversion kit supplied with each

hot plate. Units are shipped Natural Gas.

Warranty:

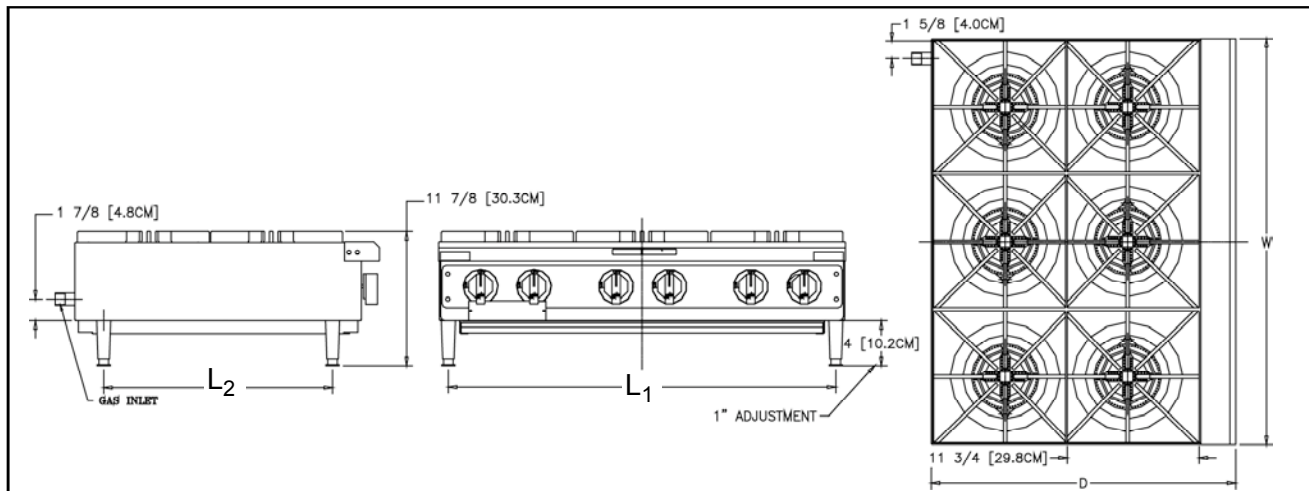
Toastmaster hot plates are covered by Toastmaster's one year parts and labor warranty.



T105/0119

Gas Hot Plates

TMHP2, TMHP4, TMHP6



Model Number	TMHP2	TMHP4	TMHP6
Dimensions	12-3/16" W x 11-15/16" H x 28-7/8" L	24-3/16" W x 11-15/16" H x 28-7/8" L	36-3/16" W x 11-15/16" H x 28-7/8" L
L1 (Inches) (cm)	10-1/2 (27.0)	22-1/2 (57.0)	34-1/2 (87.0)
L2 (Inches) (cm)	20-3/8 (52.0)	20-3/8 (52.0)	20-3/8 (52.0)
Cooking Surface Height (In.) (cm)	11-15/16 (30.0)	11-15/16 (30.0)	11-15/16 (30.0)
Number of Controls	2	4	6
Installed Weight (lbs.) (kg)	66 lbs. (60.0)	110 lbs. (50.0)	176 lbs. (80.0)
Shipping Weight (lbs.) (kg)	75 lbs. (34.1)	125 lbs. (56.6)	200 lbs. (90.9)

4" (10cm) legs with 1-3/8" (3.5cm) adjustment

Model No.	Type Gas	BTU Rating	Type Connections
TMHP2	Natural/Propane	44,000	3/4" (1.9 cm) N.P.T. Male
TMHP4	Natural/Propane	88,000	3/4" (1.9 cm) N.P.T. Male
TMHP6	Natural/Propane	132,000	3/4" (1.9 cm) N.P.T. Male

Typical Specifications:

Gas hot plates are constructed of aluminized steel with stainless steel front. Unit has aluminized steel drip pan, heavy-duty cast iron grates, cast iron 22,000 BTU burners, adjustable manual control valve, standing pilot for each burner and pressure regulator. Hot plates are available in 12", 24", or 36" wide sizes and operate on natural or propane gas. Hot plates are AGA certified and NSF and CGA listed. Printed in the U.S.A.

INTENDED FOR COMMERCIAL USE ONLY. NOT FOR HOUSEHOLD USE.



Toastmaster, in line with its policy to continually improve its product, reserves the right to change materials or specifications without notice. Such revisions do not entitle the buyer to corresponding changes, improvements, additions, or replacements for previously purchased equipment.



Toastmaster® 10 Sunnen Dr, St. Louis MO 63143 • www.toastmastercorp.com
Toll Free: 1-800-264-7827 • Telephone: 1-314-781-2777 • Fax: 1-314-781-3636