

Project	Quantity	Item #
Model Specified:		CSI Section 11400

Optional 4 HP Air Cooled Remote Condensing Units

For use with models TBC1H, TBC1HR, TBC2H** & TBC2HR** only

Remote Condensing Unit Overview

A remote condensing unit, operating on R-404A refrigerant, is required for Blast Chill operation on the above models. The remote condensing unit should be capable of providing 16,800 BTU/hr @ -10°F at the evaporator coils of the Blast Chill section.

The below 4 HP air-cooled remote condensing units are available from Traulsen as an optional accessory. Increased capacity of the remote condensing unit and line sizing will depend on the length and layout of the connecting piping from the remote condensing unit to the Blast Chill unit. Proper line sizing should be defined by a qualified refrigeration engineer or technician.

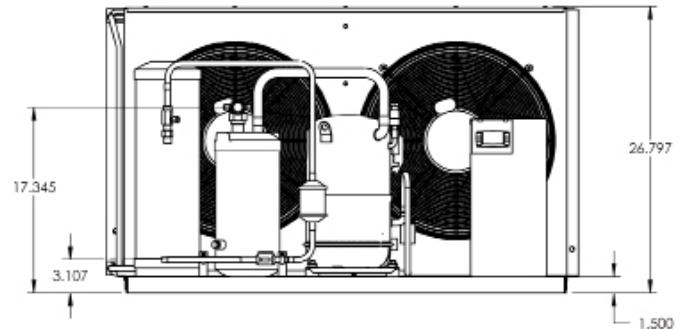
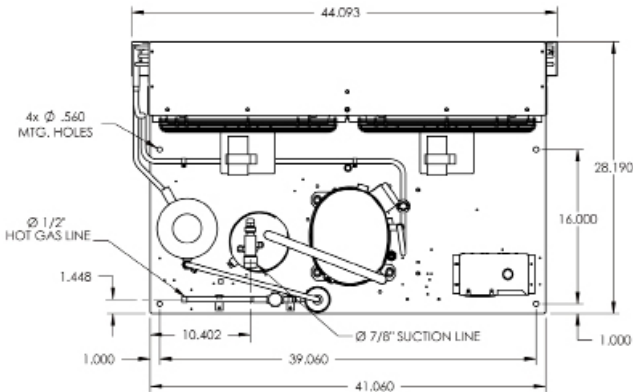
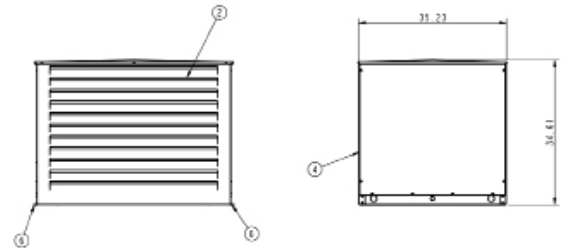
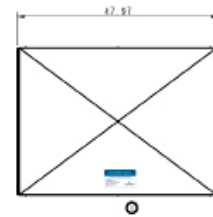
Specifications

Part No.	BCACC-60111-10	BCACC-60123-10	BCACC-60146-10
Evap. Temp. Range	+25 to -25°F	+25 to -25°F	+25 to -25°F
Refrigerant	R-404A	R-404A	R-404A
Voltage (V/P/Hz)	208-230/60/1	208-230/60/3	460/60/3
Minimum Circuit Ampacity	42.0	27.0	15.0
Max. Fuse	60 amp	40 amp	20 amp
Comp RLA	30.7	18.7	9.9
Comp LRA	125.0	102.0	48.0
Liquid Line	½ SWT	½ SWT	½ SWT
Suction Line	1⅝ SWT	1⅝ SWT	1⅝ SWT
Length in.	28.2	28.2	28.2
Width in.	44.1	44.1	44.1
Height in.	26.8	26.8	26.8
Net Weight lbs.	300	300	300
Receiver Capacity @ 90%	16.7 lbs.	16.7 lbs.	16.7 lbs.
Air Flow - CFM	4240	4240	4240

Optional Weather Hood for Condensing Unit

Part# BCACC-60122-10

** Two Required for TBC2H & TBC2HR



Performance Data Based On 90°F Ambient, 65°F Return Gas, 5°F Sub Cooling (BCACC-60111-10 only)

	-40	-35	-30	-25	-20	-15	-10	-5	0	+5	+10	+15	+20	+25	+30	+35	+40	+45
BTUH	-	-	-	10,700	12,100	14,200	16,800	19,800	23,100	26,700	30,300	33,900	37,500	40,900	-	-	-	-
WATT	-	-	-	-	-	-	-	-	-	-	-	-	-	-	-	-	-	-

Performance Data Based On 90°F Ambient, 40°F Return Gas, 5°F Sub Cooling (BCACC-60123-10 only)

	40	-35	-30	-25	-20	-15	-10	-5	0	+5	+10	+15	+20	+25	+30	+35	+40	+45
BTUH	-	-	-	10,700	12,100	14,200	16,800	19,800	23,100	26,700	30,300	33,900	37,500	40,900	-	-	-	-
WATT	-	-	-	-	-	-	-	-	-	-	-	-	-	-	-	-	-	-



TRAUlsen
 4401 BLUE MOUND RD.
 PHONE 1 (800) 825-8220
 Website: www.traulsen.com

FT. WORTH, TX 76106
 FAX-MKTG. 1 (817) 624-4302

Project	Quantity	Item #
Model Specified:		CSI Section 11400

Optional 5 HP Water Cooled Remote Condensing Units

For use with models TBC1H, TBC1HR, TBC2H & TBC2HR** only**

Remote Condensing Unit Overview

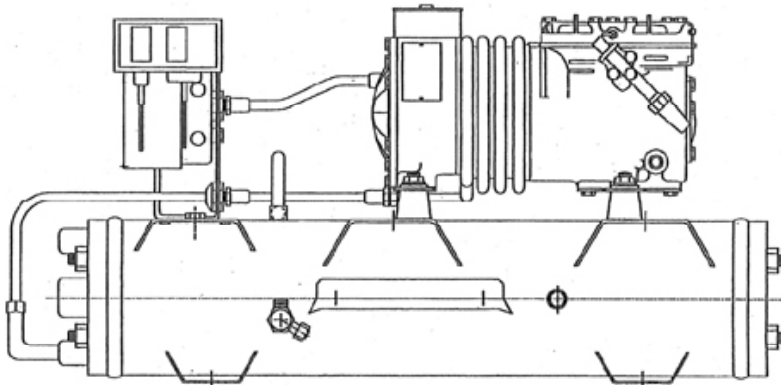
A remote condensing unit, operating on R-404A refrigerant, is required for Blast Chill operation on the above models. The remote condensing unit should be capable of providing 18,700 BTU/hr @ -10°F at the evaporator coils of the Blast Chill section.

The below 5 HP water-cooled remote condensing units are available from Traulsen as an optional accessory. Increased capacity of the remote condensing unit and line sizing will depend on the length and layout of the connecting piping from the remote condensing unit to the Blast Chill unit. Proper line sizing should be defined by a qualified refrigeration engineer or technician.

Specifications		
Part No.	BCACC-60228-00	BCACC-60229-00
Evap. Temp. Range	25 to -5°F	25 to -5°F
Refrigerant	R-404A	R-404A
Voltage (V/P/Hz)	208-230/60/1	208-230/60/3
Minimum Circuit Ampacity	38.4	23.5
Max. Fuse	60 amp	35 amp
Comp RLA	33.7	18.7
Comp LRA	125.0	102.0
Water Connection In	3/4 FPT	3/4 FPT
Water Connection Out	7/8 OD Sweat	7/8 OD Sweat
Length in.	25	25
Width in.	21.1	21.1
Height in.	21.3	21.3
Net Weight lbs.	189	215
Receiver Capacity @ 90%	16.6	16.6
Air Flow - CFM	----	----
Water Flow - GPM ¹	1.6 to 3.1	1.6 to 3.1

**** Two Required for TBC2H & TBC2HR**

1= @ 75 degree F inlet and 20 degree F rise.



HFC-404A Low Temperature Capabilities (BTUH)

Evap Temp	0	-5	-10	-15	-20	-25	-30	-35	-40
BTUH	26,700	23,300	20,400	17,500	15,120	13,100	11,200	9,520	8,200
GPM	9.2	8.3	7.5	6.7	5.9	5.2	4.6	3.9	3.3

Continued product development may necessitate specification changes without notice.

Part No. TR35802 (revised 1/13)

TRAULSEN
 4401 BLUE MOUND RD.
 PHONE 1 (800) 825-8220
 Website: www.traulsen.com

FT. WORTH, TX 76106
 FAX-MKTG. 1 (817) 624-4302

