

Project	Quantity	Item #
Model Specified:		CSI Section 11400

# Optional Roll-In Rack - Accessory # BCACC-OTRTR

For use with models TBC1H, TBC1HR, TBC2H & TBC2HR only

## Construction and Hardware

Welded construction with casters. Provided with adjustable Universal Tray Slides.  
 Roll-In Rack provides maximum chill performance, with open sides for optimum air flow.

## Specifications

Length	24½" (62.0 cm)	Holds	(Qty-24)	12" x 20" x 2½" pans
Depth	26" (66.0 cm)	or	(Qty-12)	18" x 26" sheet pans
Height	64" (162.5 cm)	or	(Qty-24)	14" x 18" sheet pans



Part # 342-60132-00

Approval: \_\_\_\_\_



TRAULSEN  
 4401 BLUE MOUND RD.  
 PHONE 1 (800) 825-8220  
 Website: www.traulsen.com

FT. WORTH, TX 76106  
 FAX-MKTG. 1 (817) 624-4302

Project	Quantity	Item #
Model Specified:		CSI Section 11400

## Optional Condensate Evaporator Accessory Kits

For use with models TBC13, TBC1H, TBC1HR, TBC2H & TBC2HR

### Description of Purpose

Designed for use with the above models in order to provide condensate removal in lieu of a floor drain. Each includes a two-piece stainless steel upper and lower housing, which provides protection from damaging impacts, and a thermally activated evaporative pan with 10 foot cord and plug (requires provision of a separate electrical outlet) for models TBC1H, TBC1HR, TBC2H & TBC2HR.

**Note: Model TBC13 this can be mounted in the cabinet bottom, however for models TBC1H, TBC1HR, TBC2H & TBC2HR these are in a compartment at the cabinet bottom.**

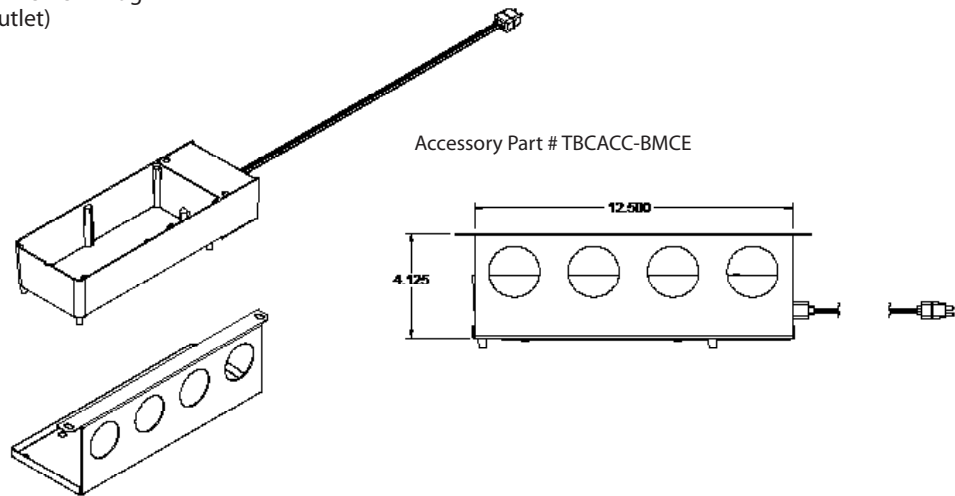
### Accessory Kit BCACC-60018

Floor mounted condensate evaporator for models TBC1H, TBC1HR, TBC2H & TBC2HR only

Length	13-1/8" (33.3 cm)	Cord and plug (3 wire w/ground)	10 ft. (3.1m)
Depth	5-1/16" (12.9 cm)	Voltage	115/60/1
Height	3-1/2" (8.9 cm)	Full Load Amperes	1.5 amps



The above Only Uses One NEMA 5-15 P Plug  
(requires separate electrical outlet)



### Accessory Kit TBCACC-BMCE

Bottom mounted condensate evaporator for model TBC13 only

Length	12-1/2" (31.75 cm)	Cord (for outlet mounted on unit only)	18 in. (45.72 cm)
Depth	4-7/8" (12.38 cm)	Voltage	220/60/1
Height	4-1/8" (10.48 cm)	Full Load Amperes	1.4 amps

**NOTE: On model TBC13 the cabinet includes provisions for mounting the condensate evaporator to the cabinet bottom. This includes an outlet located on the cabinet bottom and pre-drilled mounting holes on the cabinet bottom.**

Continued product development may necessitate specification changes without notice.  
Part No. TR35801 (revised 1/13)

TRAUlsen  
4401 BLUE MOUND RD.  
PHONE 1 (800) 825-8220  
Website: www.traulsen.com

FT. WORTH, TX 76106  
FAX-MKTG. 1 (817) 624-4302

