

Project

Quantity

Item #

Model Specified:

CSI Section 11400

### G-Series Pass-Thru Glass Door Refrigerators/Self-Contained R290



Equipped with an easy to use microprocessor control!



Model G11052-032



Stainless Steel Front

### One & Two Section Models, 32" Deep

		Control Side	Non Control Side
G11042-032	Half Door Hinged	Right	Right
G11043-032	Half Door Hinged	Right	Left
G11044-032	Half Door Hinged	Left	Left
G11045-032	Half Door Hinged	Left	Right
G11052-032	Full Door Hinged	Right	Right
G11053-032	Full Door Hinged	Right	Left
G11054-032	Full Door Hinged	Left	Left
G11055-032	Full Door Hinged	Left	Right
G21044-032	Half Door Hinged	Left/Right	Left/Right
G21045-032	Half Door Hinged	Left/Left	Left/Left
G21046-032	Half Door Hinged	Right/Left	Right/Left
G21047-032	Half Door Hinged	Right/Right	Right/Right
G21054-032	Full Door Hinged	Left/Right	Left/Right
G21055-032	Full Door Hinged	Left/Left	Left/Left
G21056-032	Full Door Hinged	Right/Left	Right/Left
G21057-032	Full Door Hinged	Right/Right	Right/Right

Traulsen shares your commitment to Corporate Sustainability initiatives and knows that it is more than just meeting the current and future regulatory requirements set by the EPA and DOE. We are committed to reducing global warming potential (GWP) and saving energy consumption while maintaining the performance and quality you have come to expect from Traulsen products.

Traulsen is proud to offer the North American market a broad selection of self-contained reach in and compact undercounter refrigeration with R290, a natural recurring refrigerant with a GWP of (3), the lowest currently available in our industry.

### Standard Product Features

- High Quality Stainless Steel Exterior Front
- Corrosion Resistant Anodized Aluminum One-Piece Sides
- Durable Anodized Aluminum Interior
- Microprocessor Control With LED Temperature Readout
- Top-Mounted, Balanced, Self-Contained Refrigeration System
- Large High Humidity Evaporator Coil Outside The Food Zone
- Load-Sure Guard Protects Against Improper Loading
- Full or Half Length Hinged Glass Doors With Locks
- Self-Closing Doors With Stay Open Feature At 120 Degrees
- Guaranteed For Life Cam-Lift Hinges
- LED Lights With Front Mounted Switch
- Damage Resistant Stainless Steel Breaker Caps
- Three (3) Adjustable Epoxy Coated Shelves, Supported On Shelf Pins (installed at the factory)
- Energy Saving Automatic Non-Electric Condensate Evaporator
- Magnetic Snap-In EZ-Clean Door Gaskets
- Anti-Condensate Door Perimeter Heaters
- Thermostatic Expansion Valve Metering Device Provides Quick Refrigeration Recovery Times
- Stainless Steel One-Piece Louver Assembly
- 9' Cord & Plug Attached
- Set of Four (4) 6" High Casters With Locks
- Three Year Parts And Labor Warranty
- Five Year Compressor Warranty



### Sustainability Features

- SNAP compliant R290 (GWP 3) Refrigerant EPA Rule 20
- All Metal Construction And Long Equipment Life Reduces Pressure On Landfills
- Real World Energy Efficiency Helps Reduce Fossil

### Optional Accessory Kits

- Additional Epoxy Coated Shelves\*
- No. 1 Type Tray Slides\* To Accommodate either: (1) 18" x 26" or (2) 14" x 18" Sheet Pans, Adjustable To 2" O.C.
- No. 4 Type Tray Slides\* To Accommodate (1) 18" x 26" Sheet Pans (equips one full section)
- Universal Type Tray Slides\* To Accommodate Either (1) 18" x 26" or (2) 14" x 18" Sheet Pans, or (2) 12" x 20" Steam Table Pans, Adjustable To 4" O.C.
- Plated Shelves\* (for use in lieu of standard shelving)
- EZ-Change Interiors (#1, universals, universal heavy duty tray slides and shelves)
- 6" High Adjustable Legs (for use in lieu of standard casters)

\*Please refer to spec sheet TR35872 for optional accessory kit details.

\*\*All optional accessory kits are shipped separately for later installation by others at the jobsite.



Intertek



This unit is listed to UL 471, CSA 120 and NSF 7 by an approved NRTL. Consult the factory or unit data plate for approval information.

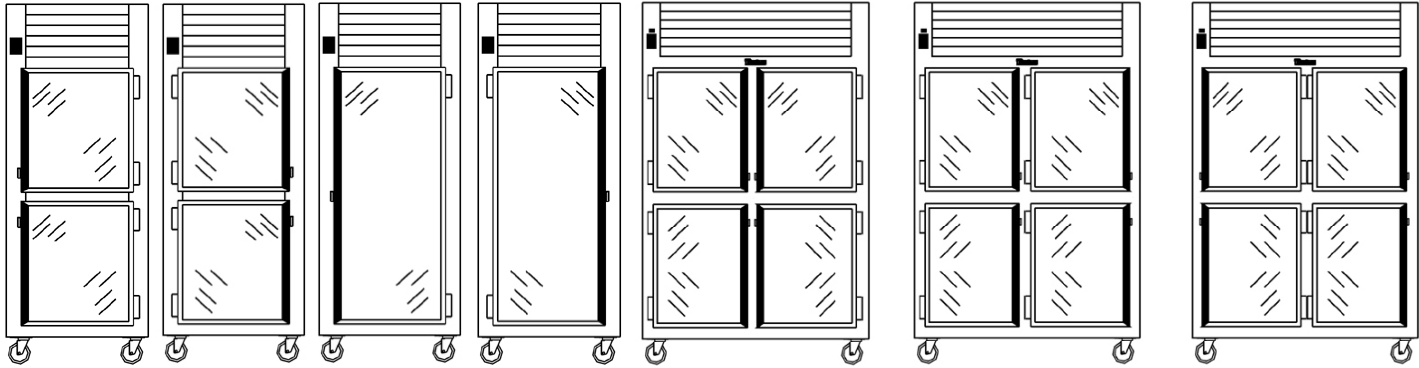
Approval: \_\_\_\_\_



TRAULSEN  
4401 BLUE MOUND RD.  
PHONE 1 (800) 825-8220  
Website: www.traulsen.com

FT. WORTH, TX 76106  
FAX-MKTG. 1 (817) 624-4302

Project	Quantity	Item #
Model Specified:		CSI Section 11400



**Elevation**  
G11042-032  
G11043-032

**Elevation**  
G11044-032  
G11045-032

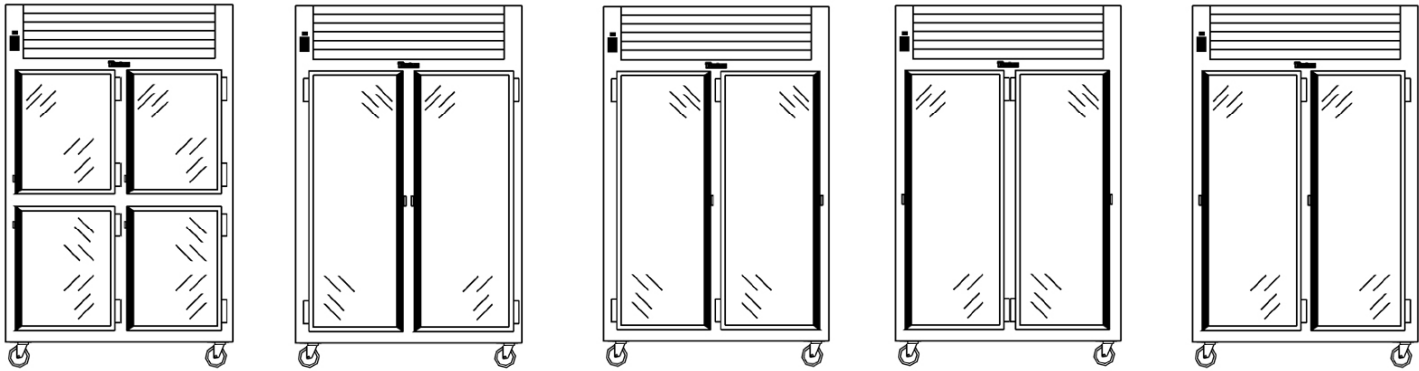
**Elevation**  
G11052-032  
G11053-032

**Elevation**  
G11054-032  
G11055-032

**Elevation**  
G21044-032

**Elevation**  
G21045-032

**Elevation**  
G21046-032



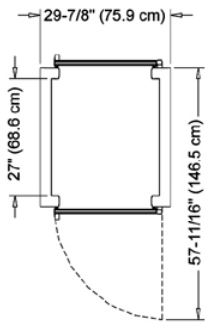
**Elevation**  
G21047-032

**Elevation**  
G21054-032

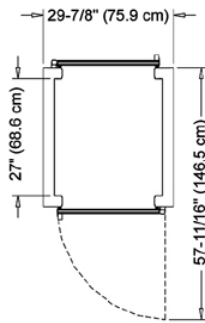
**Elevation**  
G21055-032

**Elevation**  
G21056-032

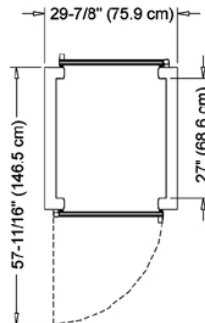
**Elevation**  
G21057-032



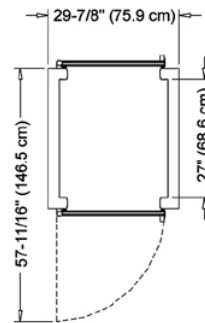
**Plan**  
G11042-032  
G11052-032



**Plan**  
G11043-032  
G11053-032



**Plan**  
G11044-032  
G11054-032



**Plan**  
G11045-032  
G11055-032

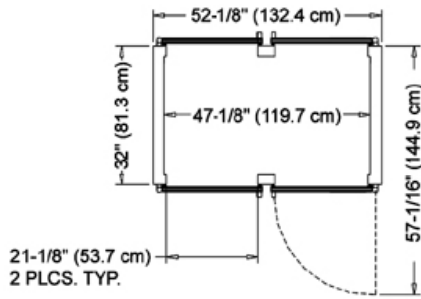
Project

Quantity

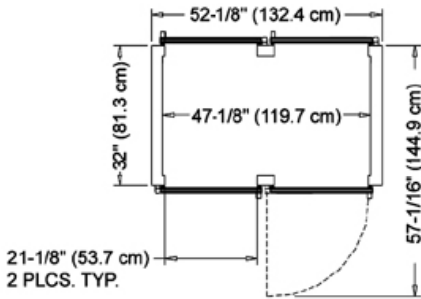
Item #

Model Specified:

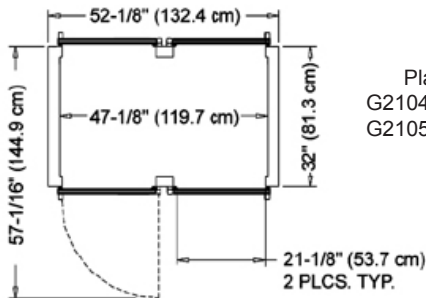
CSI Section 11400



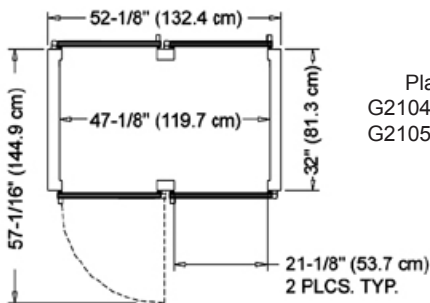
Plan  
G21044-032  
G21054-032



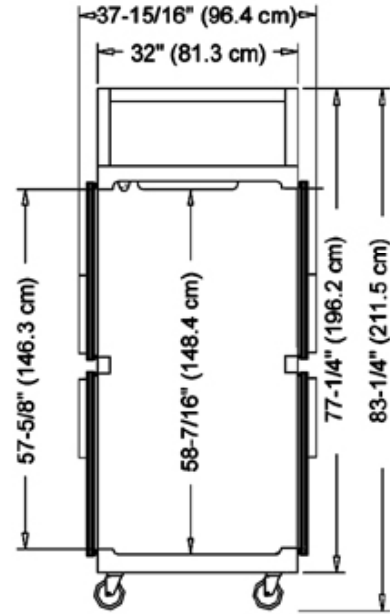
Plan  
G21045-032  
G21055-032



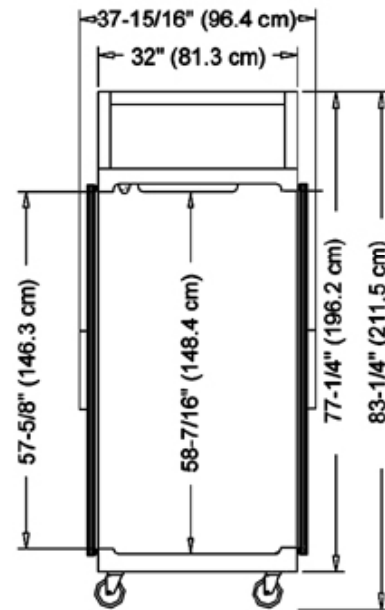
Plan  
G21046-032  
G21056-032



Plan  
G21047-032  
G21057-032



Section View  
All Half Height Door Models



Section View  
All Full Height Door Models



TRAULSEN  
4401 BLUE MOUND RD.  
PHONE 1 (800) 825-8220  
Website: www.traulsen.com

FT. WORTH, TX 76106  
FAX-MKTG. 1 (817) 624-4302

Project	Quantity	Item #
Model Specified:		CSI Section 11400

## Specifications

### Construction, Hardware and Insulation

Cabinet exterior front, louver assembly and doors are constructed of 20 gauge stainless steel. Cabinet sides (including returns), interior and door liners are constructed of anodized aluminum. The exterior cabinet top and bottom are constructed of heavy gauge aluminized steel. A set of four (4) 6" high casters are included.

Doors are equipped with removable plug cylinder locks and guaranteed for life cam-lift, gravity action, self-closing metal, glide hinges with stay open feature at 120 degrees. An external switch is provided to activate the interior LED lighting.

Gasket profile and Santoprene® material simplify cleaning and increase overall gasket life. Anti condensate heaters are located behind each door opening.

The cabinet is insulated with an average of 2" thick high density, non-CFC, foamed in place polyurethane.

DIMENSIONAL DATA	1-Section Models	2-Section Models
Net capacity cu. ft.	25.9 (733 cu l)	50.2 (1422 cu l)
Length - overall in.	29 $\frac{5}{8}$ (75.9 cm)	52 $\frac{1}{2}$ (132.4 cm)
Depth - overall in.	37 $\frac{15}{16}$ (96.4 cm)	37 $\frac{15}{16}$ (96.4 cm)
Depth - over body in.	32 (81.3 cm)	32 (81.3 cm)
Depth - doors open 90° in.	83 $\frac{3}{8}$ (211.8 cm)	83 $\frac{3}{8}$ (211.8 cm)
Clear door width in.	21 $\frac{1}{8}$ (53.6 cm)	21 $\frac{1}{8}$ (53.6 cm)
Clear half-door height in.	27 $\frac{1}{2}$ (69.9 cm)	27 $\frac{1}{2}$ (69.9 cm)
Clear full-door height in.	57 $\frac{1}{2}$ (146.3 cm)	57 $\frac{1}{2}$ (146.3 cm)
Height-overall on 6" casters <sup>3</sup>	83 $\frac{1}{4}$ (211.5 cm)	83 $\frac{1}{4}$ (211.5 cm)
No. Standard Shelves	3	6
Shelf area sq. ft. <sup>1</sup>	18.8 (1.75 sq m)	34.6 (3.21 sq m)
ELECTRICAL DATA		
Voltage	115/60/1	115/60/1
Feed wires with Ground	3	3
Full load amperes	6.1	11.5
REFRIGERATION DATA		
Refrigerant	R290	R290
BTU/HR H.P. <sup>2</sup>	1940 ( $\frac{1}{2}$ HP)	2740 ( $\frac{3}{4}$ HP)
SHIPPING DATA		
Length - crated in.	35 (89 cm)	63 (160 cm)
Depth - crated in.	43 (109 cm)	43 (109 cm)
Height - crated in.	83 $\frac{1}{2}$ (212 cm)	83 $\frac{1}{2}$ (212 cm)
Volume - crated cu. ft.	71 (2011 cu l)	131 (3711 cu l)
Net Wt. lbs.	305 (138 kg)	450 (204 kg)
Gross Wt. lbs.	395 (179 kg)	590 (268 kg)

### NOTES:

1=Figures in parentheses reflect metric equivalents.

2=Figure shown reflects the area of standard shelf compliment plus the additional storage area available on the cabinet bottom.

3=Based on a 90 degree F ambient and 20 degree F evaporator.

4=12" Top clearance preferred for optimum performance and service access.

5=Net capacity may change depending on specific cabinet model.

6=When ordering please specify: Voltage, Hinging, Door Size and Options.

7=This unit may be manufactured in other electrical characteristics and may have additional regulatory agency approvals.

Consult factory for other electrical characteristics and agency approvals based on specific electrical and country requirements.

(For exact electrical information and approval marks, always refer to the data label of the unit.)

8= Continued product development may necessitate specification changes without notice.

### Refrigeration System

A top mounted, self-contained, balanced refrigeration system using R290 refrigerant is conveniently located behind the one piece louver assembly. It features an easy to clean front facing condenser, thermostatic expansion valve, air-cooled hermetic compressor, large, high humidity evaporator coil located outside the food zone and a top mounted non-electric condensate evaporator. A 9' cord and plug is provided. Standard operating temperature is 34 to 38°F.

### Controller

The easy to use water resistant microprocessor control system is supplied standard. It includes a 3-Digit LED Display, and a Fahrenheit or Celsius Temperature Scale Display Capability.

### Interior

Standard interior arrangements include three (3) epoxy coated wire shelves per section, mounted on shelf pins, installed at the factory. Shelves are full-width, and do not have any large gaps between them requiring the use of "bridge" or "junior shelves." Recommended load limit per shelf should not exceed 225 lbs.

### Warranties

Both a three year parts and labor warranty and a five year compressor warranty (self-contained models only) are provided standard.



Equipped With One NEMA 5-15 P Plug

Part No. TR35982 (REV. 02-23-16)

TRAUlsen  
4401 BLUE MOUND RD.  
PHONE 1 (800) 825-8220  
Website: www.traulsen.com

FT. WORTH, TX 76106  
FAX-MKTG. 1 (817) 624-4302

**Traulsen**