

Project

Quantity

Item #

Model Specified:

CSI Section 11400

G-Series Pass-Thru Hot Food Holding Cabinets



Equipped with an easy to use microprocessor control!



Model G24314P



One & Two Section Models, 32" Deep

Aside from their anodized aluminum side and interior finishes, Traulsen's G-Series "Dealer's Choice" models meet or exceed the standard specifications and performance of most other brands top tier product offerings. Reliable, energy efficient, and durable, with large individual storage capacities, the high quality G-Series hot food holding cabinet line-up includes a wide range of one and two section reach-in models, built in our most popular footprints. They are available with either full or half height doors, and the added convenience of a variety of different door hings to choose from. In addition, each also includes a number of user-friendly features, making them one of the best overall equipment values in Foodservice today, and the right fit for nearly any commercial application.

AVAILABLE MODELS

*Door hinging when viewed from that side.

| Single Section Models | | | | Two Section Models | | | |
|-----------------------|------|---------------------|----------|--------------------|------|---------------------|-------------|
| Model # | Door | Other Side Hinging* | Hinging* | Model # | Door | Other Side Hinging* | Hinging* |
| G14302P | Half | Right | Right | G24304P | Half | Left/Right | Left/Right |
| G14303P | Half | Right | Left | G24305P | Half | Left/Left | Left/Left |
| G14304P | Half | Left | Left | G24307P | Half | Right/Right | Right/Right |
| G14305P | Half | Left | Right | G24314P | Full | Left/Right | Left/Right |
| G14312P | Full | Right | Right | G24315P | Full | Left/Left | Left/Left |
| G14313P | Full | Right | Left | G24317P | Full | Right/Right | Right/Right |
| G14314P | Full | Left | Left | | | | |
| G14315P | Full | Left | Right | | | | |

Standard Product Features

- High Quality Stainless Steel Exterior Front and Doors
- Corrosion Resistant Anodized Aluminum One-Piece Sides
- Durable Anodized Aluminum Interior
- Microprocessor Control With LED Temperature Readout Ducted Fan Air Distribution System
- Standard Operating Temperature Range 135 to 180°F
- One-Time Start-Up Temperature Adjustment Feature
- ON/OFF Switch Located On Control Face
- Full or Half Length Stainless Steel Doors With Locks
- Self-Closing Doors With Stay Open Feature At 120 Degrees
- Guaranteed For Life Cam-Lift Hinges
- Guaranteed For Life Horizontal Work Flow Door Handles
- Automatically Activated Incandescent Lights
- Damage Resistant Stainless Steel Breaker Caps
- Three (3) Plated Wire Shelves Per Section, Supported On Pilasters (installed at the factory)
- Magnetic Snap-In EZ-Clean Door Gaskets
- Gasket-Protecting Anodized Aluminum Door Liner
- Stainless Steel One-Piece Louver Assembly
- 9' Cord & Plug Attached (one section models only)
- Set of Four (4) 6" High Casters With Locks
- Three Year Parts And Labor Warranty

Optional Accessory Kits

- Additional Plated Shelves*
- No. 1 Type Tray Slides* To Accommodate either: (1) 18" x 26" or (2) 14" x 18" Sheet Pans, Adjustable To 2" O.C.
- No. 4 Type Tray Slides* To Accommodate (1) 18" x 26" Sheet Pans (equips one full section)
- Universal Type Tray Slides* To Accommodate Either (1) 18" x 26" or (2) 14" x 18" Sheet Pans, or (2) 12" x 20" Steam Table Pans, Adjustable To 4" O.C. (one section models only)
- EZ-Change Interiors To Accommodate Either #1, universals, universal heavy duty tray slides and shelves (universals one section models only)
- 6" High Adjustable Legs (for use in lieu of standard casters)

*Please refer to spec sheet TR35872 for optional accessory kit details.

All optional accessory kits are shipped separately for later installation by others at the jobsite.



* All models are ENERGY STAR® listed. Please refer to www.energystar.gov to view the most up-to-date product listing and performance data.



Listed by Underwriters Laboratories Inc., to U.S. and Canadian safety standards and Listed by NSF International.



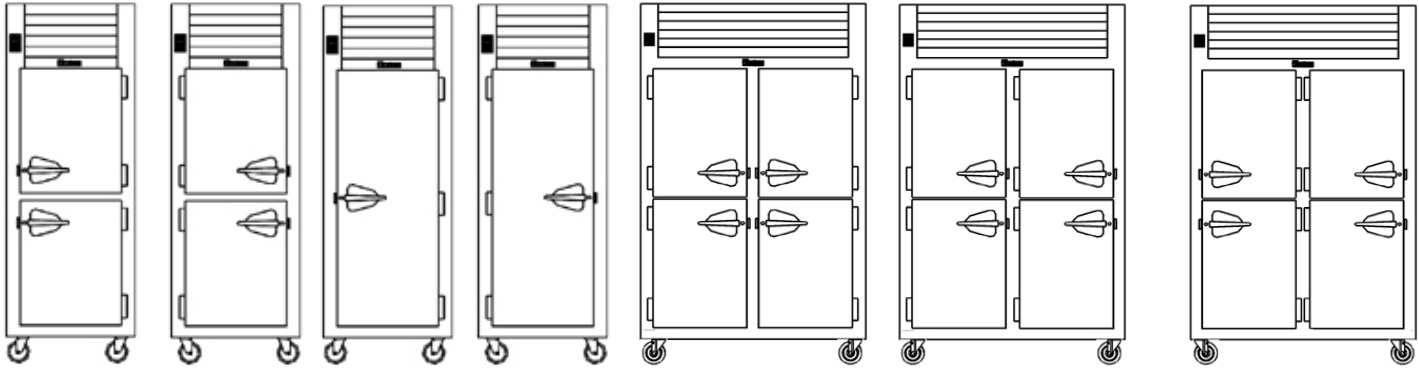
Approval: _____



TRAULSEN
4401 BLUE MOUND RD.
PHONE 1 (800) 825-8220
Website: www.traulsen.com

FT. WORTH, TX 76106
FAX-MKTG. 1 (817) 624-4302

| Project | Quantity | Item # |
|------------------|----------|-------------------|
| Model Specified: | | CSI Section 11400 |



Elevation
G14302P
G14303P

Elevation
G14304P
G14305P

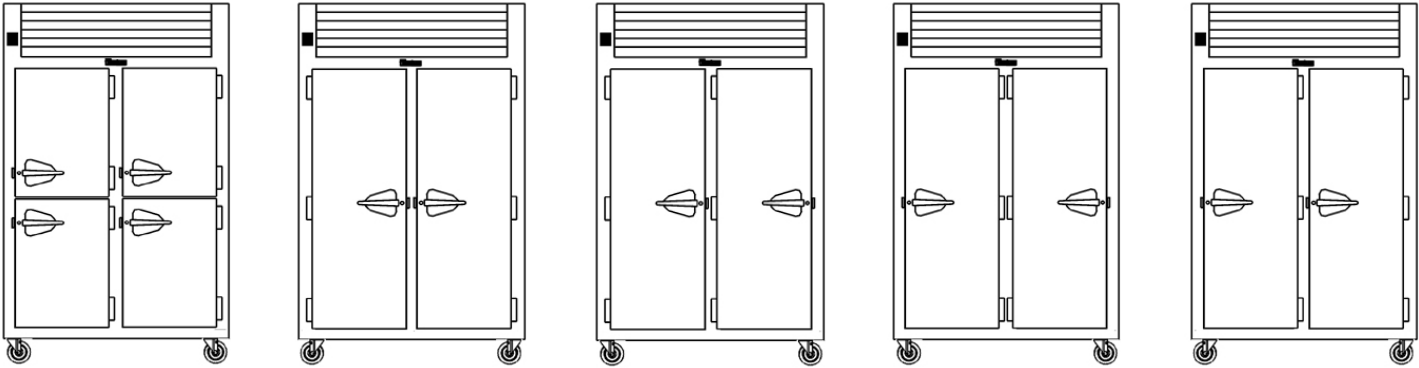
Elevation
G14312P
G14313P

Elevation
G14314P
G14315P

Elevation
G24304P

Elevation
G24305P

Elevation
G24306P



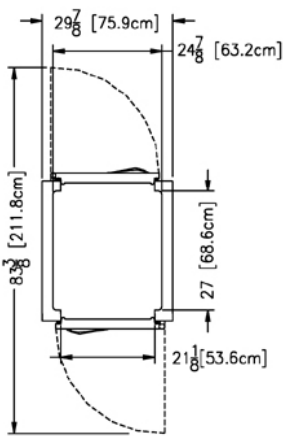
Elevation
G24307P

Elevation
G24314P

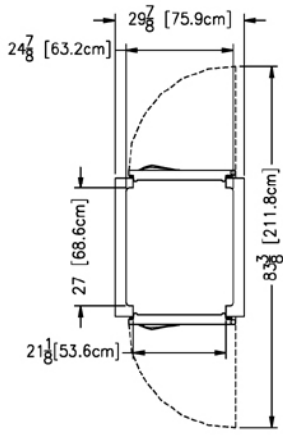
Elevation
G24315P

Elevation
G24316P

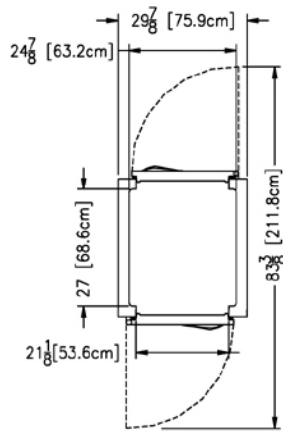
Elevation
G24317P



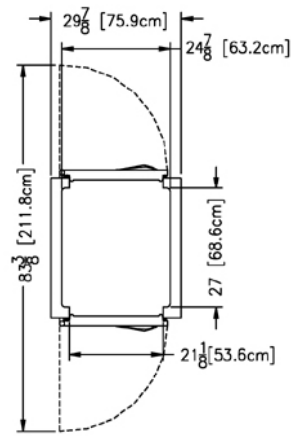
Plan
G14302P
G14312P



Plan
G14303P
G14313P



Plan
G14304P
G14314P



Plan
G14305P
G14315P

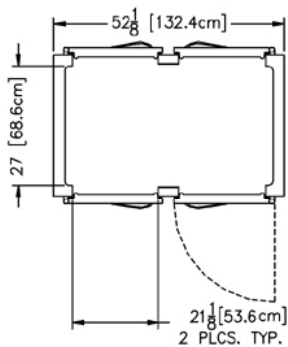
Project

Quantity

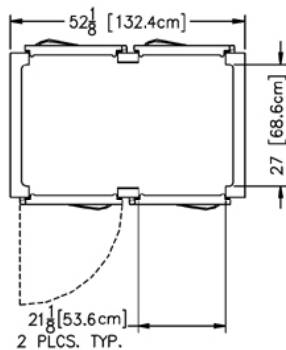
Item #

Model Specified:

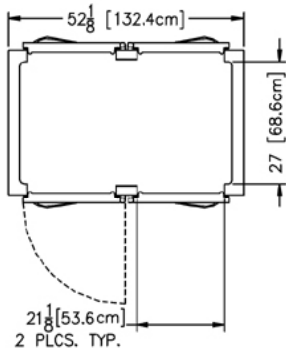
CSI Section 11400



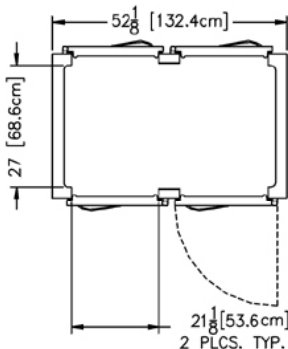
Plan
G24304P
G24314P



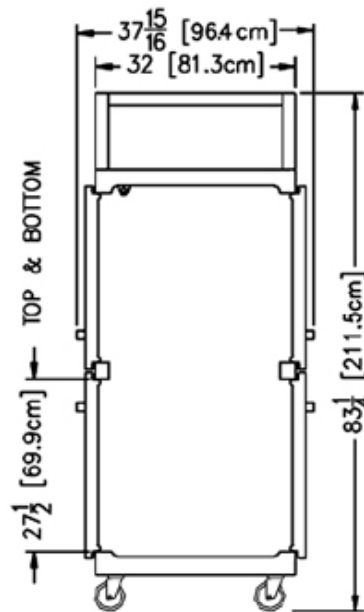
Plan
G24305P
G24315P



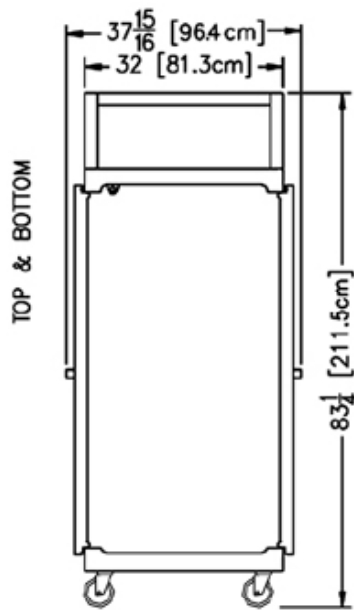
Plan
G24306P
G24316P



Plan
G24307P
G24317P



Section View
All Half Height Door Models



Section View
All Full Height Door Models



TRAULSEN
4401 BLUE MOUND RD.
PHONE 1 (800) 825-8220
Website: www.traulsen.com

FT. WORTH, TX 76106
FAX-MKTG. 1 (817) 624-4302

| | | |
|------------------|----------|-------------------|
| Project | Quantity | Item # |
| Model Specified: | | CSI Section 11400 |

Specifications

Construction, Hardware and Insulation

Cabinet exterior front, louver assembly and doors are constructed of 20 gauge stainless steel. Cabinet sides (including returns), interior and door liners are constructed of anodized aluminum. The exterior cabinet top and bottom are constructed of heavy gauge aluminized steel. A set of four (4) 6" high casters are included.

Doors are equipped with a gasket protecting metal door pan, removable plug cylinder locks and guaranteed for life cam-lift, gravity action, self-closing metal, glide hinges with stay open feature at 120 degrees. Hinges include a concealed switch to automatically activate the interior incandescent lighting. Guaranteed for life, work flow door handles are mounted horizontally over recess in door which limits protrusion from door face into aiseways.

Gasket profile and Santoprene® material simplify cleaning and increase overall gasket life. Anti condensate heaters are located behind each door opening.

Both the cabinet and doors are insulated with an average of 2" thick high density, non-CFC, foamed in place polyurethane.

| DIMENSIONAL DATA | 1-Section Models | 2-Section Models |
|---|-----------------------------|-----------------------------|
| Net capacity cu. ft. | 25.6 (719 cu l) | 48.8 (1371 cu l) |
| Length - overall in. | 29 $\frac{7}{8}$ (75.9 cm) | 52 $\frac{1}{8}$ (132.4 cm) |
| Depth - overall in. | 37 $\frac{1}{16}$ (96.4 cm) | 37 $\frac{1}{16}$ (96.4 cm) |
| Depth - over body in. | 32 (81.3 cm) | 32 (81.3 cm) |
| Depth - door open 90° in. | 57 $\frac{7}{8}$ (146.3 cm) | 57 $\frac{7}{8}$ (146.3 cm) |
| Clear door width in. | 21 $\frac{1}{8}$ (53.6 cm) | 21 $\frac{1}{8}$ (53.6 cm) |
| Clear half-door height in. | 27 $\frac{1}{2}$ (69.9 cm) | 27 $\frac{1}{2}$ (69.9 cm) |
| Clear full-door height in. | 57 $\frac{7}{8}$ (146.3 cm) | 57 $\frac{7}{8}$ (146.3 cm) |
| Height-overall on 6" casters ² | 83 $\frac{1}{4}$ (211.5 cm) | 83 $\frac{1}{4}$ (211.5 cm) |
| No. Standard Shelves | 3 | 6 |
| Shelf area sq. ft. ¹ | 18.8 (1.75 sq m) | 34.6 (3.21 sq m) |
| ELECTRICAL DATA | | |
| Voltage | 208/115/60/1 | 208/115/60/1 |
| Feed wires with Ground | 4 | 4 |
| Wattage @ 208V | 1500 | 3000 |
| Full load amperes | 7.8 | 15.5 |
| SHIPPING DATA | | |
| Length - crated in. | 35 (89 cm) | 63 (160 cm) |
| Depth - crated in. | 43 (109 cm) | 43 (109 cm) |
| Height - crated in. | 83 $\frac{1}{2}$ (212 cm) | 83 $\frac{1}{2}$ (212 cm) |
| Volume - crated cu. ft. | 71 (2011 cu l) | 131 (3711 cu l) |
| Net Wt. lbs. | 305 (138 kg) | 450 (204 kg) |
| Gross Wt. lbs. | 395 (179 kg) | 590 (268 kg) |

NOTES

NOTE: Figures in parentheses reflect metric equivalents.

1= Figure shown reflects the area of standard shelf complement plus the additional storage area available on the cabinet bottom.

2= 12" Top clearance preferred for optimum performance and service access.

Heating System

A low watt density, serpentine style, heater is employed for the generation of electric heat. Low velocity air is forced across its large surface area to efficiently move heat radiating away from these through a down-air distribution duct, where it is then evenly distributed throughout the cabinet, assuring the proper holding environment for hot food product, without drying. A vent, located at the top of the cabinet, is included for positive humidity control.

Controller

The easy to use water resistant microprocessor control system is supplied standard. It includes a 3-Digit LED Display, and a Fahrenheit or Celsius Temperature Scale Display Capability.

Interior

Standard interior arrangements include three (3) plated wire shelves per section, mounted on pilasters, installed at the factory. Shelves are full-width, and do not have any large gaps between them requiring the use of "bridge" or "junior shelves." Recommended load limit per shelf should not exceed 225 lbs.

Warranties

A three year parts and labor warranty is provided standard.



Equipped With One NEMA L-14-20P Plug
(one section models only)

NOTE: When ordering please specify: Voltage, Hinging, Door Size, Options and any additional warranties.

Continued product development may necessitate specification changes without notice.

Part No. TR35903 (revised 8/13)

TRAUlsen
4401 BLUE MOUND RD.
PHONE 1 (800) 825-8220
Website: www.traulsen.com

FT. WORTH, TX 76106
FAX-MKTG. 1 (817) 624-4302

