

G-Series Standard & EZ-Change Interior Versatility Chart

Tray Slide Chart

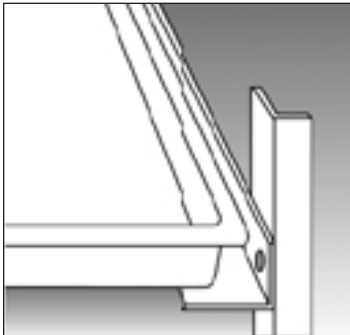
#1 Type Tray Slides (as supplied with TK1 Accessory kits)* EZ-Change Interiors #1 Tray Slides (max up to 36 pairs)	2" Spacing	3" Spacing	4" Spacing	5" Spacing
Behind full height door-all models	28	19	14	11
Behind upper half height door-all models	13	9	7	5
Behind lower half height door-all models	13	9	7	5

#4 Type Tray Slides (as supplied with TK2 Accessory kits)*	1 1/2" Spacing
Behind full height door-all models	38
Behind upper half height door-all models	18
Behind lower half height door-all models	18

Universal Tray Slides (as supplied with TK4 Accessory kits)* EZ-Change Interiors Universal Tray Slides (max up to 22 pairs) EZ-Change Interiors Heavy Duty Universal Tray Slides (max up to 10 pairs)	4" Spacing	5" Spacing	6" Spacing
Behind full height door-all models	14	11	9
Behind upper half height door-all models	7	5	4
Behind lower half height door-all models	6	4	4

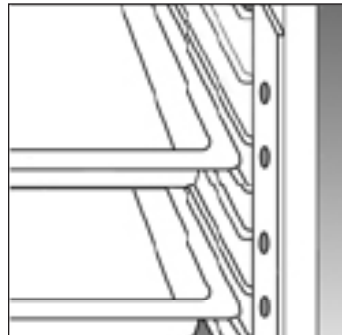
#1 Tray Slide

16 ga. Stainless Steel Angle
Type For Bottom Support Of:
(1) 18x26" Pan or (2) 14x18" Pans



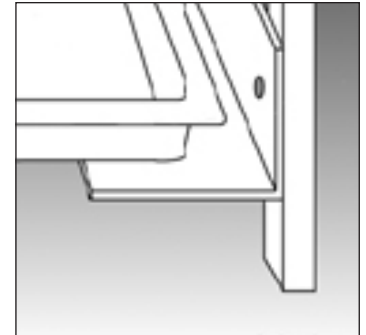
#4 Tray Slide

Chrome Plated Steel Rod
Type Of Rim Support Of:
(1) 18x26" Pan
(one pair #4 Tray Slides accommodates 1/2 section)



Universal Tray Slide

16 ga. Stainless Steel Angle
Type For Bottom Support Of:
(1) 18x26" Pan or (2) 14x18" Pans
or (2) 12x20" Pans



Shelf Chart

Shelf Capacity	Standard	Max
Behind one full height door when mounted on standard shelf pins	3	9
Behind Two half height doors when mounted on standard shelf pins	3	8
Behind one full height door when mounted on optional pilasters	3	13 (4" spacing)
Behind two half height doors when mounted on optional pilasters	3	12 (4" spacing)

IMPORTANT G-SERIES INTERIOR ARRANGEMENT NOTES:

- The above quantities reflect those possible with G-Series units built after December 2006. For maximum tray slide and shelf quantities possible for models built prior to that date please contact the factory.
- The above quantities represent the maximum amount of tray slides recommended by Traulsen to achieve best air circulation and refrigeration performance.



TRAUlsen
4401 BLUE MOUND RD.
PHONE 1 (800) 825-8220
Website: www.traulsen.com

FT. WORTH, TX 76106
FAX-MKTG. 1 (817) 624-4302

G-Series Accessory & EZ-Change Interior Kits

NOTE: Each kit includes all necessary mounting hardware except where noted. All G-Series accessory kits are pre-packaged for easy installation at the job site.

One Section Models

<p>G1ACC-TK1 8 Pairs #1 Tray Slides</p> <p>G1ACC-TK2 2 Pairs #4 Tray Slides</p> <p>G1ACC-TK4 7 Pairs Universal Tray Slides</p> <p>G1ACC-SHLF1 3 Epoxy Coated Shelves on Pins</p> <p>G1ACC-SHLF2 3 Epoxy Coated Shelves on Pilasters</p> <p>G1ACC-SHLF3 3 Plated Shelves on Pins</p> <p>G1ACC-SHLF4 3 Plated Shelves on Pilasters</p>
--

Two Section Models

<p>(left)</p> <p>G2ACC-TK1LR 8 Pairs #1 Tray Slides</p> <p>G2ACC-TK2LR 2 Pairs #4 Tray Slides</p> <p>G2ACC-TK4LR 7 Pairs Universal Tray Slides</p> <p>G2ACC-SHLF1 3 Epoxy Coated Shelves on Pins</p> <p>G2ACC-SHLF2 3 Epoxy Coated Shelves on Pilasters</p> <p>G2ACC-SHLF3 3 Plated Shelves on Pins</p> <p>G2ACC-SHLF4 3 Plated Shelves on Pilasters</p>	<p>(right)</p> <p>G2ACC-TK1LR 8 Pairs #1 Tray Slides</p> <p>G2ACC-TK2LR 2 Pairs #4 Tray Slides</p> <p>G2ACC-TK4LR 7 Pairs Universal Tray Slides</p> <p>G2ACC-SHLF5 3 Epoxy Coated Shelves on Pins</p> <p>G2ACC-SHLF6 3 Epoxy Coated Shelves on Pilasters</p> <p>G2ACC-SHLF7 3 Plated Shelves on Pins</p> <p>G2ACC-SHLF8 3 Plated Shelves on Pilasters</p>
---	--

Additional Kits & Supports

(mounting hardware not included)

One Section Models	
G1ACC-SHLF5	1 Epoxy Coated Shelf with Pins & Clips
G1ACC-SHLF6	1 Plated Shelf with Pins & Clips
Two Section Models	
G2ACC-SHLF9	1 Epoxy Coated Shelf with Pins & Clips for Left Section
G2ACC-SHLF10	1 Plated Shelf with Pins & Clips for Left Section
G2ACC-SHLF11	1 Epoxy Coated Shelf with Pins & Clips for Right Section
G2ACC-SHLF12	1 Plated Shelf with Pins & Clips for Right Section
Three Section Models	
G3ACC-SHLF13	1 Epoxy Coated Shelf with Pins & Clips for Left Section
G3ACC-SHLF14	1 Plated Shelf with Pins & Clips for Left Section
G3ACC-SHLF15	1 Epoxy Coated Shelf with Pins & Clips for Center Section
G3ACC-SHLF16	1 Plated Shelf with Pins & Clips for Center Section
G3ACC-SHLF17	1 Epoxy Coated Shelf with Pins & Clips for Right Section
G3ACC-SHLF18	1 Plated Shelf with Pins & Clips for Right Section
Other Accessory Kits	
GSACC-#1TS	1 Pair #1 Type Tray Slides
GSACC-#4TS	1 Pair #4 Type Tray Slides
GSACC-UVTS	1 Pair Universal Type Tray Slides
GSACC-PLSTS	Mounting Hardware for Shelves on Pilasters & Clips*
GSACC-LEGS	Set of Four 6" High Legs
GSACC-CK3	Set of Four 4-5/8" High Casters

* Includes the mounting hardware only to allow the use of the existing shelving to replace the standard shelf pin arrangement of any model/section G-Series unit to have pilasters and clips instead.

Three Section Models

<p>(left)</p> <p>G3ACC-TK1LR 8 Pairs #1 Tray Slides</p> <p>G3ACC-TK2LR 2 Pairs #4 Tray Slides</p> <p>G3ACC-TK4LR 7 Pairs Universal Tray Slides</p> <p>G3ACC-SHLF1 3 Epoxy Coated Shelves on Pins</p> <p>G3ACC-SHLF2 3 Epoxy Coated Shelves on Pilasters</p> <p>G3ACC-SHLF3 3 Plated Shelves on Pins</p> <p>G3ACC-SHLF4 3 Plated Shelves on Pilasters</p>	<p>(center)</p> <p>G3ACC-TK1C 8 Pairs #1 Tray Slides</p> <p>G3ACC-TK2C 2 Pairs #4 Tray Slides</p> <p>G3ACC-TK4C 7 Pairs Universal Tray Slides</p> <p>G3ACC-SHLF5 3 Epoxy Coated Shelves on Pins</p> <p>G3ACC-SHLF6 3 Epoxy Coated Shelves on Pilasters</p> <p>G3ACC-SHLF7 3 Plated Shelves on Pins</p> <p>G3ACC-SHLF8 3 Plated Shelves on Pilasters</p>	<p>(right)</p> <p>G3ACC-TK1LR 8 Pairs #1 Tray Slides</p> <p>G3ACC-TK2LR 2 Pairs #4 Tray Slides</p> <p>G3ACC-TK4LR 7 Pairs Universal Tray Slides</p> <p>G3ACC-SHLF9 3 Epoxy Coated Shelves on Pins</p> <p>G3ACC-SHLF10 3 Epoxy Coated Shelves on Pilasters</p> <p>G3ACC-SHLF11 3 Plated Shelves on Pins</p> <p>G3ACC-SHLF12 3 Plated Shelves on Pilasters</p>
---	--	---

EZ-Change Interior Kits

One Section Models Three Section Models (center only)	
G13ACC-1EZ	4 pairs #1 tray slides w/pilasters
G13ACC-UEZ	3 pairs universal w/pilasters
G13ACC-HDUEZ	3 pairs heavy Duty universal w/pilasters
Two & Three Section Models (left&right)	
G2A3ACC-1EZ	4 pairs #1 tray slides w/pilasters
G23ACC-UEZ	3 pairs universal w/pilasters
G23ACC-HDUEZ	3 pairs heavy Duty universal w/pilasters

Continued product development may necessitate specification changes without notice. Part No. TR35872 (revised 7/13)

TRAUlsen
4401 BLUE MOUND RD.
PHONE 1 (800) 825-8220
Website: www.traulsen.com

FT. WORTH, TX 76106
FAX-MKTG. 1 (817) 624-4302

