

Project

Quantity

Item #

Model Specified:

CSI Section 11400

Refrigerated Deli Merchandiser/ Self-Contained



Model RHT332NUT-FSL
(shown with optional casters)



Stainless Exterior
& Interior

Model RHT332NUT-FSL

Traulsen's refrigerated, sliding glass door deli merchandiser is designed to enhance food safety, improve quality, and reduce shrink by virtue of its outstanding performance. The large glass doors are intentionally positioned so that product can be easily seen over the deli counter. Enhanced fluorescent lighting is provided to augment product visibility intended to help you grow sales.

It is also supplied standard with such high quality features as balanced refrigeration systems, microprocessor controls, communications ability, and stainless steel construction. Heavy-duty stainless steel shelves with adjustable dividers make them ideal for storing all types of whole deli meats and cheeses. Convenient, unrefrigerated storage is provided underneath.

Standard Product Features

- Stainless Steel Exterior & Interior
- Patented INTELA-TRAUL® Microprocessor Control System
- High Capacity Self-Contained Refrigeration System
- Scroll Blower Type Evaporator Fans
- Special Height Sliding Glass Doors (refrigerated top section)
- Sliding Stainless Steel Doors (unrefrigerated bottom section)
- Augmented Fluorescent Lighting (6 bulb) with Exterior ON/OFF Switch
- Six (6) Adjustable Stainless Steel Shelves (3 per section) with Full Length Vertical Dividers
- Automatic Non-Electric Condensate Evaporator
- Controllable Anti-Condensate Door Perimeter Heaters
- Thermostatic Expansion Valve Metering Device
- Stainless Steel One-Piece Louver Assembly
- 9' Cord & Plug Attached
- Set of Four (4) 6" High Adjustable Stainless Steel Legs
- One Year Parts And Labor Warranty
- Two Year Control Warranty (parts and labor)
- Five Year Compressor Warranty

Options & Accessories

- RACC-DELISHSELF: One (1) Additional Shelf with Vertical Divider (max one per door)
- RACC-6INCASTER: Set of Four (4) 6" High Casters
- RACC-4INCASTER: Set of Four (4) 4-5/8" High Casters
- RACC-SSBASE: 4-1/2" High Stainless Steel Base
- RACC-NDPGATEWAY: Gateway For Use In A NAFEM Data Protocol Network
- RACC-SLIDINGLOCK: Sliding Glass Door Lock
- Two Year Service/Labor Warranty Available



Listed by Underwriters Laboratories Inc.,
to U.S. and Canadian safety standards and
Listed by NSF International.

Approval: _____



TRAULSEN
4401 BLUE MOUND RD.
PHONE 1 (800) 825-8220
Website: www.traulsen.com

FT. WORTH, TX 76106
FAX-MKTG. 1 (817) 624-4302

Project	Quantity	Item #
Model Specified:		CSI Section 11400

Specifications

Construction, Hardware and Insulation

Cabinet exterior front, one piece sides and louver assembly are constructed of 20 gauge stainless steel with #4 finish. Cabinet interior is constructed of stainless steel. The exterior cabinet top, back and bottom are constructed of heavy gauge aluminized steel. A set of four (4) adjustable 6" high stainless steel legs are included.

Tempered sliding glass doors are self-closing, with a stay open feature and are easily removable for cleaning. An exterior ON/OFF switch is provided to activate the interior fluorescent lighting. Anti condensate heaters are located behind each door opening.

Cabinet is insulated with an average of 2" thick high density, non-CFC, foamed in place polyurethane.

Refrigeration System

A top mounted, self-contained, high capacity refrigeration system using R-134a refrigerant is conveniently located behind the one piece louver assembly. It features an easy to clean front facing condenser, thermostatic expansion valve, air-cooled hermetic compressor, plenum effect blower coil, two large, high humidity evaporator coils located outside the food zone and a top mounted condensate evaporator. A 9' cord and plug is provided. Standard operating temperature is 34 to 38°F.

Controller

The easy to use water resistant INTELA-TRAUL® microprocessor control system is supplied standard. Unit is NAFEM Data Protocol communication (NDP) ready. Optional hardware required to be NDP compliant. Third party software required for network connection. It includes a 3-Digit LED Display, Fahrenheit or Celsius Temperature Scale Display Capability, and an RS485 data port. In addition it includes audio/visual alarms for: Hi/Lo Cabinet Temperature, Clean Condenser, Evaporator Coil and Discharge Line Sensor Failures, and Power Supply Interruption.

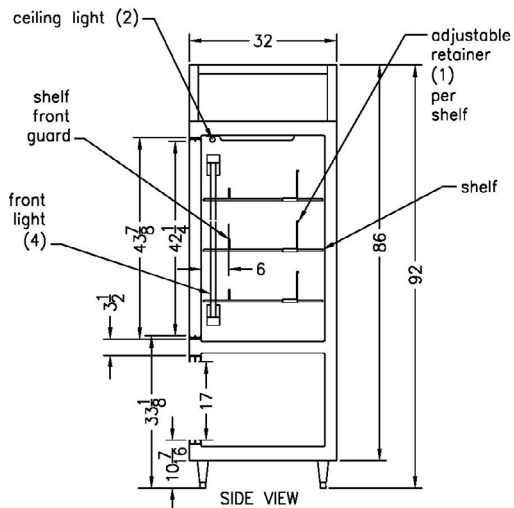
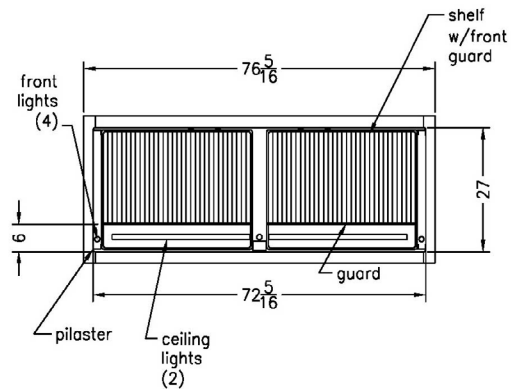
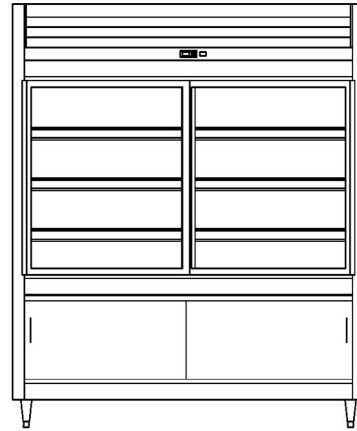
DIMENSIONAL DATA	RHT332NUT-FSL
Net capacity cu. ft.	46.0
Length - overall in.	76 ⁵ / ₁₆
Depth - overall in.	33
Depth - over body in.	32
Clear sliding glass door height in.	42-1/4
Height - overall on 6" legs	92
No. Standard Shelves	6
ELECTRICAL DATA	
Voltage	208-230/115/60/1
Feed wires with Ground	4
Full load amperes	12.0
REFRIGERATION DATA	
Refrigerant	R-134a

Interior

Standard interior arrangements include three (3) stainless steel shelves per door.

Warranties

Both a one year parts and labor warranty and a five year compressor warranty (self-contained models only) are provided standard. An optional 2nd year extended parts and labor warranty is also available. In addition the INTELA-TRAUL® control is warranted by a two year parts and labor warranty.



Equipped With One NEMA L14-20P Plug

Continued product development may necessitate specification changes without notice.

Part No. TR99999 (revised 11/10)

TRAULSEN
4401 BLUE MOUND RD.
PHONE 1 (800) 825-8220
Website: www.traulsen.com

FT. WORTH, TX 76106
FAX-MKTG. 1 (817) 624-4302