

Project

Quantity

Item #

Model Specified:

CSI Section 11400

Milk Cooler Models



Model RMC49D4



Stainless Steel
Exterior & Interior

8, 12, & 16 Crate Capacity Models

| | |
|--|---------|
| 8 Crate 34" Length Single Access 4" Casters | RMC34S4 |
| 8 Crate 34" Length Single Access 6" Casters | RMC34S6 |
| 8 Crate 34" Length Double Access 4" Casters | RMC34D4 |
| 8 Crate 34" Length Double Access 6" Casters | RMC34D6 |
| | |
| 12 Crate 49" Length Single Access 4" Casters | RMC49S4 |
| 12 Crate 49" Length Single Access 6" Casters | RMC49S6 |
| 12 Crate 49" Length Double Access 4" Casters | RMC49D4 |
| 12 Crate 49" Length Double Access 6" Casters | RMC49D6 |
| | |
| 16 Crate 58" Length Single Access 4" Casters | RMC58S4 |
| 16 Crate 58" Length Single Access 6" Casters | RMC58S6 |
| 16 Crate 58" Length Double Access 4" Casters | RMC58D4 |
| 16 Crate 58" Length Double Access 6" Casters | RMC58D6 |

Traulsen's rugged milk cooler with a top-mounted refrigeration system is easy to maintain and it's built to last!

Our unit's longevity is supported by a 100% stainless steel cabinet featuring a reinforced exterior bottom additionally secured by dunnage racks. And, with our top-breathing system, the milk cooler inhales less floor dust and dirt -- extending the compressor's life. Our sliding front door design helps protect our EZ-Clean Santoprene® Gasket from every day wear and tear.

From a maintenance standpoint, simply undoing four screws for system removal minimizes your potential on-site service time.

Standard Product Features

- Stainless Steel Exterior & Interior
- Top Mounted Removable Refrigeration System
- Forced Air Refrigeration System
- Accommodates 13"x13" Crate(s) 8, 12 or 16 Capacity or 13"x19" Crate(s) 4, 8 or 10 Capacity
- Single Or Double Sided Front
- Sliding Lift Up & Down Door(s)
- Reinforced Cabinet Exterior Bottom
- Heavy Duty Dunnage Racks Protect Cabinet & Promote Airflow
- Lockable Insulated Doors
- Metal Door Handles
- Magnetic Snap-In EZ-Clean Door Gasket(s)
- Floor Drain With Plug
- 8' Cord & Plug Attached
- Set of Four (4) 6" or 4" Factory Mounted Adjustable Casters (6 for 58" models)
- Three Year Parts And Labor Warranty, Five Year Compressor Parts Warranty

Optional Accessory Kits

- Set of Four (4) 4" Factory Mounted Adjustable Casters (6 for 58" models)
- Set of Four (4) 6" Factory Mounted Adjustable Casters (6 for 58" models)



Listed by Underwriters Laboratories Inc., to U.S. and Canadian safety standards and and NSF International in accordance with ANSI/NSF7.



Approval: _____



TRAUlsen
4401 BLUE MOUND RD.
PHONE 1 (800) 825-8220
Website: www.traulsen.com

FT. WORTH, TX 76106
FAX-MKTG. 1 (817) 624-4302

| | | |
|-------------------------|-----------------|--------------------------|
| Project | Quantity | Item # |
| Model Specified: | | CSI Section 11400 |

Specifications

Construction, Hardware and Insulation

Cabinet exterior and interior is constructed of stainless steel. Interior sides, back and front are also stainless steel. The exterior cabinet bottom is constructed of stainless steel.

Gasket profile and Santoprene® material simplify cleaning and increase overall gasket life.

Both the cabinet and doors are insulated with non-CFC, foamed in place polyurethane.

| | RMC34 | RMC49 | RMC58 |
|---------------------------------------|------------------|------------------|------------------|
| Net Crate Capacity 13x13 in. | 8 | 12 | 16 |
| Net Crate Capacity 13x19 in. | 4 | 8 | 10 |
| Length (L) - Overall in. | 34 (86.4 cm) | 49 (124.5 cm) | 58 (147.3 cm) |
| Depth - Single Cabinet Only in. | 32 1/8 (81.6 cm) | 32 1/8 (81.6 cm) | 32 1/8 (81.6 cm) |
| Depth - Double Cabinet Only in. | 34 1/4 (87 cm) | 34 1/4 (87 cm) | 34 1/4 (87 cm) |
| Height - Overall on 6" Casters | 48 (124.5 cm) | 48 (124.5 cm) | 48 (124.5 cm) |
| Net Weight-uncrated lbs. ³ | TBD | TBD | TBD |
| ELECTRICAL DATA | | | |
| Voltage | 115/60/1 | 115/60/1 | 115/60/1 |
| Full Load Amperes | 7.2 | 7.2 | 7.2 |
| NEMA Plug Type | 5-15P | 5-15P | 5-15P |
| REFRIGERATION DATA | | | |
| Refrigerant | R-134a | R-134a | R-134a |
| BTU/HR - HP ⁴ | 2050 (1/3 HP) | 2050 (1/3 HP) | 2050 (1/3 HP) |

NOTE:
Figures in parentheses reflect metric equivalents.



Equipped With One NEMA 5-15 P Plug

Door/Access

Front sliding protects gasket(s). Lockable lift up top access door.

Refrigeration System

A balanced, top mounted side and front and rear breathing, refrigeration system using R-134a refrigerant is provided. It features a air-cooled hermetic compressor, a forced air evaporator coil. Dial thermometer. An 8' cord and plug is provided. Standard operating temperature is 34 to 38°F.

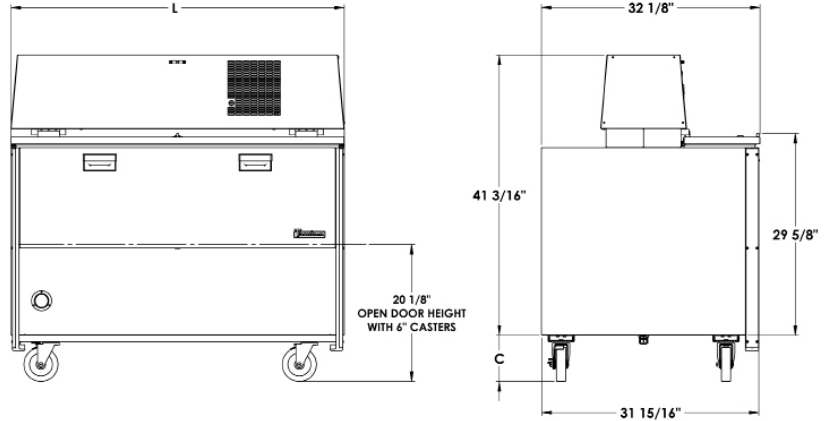
Interior/Dunnage Racks

Heavy duty removable dunnage racks protect cabinet and promote airflow.

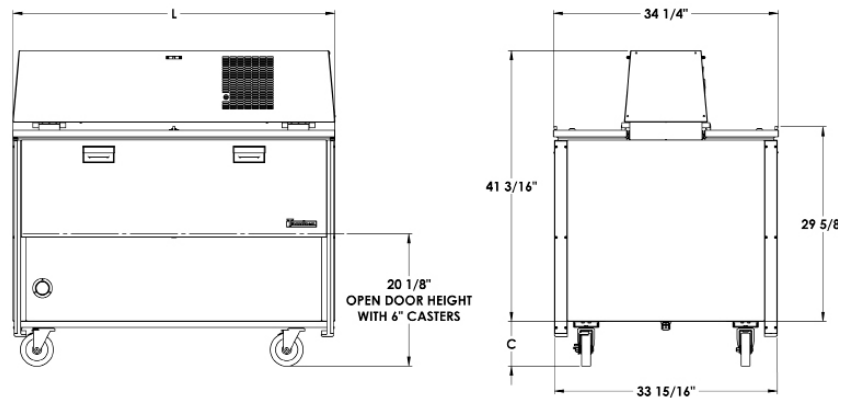
Warranties

Both a three year parts and labor warranty and a five year compressor parts warranty.

Single Access Models



Double Access Models



NOTE: When ordering please specify: Door Access, Caster Height and Other Options.

Continued product development may necessitate specification changes without notice.

Part No. TR35942 (REV. 03-11-14)

TRAUlsen
4401 BLUE MOUND RD.
PHONE 1 (800) 825-8220
Website: www.traulsen.com

FT. WORTH, TX 76106
FAX-MKTG. 1 (817) 624-4302

