

Project	Quantity	Item #
Model Specified:		CSI Section 11400

Blast Chiller Models



Roll-In Model TBC1H



26 Pan Roll-In Model	TBC1H
26 Pan Roll-Thru Model	TBC1HR
52 Pan Roll-In Model	TBC2H
52 Pan Roll-Thru Model	TBC2HR

The TBC Series blast chillers offer outstanding chill performance combined with durable, easy-to-use touch screen controls to provide the ultimate blast chiller platform. Our exclusive **Epicon™** control offers three ways to start chilling. A **"Probe Chill"** operation mode requires no buttons to be pushed, as well as an **"Auto Menu"** mode that allows for simple menu item recall. Operation is regulated by the food probes, insuring proper cycle performance every time. Also included is a full **"Manual Menu"** mode for more advanced operators.

All modes offer chill setting adjustments, such as **"Standard"**, **"Speed,"** **"Delicate"** and **"Energy"** savings.

Additionally, complete HACCP documentation is provided at the end of every cycle through use of an on-board printer and a USB port.

Exclusive Chilling Features

- **3 Modes**
 - 1) Probe Chill™ Operation
Insert Probe And Go
 - 2) Auto Menu
Simple Menu Item Recall
 - 3) Manual Menu
Ability To Customize
- **4 Chilling Settings**
 - 1) Standard
For Basic Operation
 - 2) Speed
For High Volume Operation Reduce Chill Time By 10%
 - 3) Delicate
Retain Moisture And Food Quality During Chill Cycle
 - 4) Energy
Conserve 10% Energy Consumption Per Cycle
- **3 Program Options**
 - 1) Target Temperature
 - 2) Target Time
 - 3) Product Recall

High Quality Standard Features

- One (1) On-Board Batch Data Printer
- USB Port For Loading HACCP Data & Product Updates
- Communications Capable & NAFEM Data Protocol Compliant
- Stainless Steel Exterior & Interior Construction
- Automatic Refrigerated/Freezer Hold Mode After Each Cycle
- Two-Stage Self-Contained Refrigeration System (promotes energy efficient operation and maximizes compressor life)
- Accommodates One 72" High Roll-In Rack
- Hot Gas Defrost
- Magnetic Snap-In EZ Clean Door Gasket(s)
- Standard Door Hinging: Left
- Stainless Steel Breaker Caps

- Stainless Steel Roll-In Ramp(s) & Rack Guides
- Self-Closing and Stay-Open Door Features
- Guaranteed-For-Life Cam-Lift Hinges
- Guaranteed-For-Life Horizontal Work Flow Door Handle
- Three Year Parts/Labor & Five Year Compressor Warranty

Options & Accessories

- On-Board Label Printer (adhesive labels for product containers)
- Correctional Facility Package for Blast Chill
- One or Two Day On-Site Blast Chill Training
- Water Cooled Self-Contained Condenser Suitable For Connection To Glycol (consult factory)
- BCACC-60018: 115V Floor-Mounted Condensate Evaporator
- BCACC-OTRTR: Special Roll-In Rack Holds Up To (26)12" x 20" pans
- BCACC-60111-10: 208-230/60/1 4HP Air-Cooled Remote Condensing Unit
- BCACC-60123-10: 208-230/60/3 4HP Air-Cooled Remote Condensing Unit
- BCACC-60146-10: 460/60/3 4HP Air-Cooled Remote Condensing Unit
- BCACC-60228-10: 208-230/60/1 5HP Water-Cooled Remote Condensing Unit
- BCACC-60229: 208-230/60/3 5HP Water-Cooled Remote Condensing Unit
- BCACC-60122-10: Weather Housing Remote Condensing Unit (TBC1H)
- Combi Oven Compatibility Collar
- Other Voltage (consult factory)



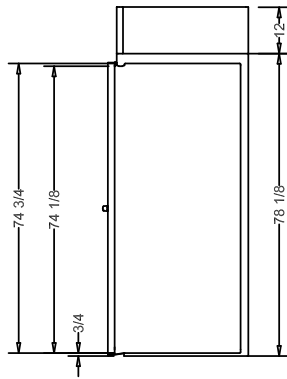
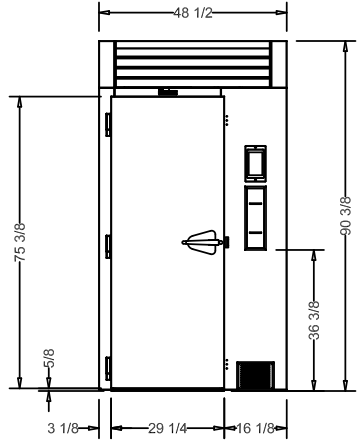
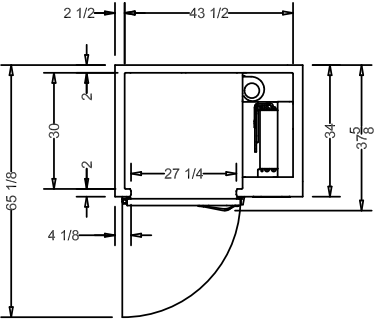
Approval: _____



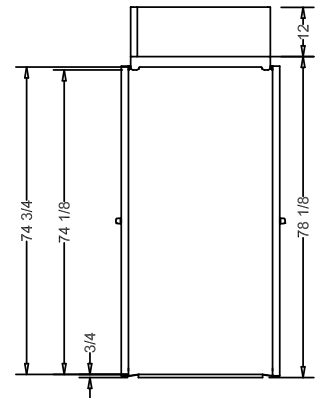
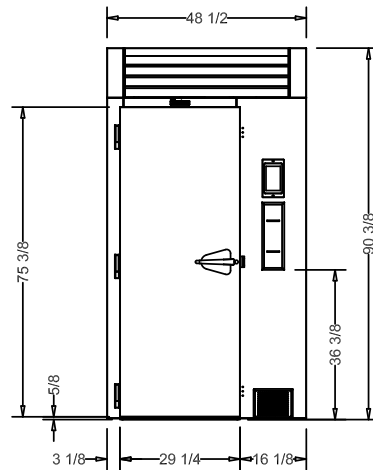
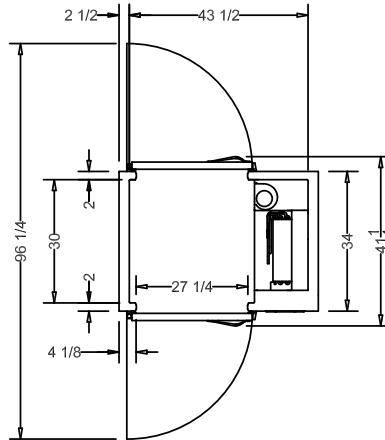
TRAULSEN
4401 BLUE MOUND RD.
PHONE 1 (800) 825-8220
Website: www.traulsen.com

FT. WORTH, TX 76106
FAX-MKTG. 1 (817) 624-4302

Project	Quantity	Item #
Model Specified:		CSI Section 11400



Roll-In Model TBC1H



Roll-Thru Model TBC1HR

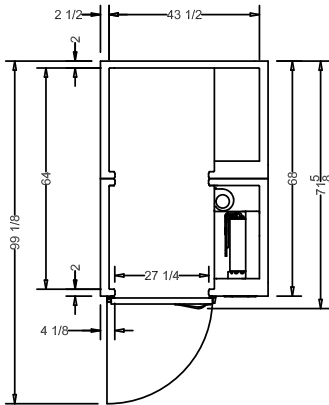
Project

Quantity

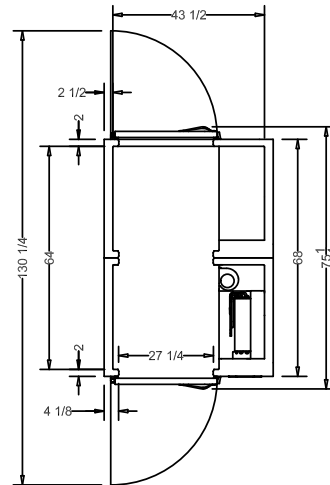
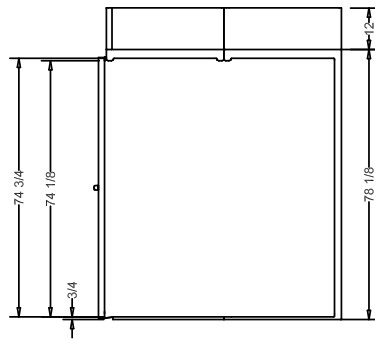
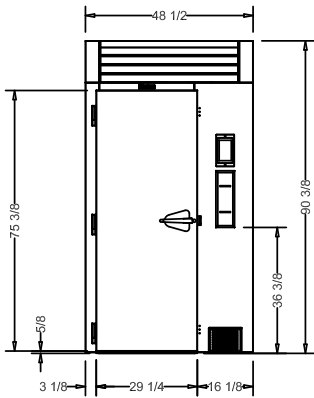
Item #

Model Specified:

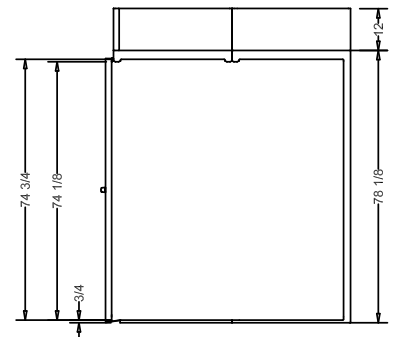
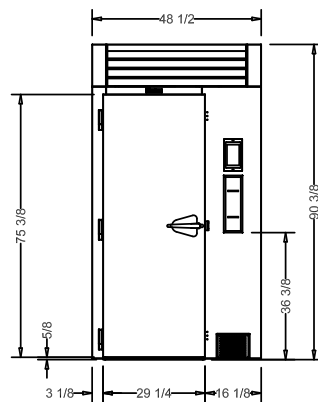
CSI Section 11400



Roll-In Model TBC2H



Roll-Thru Model TBC2HR



TRAULSEN
4401 BLUE MOUND RD.
PHONE 1 (800) 825-8220
Website: www.traulsen.com

FT. WORTH, TX 76106
FAX-MKTG. 1 (817) 624-4302

Project	Quantity	Item #
Model Specified:		CSI Section 11400

Specifications

Construction, Hardware and Insulation

Exterior sides, front, rear, door and interior are constructed of heavy gauge stainless steel. Exterior top, back and bottom are constructed of heavy gauge galvanized steel. The interior floor is constructed of stainless steel and insulated with 3/4" of resilient cork. Door(s) are equipped with guaranteed for life cam lift hinges with stay open feature at 120°. Guaranteed for life, work flow handle is mounted horizontally over recess in door which limits protrusion from door face into aisle ways. Door is standard with cylinder lock. Gasket profile and Santoprene® material simplify cleaning and increase overall gasket life. Anti-condensate heater is located behind door opening. Door is hinged left as supplied standard. Both cabinet and door are insulated with high density, non-CFC foamed in place polyurethane.

It is important to note that the cabinet **TBC2H** is shipped in two-pieces which must be jointed together at the job site by others.

Refrigeration System

Dual refrigeration systems with a unique air circulation system minimize short cycling, while maximizing energy efficient operation and maximizing compressor life. During Blast Chill cycles both systems are in full operation. At the completion of any chill or freeze cycle, one refrigeration system remains in use to maintain proper refrigerated storage temperatures. Each unit requires a separate 4 HP remote condensing unit for blast chill operation (**x2 for TBC2H model**), and a floor drain or optional condensate evaporator for condensate removal.

Blast Chill Operation

In Blast Chill mode both refrigeration systems, as well as four blowers are in operation. Cabinet air temperature can be as low as -27°F. The control closely monitors both the air and product temperatures to assure rapid chilling without freezing. The operator is notified upon completion of each chill cycle, and the unit automatically begins to maintain proper refrigerated storage temperatures. All chill cycle data is then stored in memory and can either be printed or downloaded to a PC on demand.

Controller

HACCP documentation is facilitated by one on-board printers which records all required product chill cycle information. This same data can also be downloaded through a USB Port.

Roll-In Racks

Readily removable, interior mounted stainless steel guides for rack are provided. Maximum rack(s) size with wheels inboard of frame is 27" wide by 29" deep by 72" high. Racks are typically supplied by others, however these may be purchased directly from Traulsen as an option.

Warranties

The standard warranty is a three year parts and labor warranty on all components and the cabinet, and an additional four year parts only warranty on the 3/4 HP maintenance compressor. Also, an on-site service validation is provided by an authorized agent at no-charge upon installation in order to insure proper operation.

TBC1H	Chill Time From 135°F to 40°F
150 (lbs.)	90
200 (lbs.)	90
250 (lbs.)	120
300 (lbs.)	155
TBC2H	Chill Time From 135°F to 40°F
300 (lbs.)	90
400 (lbs.)	90
500 (lbs.)	120
600 (lbs.)	155

DIMENSIONAL DATA	TBC1H/ TBC1HR Roll-In/Roll-Thru	TBC2H/ TBC2HR Roll-In/Roll-Thru
Net Capacity cu. ft.	35 (990.5 l)	72.3 (2046 l)
Number of Pans 12" x 20" x 2 1/2" # of Pans Depends Upon Rack Purchased	26	52
Rack Capacity (see "Roll-In Racks")	1	2
Length Overall in.	48 1/2 (123.2 cm)	48 1/2 (123.2 cm)
Depth - Cabinet Only in. / Over Body in.	34 (86.4 cm)	68 (172.7 cm)
Depth - with Door Open 90° in.	65 7/8 / 96 1/4	99 7/8 / 130 1/4
Depth - Overall in.	37 5/8 / 41 1/4	71 5/8 / 75 1/4
Clear Door Width in.	27 1/4 (69.3 cm)	27 1/4 (69.3 cm)
Clear Door Height in.	74 1/8 (188.3 cm)	74 1/8 (188.3 cm)
Height - Overall in.	90 3/8 (229.6 cm)	90 3/8 (229.6 cm)

ELECTRICAL DATA

Voltage (hard wired)	115/60/1	208-230/115/60/1
Feed Wires with Ground	3	4
Full Load Amperes	14.9	14.9
Minimum Circuit Ampacity	20	20

REFRIGERATION DATA Holding System Only

Refrigerant	R404a	R404a
BTU/HR - HP - (x2) 1/2 HP Holding Compressor	2820	2820
Suction Line in.	3/8 (.95 cm)	3/8 (.95 cm)
Liquid Line in.	1/4 (.63 cm)	1/4 (.63 cm)

REMOTE CONDENSER

(Note: All models require a remote condenser unit. For additional technical support on optional remote condenser units consult factory.)

REFRIGERATION DATA	TBC1H	TBC2H
Refrigerant	R404a	R404a
Voltage	208-230/60/1	(x2) 208-230/60/1
Recommended BTU/HR - HP BTU's are rated at 90° F ambient and a -10° F evaporator temp.	18,700 - 4 HP	(x2) 18,700-4HP
Suction Line in. Ref. Lines at Blast Chill Unit	1/2 (1.3 cm)	1/2 (1.3 cm)
Liquid Line in. Ref. Lines at Blast Chill Unit	1/2 (1.3 cm)	1/2 (1.3 cm)
Suction Line in. Ref. Line on Remote Condenser	1 1/8 (2.9 cm)	1 1/8 (2.9 cm)
Liquid Line in. Ref. Line on Remote Condenser	1/2 (1.3 cm)	1/2 (1.3 cm)

NOTE

1-Figures in parentheses reflect metric equivalents

*REMOTE COMPRESSOR NOTES:

- 1 - See form TR35802 for remote compressor specifications.
- 2 - Remote compressor installation required by others. Traulsen provides an service agent validation upon completion of remote system installation at no-charge (call 800-825-8220 in order to arrange this).
- 3 - Remote compressor includes a five year warranty if purchased from Traulsen.



Listed by Underwriters Laboratories Inc., to U.S. and Canadian safety standards and NSF International in accordance with ANSI/NSF7.

Continued product development may necessitate specification changes without notice.

Part No. TR35930 (revised 7/13)

TRAULSEN
4401 BLUE MOUND RD.
PHONE 1 (800) 825-8220
Website: www.traulsen.com

FT. WORTH, TX 76106
FAX-MKTG. 1 (817) 624-4302

