

Project	Quantity	Item #
Model Specified:		CSI Section 11400

Spacesaver Wine Cooler Models/ Self-Contained



Model UR30WT-28
(shown as supplied standard)

One & Two Section Reach-In Models, 24" Deep



Solid Door Models

UR30WT-27	1-Section 30" Wide, Full Door Hinged Right
UR30WT-33	1-Section 30" Wide, Full Door Hinged Left
UR30WT-34	1-Section 30" Wide, Half Doors Hinged Right
UR30WT-35	1-Section 30" Wide, Half Doors Hinged Left
UR48WT-55	2-Section 48" Wide, Full Doors Hinged Left/Right
UR48WT-57	2-Section 48" Wide, Half Doors Hinged Left/Right

Glass Door Models

UR30WT-28	1-Section 30" Wide, Full Door Hinged Right
UR30WT-30	1-Section 30" Wide, Full Door Hinged Left
UR30WT-36	1-Section 30" Wide, Half Doors Hinged Right
UR30WT-37	1-Section 30" Wide, Half Doors Hinged Left
UR48WT-27	2-Section 48" Wide, Full Doors Hinged Left/Right
UR48WT-36	2-Section 48" Wide, Half Doors Hinged Left/Right

Operating at the ideal storage temperature 53-57° F, the Spacesaver wine units are specifically designed to encourage the development of fine wine. Their compact footprints are all 24" deep, and are available in either 30" wide or 48" wide models.

Traulsen's unique wine rack controls sedimentation by reducing vibration. This specially designed shelf properly tilts bottles, keeping the corks moist and preventing bottle slippage. This has the added benefit of allowing easy access to all bottles and positioning these for easy label viewing. Each wine rack has an approximate capacity of 10-12 bottles per shelf.

Standard Features

- Stainless Steel Exterior And Interior
- Operating Temperature of 53-57°F
- Exterior Mounted Digital Thermometer
- Solid Door Configurations: Full or Half Length Stainless Steel Door(s) With Locks
- Glass Doors Configurations: Full or Half Length Clear Glass Door(s) With Locks
- Eight (8) Wine Racks Per Section
- Magnetic Snap-In EZ-Clean Door Gasket(s)
- Guaranteed For Life Stainless Steel Horizontal Work Flow Door Handles - (solid doors only)
- Guaranteed For Life Door Hinges
- Self-Closing & Stay Open Door Features
- Stainless Steel Breaker Caps
- Automatically Activated Interior Incandescent Lights
- Set Of Four (4) 6" High Stainless Steel Adjustable Legs
- One Piece Lift-Up Louver Assembly
- Automatic Condensate Removal System
- Cord and Plug Attached
- Three Year Parts And Labor Warranty
- Five Year Compressor Warranty

Optional Accessories for 30" Models¹

- URACC-WINE30: One Wine Rack
- URACC-BASE30: 4½" High Flush Stainless Steel Base
- URACC-CK1: Set of Four (4) 6" High Casters

Optional Accessories for 48" Models²

- URACC-WINE48: One Wine Rack
- URACC-BASE48: 4½" High Flush Stainless Steel Base
- URACC-CK1: Set of Four (4) 6" High Casters

NOTES:

1= All accessories require field installation.



Listed by Underwriters Laboratories Inc., to U.S. and Canadian safety standards and Listed by NSF International.



Approval: _____



TRAUlsen
4401 BLUE MOUND RD.
PHONE 1 (800) 825-8220
Website: www.traulsen.com

FT. WORTH, TX 76106
FAX-MKTG. 1 (817) 624-4302

Project	Quantity	Item #
Model Specified:		CSI Section 11400

Specifications

Construction, Hardware and Insulation

Unit exterior sides, front, door and interior are constructed of heavy gauge stainless steel. Exterior top, back and bottom are constructed of heavy gauge aluminized steel.

Door is equipped with guaranteed for life cam lift, gravity-action, metal glide hinges with stay open feature at 120°. Guaranteed for life, work flow handle is mounted horizontally over recess in door which limits protrusion from door face into aisle ways. A cylinder door lock is provided standard.

Gasket profile and Santoprene® material simplify cleaning and increase overall gasket life. Anti-condensate heaters are located behind each door opening.

Cabinet and door contain high density, non-CFC, foamed in place polyurethane insulation.

Models UR30WT and UR48WT are supplied standard with a set of four (4) 6" adjustable stainless steel legs.

DIMENSIONAL DATA	UR30WT	UR48WT
Net Capacity - cu. ft.	17.9 (455 cu l)	31.6 (895 cu l)
Length - Overall in.	29 ⁷ / ₈ (75.9 cm)	48 (121.9 cm)
Depth - Cabinet Only in.	24 (61 cm)	24 (61 cm)
Depth - with Door Open 90° in.	49 ⁵ / ₈ (126 cm)	45 ⁵ / ₈ (115.9 cm)
Depth - Overall in.	27 (68.5 cm)	27 (68.5 cm)
Clear Door Width - in.	21 ¹ / ₂ (54.6 cm)	17 ⁵ / ₈ (44.8 cm)
Clear Door Height - in.	57 ⁵ / ₈ (146.4 cm)	57 ⁵ / ₈ (146.4 cm)
Height - Overall on 6" Legs in. ³	83 ³ / ₄ (211.5 cm)	83 ³ / ₄ (211.5 cm)
Height - Overall on 4 ¹ / ₂ " Base in. ³	81 ³ / ₄ (207.6 cm)	81 ³ / ₄ (207.6 cm)
Number of Wine Racks	8	16
Shelf Area - Total sq. ft.	26.2 (2.4 sq m)	45.5 (4.2 sq m)
ELECTRICAL DATA (at 115/60/1)		
Voltage	115/60/1	115/60/1
Feed Wires with Ground	3	3
Full Load Amperes	4.0	7.8
Wattage ¹	354	628
REFRIGERATION DATA		
Refrigerant	R-134a	R-134a
BTU/HR (HP) ²	805 (1/3 HP)	1696 (1/3 HP)
CARTON DIMENSIONS Domestic Crated Only		
Length - crated in.	35 (88.9 cm)	53 (135 cm)
Depth - crated in.	33 (84 cm)	33 (84 cm)
Height - crated in.	85 (216 cm)	85 (216 cm)
Volume - crated cu. ft.	57 (1614 cu l)	87 (2453 cu l)
WEIGHT DATA		
Net Weight - uncrated lbs.	340 (154 kg)	450 (204 kg)
Gross Weight - crated lbs.	430 (195 kg)	550 (250 kg)

NOTES

NOTE: Figures in parentheses reflect metric equivalents.

1= Wattage is determined by listed amps X listed volts X an average run time of 70% for refrigerators and 80% for freezers.

2= Based on a 90 degree F ambient and 20 degree F evaporator.

3= 12" Top clearance preferred for optimum performance and service access.



Refrigeration System

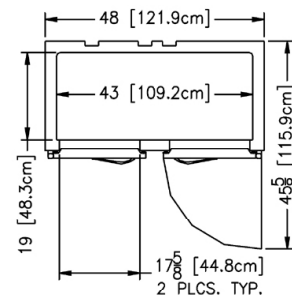
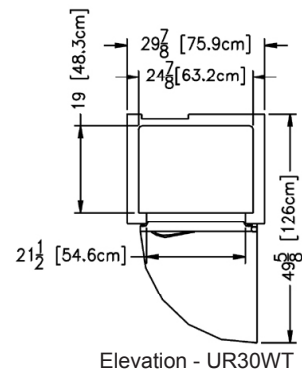
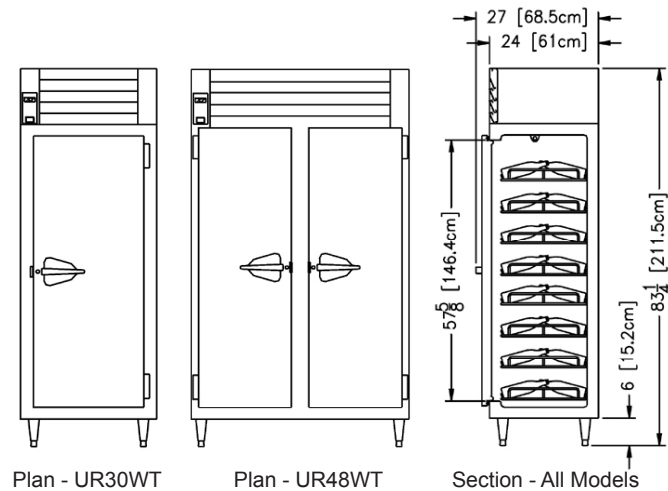
A balanced, top-mounted refrigeration system, using R-134a refrigerant is located behind a one piece louver assembly for easy access. The factory preset temperature control helps provide the ideal environment to properly age and store fine wine (operating temperature 53-57°F), while maintaining the proper air flow to eliminate any odors. Automatic condensate removal is provided through use of a bottom mounted electric condensate evaporator.

Interior

Each model is supplied with a standard compliment of eight (8) wine racks per section. Traulsen wine racks hold approximately 10-12 wine bottle per shelf (actual capacity will vary depending upon the diameter of bottles used).

Warranties

The standard warranty is a five year compressor warranty and a three year parts and labor warranty on all components and the cabinet.



Continued product development may necessitate specification changes without notice.

Part No. TR35817 (revised 7/13)

TRAUlsen
 4401 BLUE MOUND RD.
 PHONE 1 (800) 825-8220
 Website: www.traulsen.com

FT. WORTH, TX 76106
 FAX-MKTG. 1 (817) 624-4302

