

Project	Quantity	Item #
Model Specified:		CSI Section 11400

Compact Sandwich Prep Tables with Drawers/Self-Contained



Model UST279-D



Stainless Exterior,
Anodized Aluminum
Interior

27", 32", 60" & 72" Wide Models

27" Wide Two Drawer Model	UST276-D
27" Wide Two Drawer Model	UST279-D
32" Wide Two Drawer Model	UST328-D
32" Wide Two Drawer Model	UST3212-D
60" Wide Four Drawer Model	UST6012-DD
60" Wide Four Drawer Model	UST6024-DD
72" Wide Four Drawer Model	UST7212-DD
72" Wide Four Drawer Model	UST7218-DD
72" Wide Four Drawer Model	UST7224-DD
72" Wide Four Drawer Model	UST7230-DD

Traulsen's durable, high performance, sandwich prep tables provide a high quality/high value alternative to the all too common commodity types in today's market. Any comparison between prep tables should start with performance, and Traulsen really does the job. Not only do they all meet the NSF 7 Standard, but do so under real world conditions, even when using 6" deep top pans! A Traulsen exclusive. Truly front breathing, their design allows for "zero-clearance" installation. As a result they can be placed right up against the backwall and alongside other kitchen equipment, saving valuable floor space.

Standard Product Features

- High Quality Stainless Steel Exterior Top, Sides & Drawer(s)
- Durable, Corrosion Resistant Anodized Aluminum Interior
- Provides NSF Standard 7 Performance, Even When Using 6" Deep Top Pans - A Traulsen Exclusive
- Front Breathing Self-Contained Refrigeration System
- Standard Work Height 36-1/4" (see "optional accessory kits for lower height casters to meet ADA requirements or provide lower work heights).
- Environmentally Friendly R-134a Refrigerant
- Top Cut-Outs Accommodate Sixth Size Pans (divider bars and 4" deep plastic sixth size pans provided)
- Reinforced Top Pan Ledge (holds pans securely level, year after year)
- Stainless Steel Insulated Top Pan Lid with Two Open Positions
- Reversible, Full Length White Nylon Cutting Board
- Automatic Non-Electric Condensate Evaporator
- Full-Length Drawer Handle with Gasket Guard
- Magnetic Snap-In Drawer Gasket(s)
- Self-Closing Drawers with Stay Open Feature
- 16-Gauge Stainless Steel Drawer with Slide
- Interior Mounted Thermometer
- 8' Cord & Plug Attached
- Set of Four (4) 4" Casters (6 for 60" & 72" models)
- Three Year Parts And Labor Warranty
- Five Year Compressor Warranty

Optional Accessory Kits*

- **CASTER 5SET4** (four 6" high casters for 27" & 32" models)
- **CASTER 5SET6** (six 6" high casters for 60" & 72" models)
- **CASTER SET3IN** (four 3-1/2" high casters for 27" & 32" models)
- **CASTER SET4** (six 3-1/2" high casters for 60" & 72" models)
- **CASTER SET2IN** (four 2-1/2" high casters for 27", 32" & 48" models)
- **CASTER 2SET6** (six 2-1/2" high casters for 60" & 72" models)

*All optional accessory kits are shipped separately for field installation.

Factory Installed Options

- Stainless Steel Finished Back



This unit is listed to UL 471, CSA 120 and NSF 7 by an approved NRTL. Consult the factory or unit data plate for approval information.



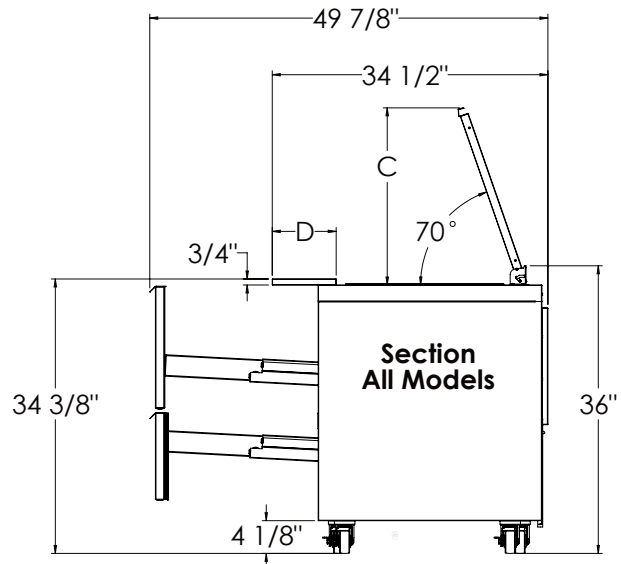
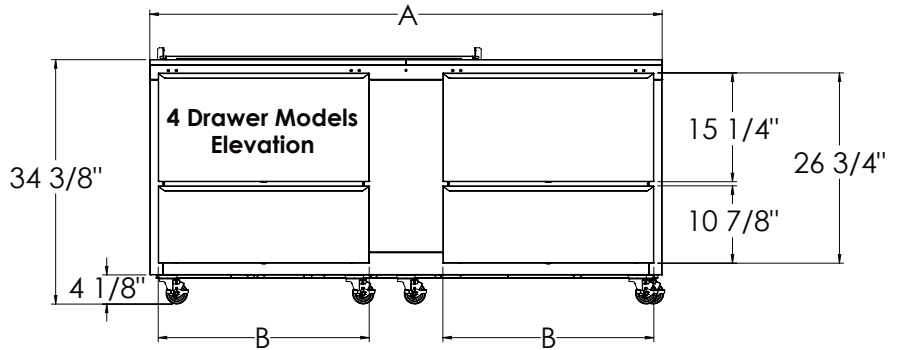
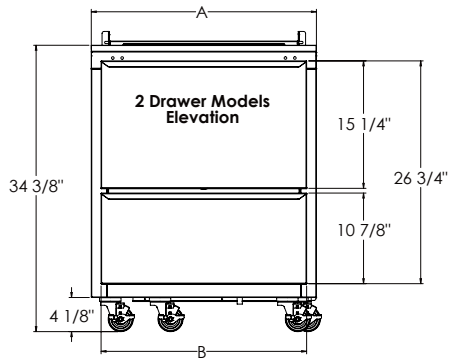
Approval: _____



TRAULSEN
4401 BLUE MOUND RD.
PHONE 1 (800) 825-8220
Website: www.traulsen.com

FT. WORTH, TX 76106
FAX-MKTG. 1 (817) 624-4302

Project	Quantity	Item #
Model Specified:		CSI Section 11400



Cabinet Dimensional Data							
Model	# of 1/6 Size Pans Top	# of 1/6 Size Pans Per Drawer	# Of Drawers Per Cabinet	A Width - Cabinet	B Width - Drawer	C Height-lid Open at 70 Degrees	D Depth-Cutting Board
UST276-D	6	6	2	27"	24 5/8"	16 1/4"	12"
UST279-D	9	6	2	27"	24 5/8"	22 3/16"	8"
UST328-D	8	8	2	32"	29 5/8"	17 1/2"	12"
UST3212-D	12	8	2	32"	29 5/8"	23 5/8"	8"
UST6012-DD	12	9 top & 6 bottom	4	60"	24 5/8"	16 1/4"	12"
UST6024-DD	24	9 top & 6 bottom	4	60"	24 5/8"	23 3/4"	8"
UST7212-DD	12	8	4	72"	29 5/8"	16 1/4"	12"
UST7218-DD	18	8	4	72"	29 5/8"	23 3/4"	8"
UST7224-DD	24	8	4	72"	29 5/8"	23 3/4"	8"
UST7230-DD	30	8	4	72"	29 5/8"	23 3/4"	8"

Project

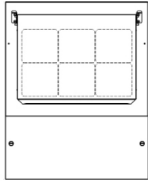
Quantity

Item #

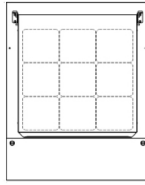
Model Specified:

CSI Section 11400

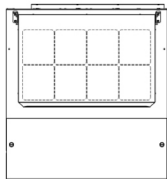
Top Pan Configuration



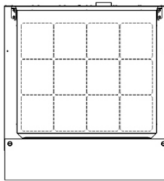
UST276 Model



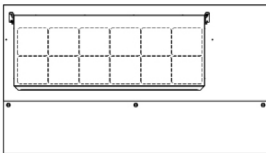
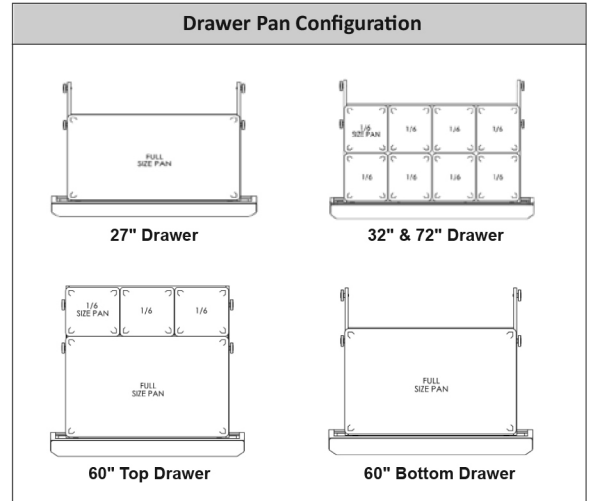
UST279 Model



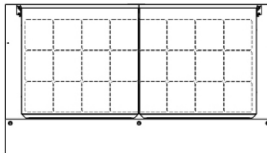
UST328 Model



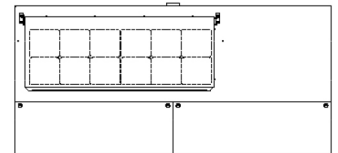
UST3212 Model



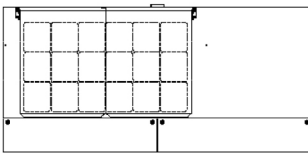
UST6012 Model



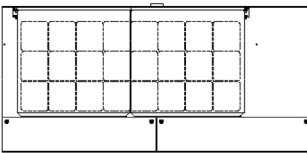
UST6024 Model



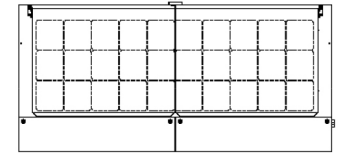
UST7212 Model



UST7218 Model



UST7224 Model



UST7230 Model

TRAULSEN
4401 BLUE MOUND RD.
PHONE 1 (800) 825-8220
Website: www.traulsen.com

FT. WORTH, TX 76106
FAX-MKTG. 1 (817) 624-4302

Project	Quantity	Item #
Model Specified:		CSI Section 11400

Specifications

Construction, Hardware and Insulation

Cabinet exterior front, one piece sides, pan lid, and drawers are constructed of 22 gauge stainless steel. Cabinet interior is constructed of anodized aluminum. The exterior cabinet back and bottom are constructed of galvanized steel.

The cabinet is insulated with an average of 2" thick high density, non-CFC, foamed in place polyurethane.

A 3/4" thick, full-length, reversible white nylon cutting board is supplied standard.

Top Pans & Cover

Each model is supplied standard with its full compliment of 4" deep plastic 1/6 size pans and stainless steel pan dividers. The insulated lift-up pan cover is constructed of stainless steel, and is easily removable for cleaning.

Refrigeration System

A balanced, rear mounted, front breathing, self-contained refrigeration system using R-134a refrigerant is provided. It features a capillary tube metering device, air-cooled hermetic compressor, a forced air evaporator coil and a non-electric condensate evaporator. An 8' cord and plug is provided. Standard operating temperature of the refrigerated base is 34 to 38°F.

Drawers

They are constructed using 16 gauge stainless steel drawer slides and 1-5/16" diameter stainless steel rollers. Gasket profile and Santoprene® material simplify cleaning and increase overall gasket life. Drawers include both a self-closing and stay-open feature.

Warranties

Both a three year parts and labor warranty and a five year compressor warranty (self-contained models only) are provided standard.

Electrical & Refrigeration Data			Shipping Data		
115/60/1 R-134a NEMA 5-15P			(42"D x 41"H)		
Model	Full Load Amps	BTU/HR - HP	Width - crated	Volume - crated cu. ft.	Weight - lbs.
UST276-D	7.5	1390 (1/4)	45"	45	386 net/425 gross
UST279-D	7.5	1390 (1/4)	45"	45	386 net/425 gross
UST328-D	7.5	1390 (1/4)	45"	45	255 net/300 gross
UST3212-D	7.5	1390 (1/4)	45"	45	255 net/300 gross
UST6012-DD	7.5	1390 (1/4)	69"	69	457 net/500 gross
UST6024-DD	7.5	1390 (1/4)	69"	69	457 net/500 gross
UST7212-DD	7.5	1390 (1/4)	84"	84	560 net/600 gross
UST7218-DD	7.5	1390 (1/4)	84"	84	560 net/600 gross
UST7224-DD	7.5	1390 (1/4)	84"	84	560 net/600 gross
UST7230-DD	7.5	1390 (1/4)	84"	84	560 net/600 gross

NOTES:

- Overall depth figure includes standard cutting board.
- Height shown when mounted on 4" casters.
- Based on a 90 degree F ambient and 20 degree F evaporator.
- This unit may be manufactured in other electrical characteristics and may have additional regulatory agency approvals. Consult factory for other electrical characteristics and agency approvals based on specific electrical and country requirements. (For exact electrical information and approval marks, always refer to the data label of the unit.)
- Continued product development may necessitate specification changes without notice.

Part No. TR35934 (REV. 02-05-16)

TRAULSEN
4401 BLUE MOUND RD.
PHONE 1 (800) 825-8220
Website: www.traulsen.com

FT. WORTH, TX 76106
FAX-MKTG. 1 (817) 624-4302