

Project	Quantity	Item #
Model Specified:		CSI Section 11400

Compact Sandwich Prep Tables/ Self-Contained R290



Model UST4818LR-0300

27", 32", 48", 60" & 72" Wide Models



Stainless Exterior,
Anodized Aluminum
Interior

- 27" Wide 6 Pan R290 Model
- 27" Wide 9 Pan R290 Model
- 32" Wide 8 Pan R290 Model
- 32" Wide 12 Pan R290 Model
- 48" Wide 8 Pan R290 Model
- 48" Wide 12 Pan R290 Model
- 48" Wide 18 Pan R290 Model
- 60" Wide 12 Pan R290 Model
- 60" Wide 24 Pan R290 Model
- 72" Wide 12 Pan R290 Model
- 72" Wide 18 Pan R290 Model
- 72" Wide 24 Pan R290 Model
- 72" Wide 30 Pan R290 Model

Traulsen shares your commitment to Corporate Sustainability initiatives and knows that it is more than just meeting the current and future regulatory requirements set by the EPA and DOE. We are committed to reducing global warming potential (GWP) and saving energy consumption while maintaining the performance and quality you have come to expect from Traulsen products.

Traulsen is proud to offer the North American market a broad selection of self-contained reach in and compact undercounter refrigeration with R290, a natural recurring refrigerant with a GWP of (3), the lowest currently available in our industry.

Standard Product Features

- High Quality Stainless Steel Exterior Top, Sides & Door(s)
- Durable, Corrosion Resistant Anodized Aluminum Interior
- Provides NSF Standard 7 Performance, Even When Using 6" Deep Pans - A Traulsen Exclusive
- Front Breathing Self-Contained Refrigeration System
- Standard Work Height 34-3/8" (see "optional accessory kits for lower height casters to meet ADA requirements or provide lower work heights).
- Environmentally Friendly R290 Refrigerant
- Top Cut-Outs Accommodate Sixth Size Pans (divider bars and 4" deep plastic sixth size pans provided)
- Reinforced Pan Ledge (holds pans securely leveled)
- Stainless Steel Insulated Pan Lid with Two Open Positions
- Reversible, Full Length White Nylon Cutting Board
- Self-Closing Stainless Steel Doors With Convenient Stay Open Feature @ 105 Degrees
- Metal Door Handles
- Anodized Aluminum Interior Door Liners
- Interior Mounted Thermometer
- Two (2) Powder Coated Steel Shelves Per Door, Mounted On Adjustable Pilasters
- Automatic Non-Electric Condensate Evaporator
- Magnetic Snap-In EZ-Clean Door Gasket(s)
- 8' Cord & Plug Attached
- Set of Four (4) 4" Casters (6 for 60" & 72" models)
- Three Year Parts And Labor Warranty
- Five Year Compressor Warranty



Sustainability Features

- SNAP compliant R290 (GWP 3) Refrigerant EPA Rule 20
- All Metal Construction And Long Equipment Life Reduces Pressure On Landfills
- Real World Energy Efficiency Helps Reduce Fossil Fuel Emissions

Optional Accessory Kits*

- CASTER 5SET4 (four 6" high casters for 27", 32" & 48" models)
- CASTER 5SET6 (six 6" high casters for 60" & 72" models)
- CASTER SET3IN (four 3-1/2" high casters for 27", 32" & 48" models)
- CASTER SET4 (six 3-1/2" high casters for 60" & 72" models)
- CASTER SET2IN (four 2-1/2" high casters for 27" models)
- SHELF CPW1 (additional shelf for all 27" models)
- SHELF CPW2 (additional shelf for all 32" models)
- SHELF48 UPPER (upper shelf for all 48" models)
- SHELF48 LOWER (lower shelf for all 48" models)
- SHELF60 UPPER (upper shelf for all 60" models)
- SHELF60 LOWER (lower shelf for all 60" models)
- SHELF72 UPPER (upper shelf for all 72" models)
- SHELF72 LOWER (lower shelf for all 72" models)

*All optional accessory kits are shipped separately for field installation.

Factory Installed Options

- Stainless Steel Finished Back
- Other Door Hingings



This unit is listed to UL 471, CSA 120 and NSF 7 by an approved NRTL. Consult the factory or unit data plate for approval information.

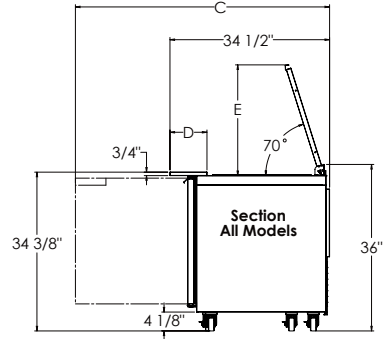
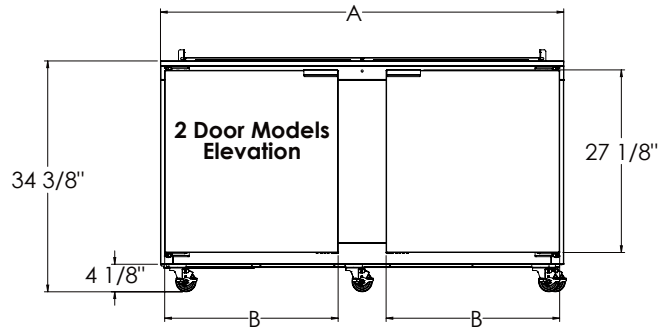
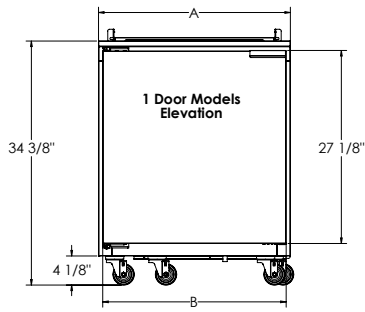
Approval: _____



TRAULSEN
4401 BLUE MOUND RD.
PHONE 1 (800) 825-8220
Website: www.traulsen.com

FT. WORTH, TX 76106
FAX-MKTG. 1 (817) 624-4302

Project	Quantity	Item #
Model Specified:		CSI Section 11400



Cabinet Dimensional Data												
Model	Storage cu. ft.	# of 1/6 Size Pans Top	A	B	C	D	E	Clear Door Opening	# of doors	Door Hinging	# of shelves	Total shelf area sq. ft.
UST2706R0-0300	7.7	6	27"	25 7/8"	55 3/8"	12"	16 1/4"	22 3/4"	1	Hinged Right (R0) Hinged Left (L0)	2	4.88
UST2709R0-0300	7.7	9	27"	25 7/8"	55 3/8"	8"	22 3/16"	22 3/4"	1	Hinged Right (R0) Hinged Left (L0)	2	4.88
UST3208R0-0300	9.3	8	32"	30 13/16"	60 3/8"	12"	17 1/2"	27 3/4"	1	Hinged Right (R0) Hinged Left (L0)	2	6.13
UST3212R0-0300	9.3	12	32"	30 13/16"	60 3/8"	8"	23 5/8"	27 3/4"	1	Hinged Right (R0) Hinged Left (L0)	2	6.13
UST4808LR-0300										Hinged Left/Right (LR) Hinged Left/Left (LL)		
UST4808LL-0300										Hinged Left/Right (LR) Hinged Left/Left (LL)		
UST4808RR-0300	14.0	8	48"	21 1/8"	50 5/8"	12"	16 1/4"	18"	2	Hinged Right/Right (RR)	4	10.3
UST4812LR-0300										Hinged Left/Right (LR) Hinged Left/Left (LL)		
UST4812LL-0300										Hinged Left/Right (LR) Hinged Left/Left (LL)		
UST4812RR-0300	14.0	12	48"	21 1/8"	50 5/8"	12"	16 1/4"	18"	2	Hinged Right/Right (RR)	4	10.3
UST4818LR-0300										Hinged Left/Right (LR) Hinged Left/Left (LL)		
UST4818LL-0300										Hinged Left/Right (LR) Hinged Left/Left (LL)		
UST4818RR-0300	14.0	18	48"	21 1/8"	50 5/8"	8"	23 3/4"	18"	2	Hinged Right/Right (RR)	4	10.3
UST6012LR-0300										Hinged Left/Right (LR) Hinged Left/Left (LL)		
UST6012LL-0300										Hinged Left/Right (LR) Hinged Left/Left (LL)		
UST6012RR-0300	18.2	12	60"	25 7/8"	55 3/8"	12"	16 1/4"	22 3/4"	2	Hinged Right/Right (RR)	4	13.2
UST6024LR-0300										Hinged Left/Right (LR) Hinged Left/Left (LL)		
UST6024LL-0300										Hinged Left/Right (LR) Hinged Left/Left (LL)		
UST6024RR-0300	18.2	24	60"	25 7/8"	55 3/8"	8"	23 3/4"	22 3/4"	2	Hinged Right/Right (RR)	4	13.2
UST7212LR-0300										Hinged Left/Right (LR) Hinged Left/Left (LL)		
UST7212LL-0300										Hinged Left/Right (LR) Hinged Left/Left (LL)		
UST7212RR-0300	24.5	12	72"	25 7/8"	60 3/8"	12"	16 1/4"	27 3/4"	2	Hinged Right/Right (RR)	4	15.5
UST7218LR-0300										Hinged Left/Right (LR) Hinged Left/Left (LL)		
UST7218LL-0300										Hinged Left/Right (LR) Hinged Left/Left (LL)		
UST7218RR-0300	24.5	18	72"	30 13/16"	60 3/8"	8"	23 3/4"	27 3/4"	2	Hinged Right/Right (RR)	4	15.5
UST7224LR-0300										Hinged Left/Right (LR) Hinged Left/Left (LL)		
UST7224LL-0300										Hinged Left/Right (LR) Hinged Left/Left (LL)		
UST7224RR-0300	24.5	24	72"	30 13/16"	60 3/8"	8"	23 3/4"	27 3/4"	2	Hinged Right/Right (RR)	4	15.5
UST7230LR-0300										Hinged Left/Right (LR) Hinged Left/Left (LL)		
UST7230LL-0300										Hinged Left/Right (LR) Hinged Left/Left (LL)		
UST7230RR-0300	24.5	30	72"	30 13/16"	60 3/8"	8"	23 3/4"	27 3/4"	2	Hinged Right/Right (RR)	4	15.5

NOTE: R290 model configurations are different than standard models.

TRAUlsen 4401 BLUE MOUND RD. PHONE 1 (800) 825-8220 Website: www.traulsen.com	FT. WORTH, TX 76106 FAX-MKTG. 1 (817) 624-4302	
---	---	--

Project

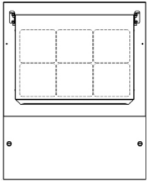
Quantity

Item #

Model Specified:

CSI Section 11400

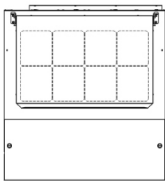
Top Pan Configuration



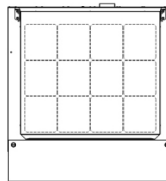
UST276 Model



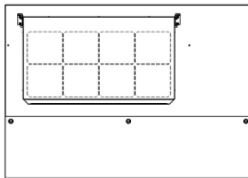
UST279 Model



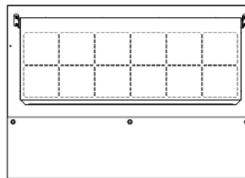
UST328 Model



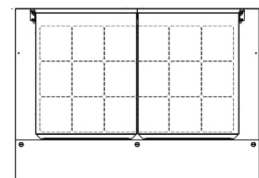
UST3212 Model



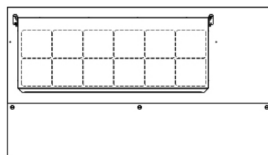
UST488 Model



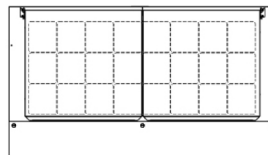
UST4812 Model



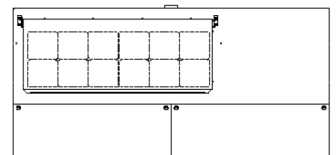
UST4818 Model



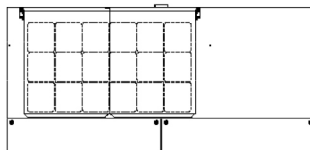
UST6012 Model



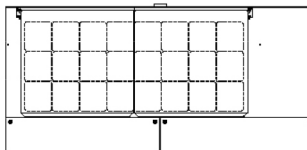
UST6024 Model



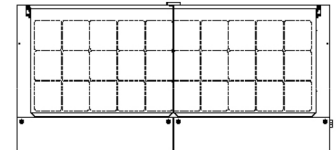
UST7212 Model



UST7218 Model



UST7224 Model



UST7230 Model



TRAULSEN
4401 BLUE MOUND RD.
PHONE 1 (800) 825-8220
Website: www.traulsen.com

FT. WORTH, TX 76106
FAX-MKTG. 1 (817) 624-4302

Project	Quantity	Item #
Model Specified:		CSI Section 11400

Specifications

Construction, Hardware and Insulation

Cabinet exterior front, one piece sides, pan lid, and doors are constructed of 22 gauge stainless steel. Cabinet interior and door liners are constructed of anodized aluminum. The exterior cabinet back and bottom are constructed of galvanized steel.

Doors self close at less than 90 degrees and also includes a stay open feature at 105 degrees. Gasket profile and Santoprene® material simplify cleaning and increase overall gasket life.

Both the cabinet and doors are insulated with an average of 2" thick high density, non-CFC, foamed in place polyurethane.

A 3/4" thick, full-length, reversible white nylon cutting board is supplied standard.

Pans & Cover

Each model is supplied standard with its full compliment of 4" deep plastic 1/6 size pans and stainless steel pan dividers. The insulated lift-up pan cover is constructed of stainless steel, and is easily removable for cleaning.

Refrigeration System-R290

A balanced, rear mounted, front breathing, self-contained refrigeration system using R290 refrigerant is provided. It features a capillary tube metering device, air-cooled hermetic compressor, a forced air evaporator coil and a non-electric condensate evaporator. An 8' cord and plug is provided. Standard operating temperature of the refrigerated base is 34 to 38°F.

Interior

Standard interior arrangements include two (2) powder coated wire shelves per door, mounted on pilasters. These are adjustable in 1/2" increments, allowing for a minimum of 1-1/2" spacing between shelves.

Warranties

Both a three year parts and labor warranty and a five year compressor warranty (self-contained models only) are provided standard.

Model	Electrical & Refrigeration Data		Shipping Data		
	115/60/1	R290 NEMA 5-15P	(42" D x 41" H)		
	Full Load Amps	BTU/HR - HP	Width - crated	Volume - crated cu. ft.	Weight - lbs.
UST2706R0-0300					
UST2706L0-0300	7.2	1525 (1/4)	45"	45	376 net/425 gross
UST2709R0-0300					
UST2709L0-0300	7.2	1525 (1/4)	45"	45	376 net/425 gross
UST3208R0-0300					
UST3208L0-0300	7.2	1525 (1/4)	45"	45	255 net/300 gross
UST3212R0-0300					
UST3212L0-0300	7.2	1525 (1/4)	45"	45	255 net/300 gross
UST4808LR-0300					
UST4808LL-0300					
UST4808RR-0300	7.2	1525 (1/4)	69"	69	355 net/400 gross
UST4812LR-0300					
UST4812LL-0300					
UST4812RR-0300	7.2	1525 (1/4)	69"	69	355 net/400 gross
UST4818LR-0300					
UST4818LL-0300					
UST4818RR-0300	7.2	1525 (1/4)	69"	69	355 net/400 gross
UST6012LR-0300					
UST6012LL-0300					
UST6012RR-0300	7.2	1525 (1/4)	69"	69	457 net/500 gross
UST6024LR-0300					
UST6024LL-0300					
UST6024RR-0300	7.2	1525 (1/4)	69"	69	457 net/500 gross
UST7212LR-0300					
UST7212LL-0300					
UST7212RR-0300	7.2	1525 (1/4)	84"	84	548 net/575 gross
UST7218LR-0300					
UST7218LL-0300					
UST7218RR-0300	7.2	1525 (1/4)	84"	84	548 net/575 gross

NOTES:

- Overall depth figure includes standard cutting board.
- Height shown when mounted on 4" casters.
- Based on a 90 degree F ambient and 20 degree F evaporator.
- When ordering please specify: Voltage, Hinging, Optional Accessories and any additional warranties.
- This unit may be manufactured in other electrical characteristics and may have additional regulatory agency approvals. Consult factory for other electrical characteristics and agency approvals based on specific electrical and country requirements. (For exact electrical information and approval marks, always refer to the data label of the unit.)
- Continued product development may necessitate specification changes without notice.

Part No. TR35974 (revised 02-11-16)

TRAULSEN
4401 BLUE MOUND RD.
PHONE 1 (800) 825-8220
Website: www.traulsen.com

FT. WORTH, TX 76106
FAX-MKTG. 1 (817) 624-4302

