



T&S BRASS AND BRONZE WORKS, INC.

2 Saddleback Cove / P.O. Box 1088
Travelers Rest, SC 29690



REG. #A2601
ISO #9001

Model No.

002832-40

Item No.

Travelers Rest, SC: 800-476-4103 • Simi Valley, CA: 800-423-0150 • Fax: 864-834-3518 • www.tsbrass.com

This Space for Architect/Engineer Approval

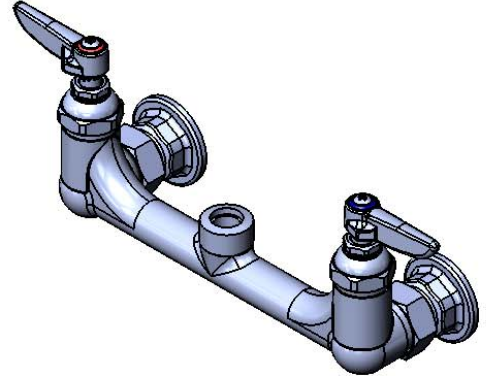
Job Name _____ Date _____

Model Specified _____ Quantity _____

Customer/Wholesaler _____

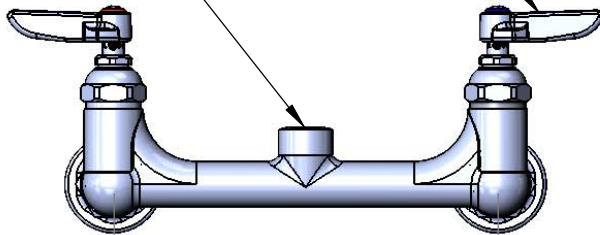
Contractor _____

Architect/Engineer _____



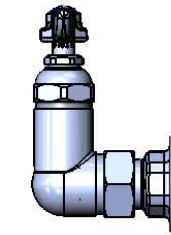
Eterna Cartridges
w/ Spring Checks
& Lever Handles
w/ Color Coded
Indexes

3/8" NPT
Female Outlet



8"
[203mm]
Adjustable from
7 3/4" to 8 1/4"
[197mm to 210mm]

2 3/8"
[61mm]



Mounting
Surface

Ø 2" [51mm]
Flanges w/
1/2" NPT
Female Inlets

Note: Rigid Base may be Converted to Swivel by
Specifying a B-0412 Rigid to Swivel Adapter

Product Specifications:

8" c/c Rigid Wall Mount Base Faucet Assembly, Eterna Cartridges
w/ Spring Checks, 00AA Wall Flanges & Lever Handles

Drawn

DHL

Checked

KJG

Approved

JHB

Scale:

1:4

Date:

02/07/11



T&S BRASS AND BRONZE WORKS, INC.

2 Saddleback Cove / P.O. Box 1088
Travelers Rest, SC 29690



REG. #A2601
ISO #9001

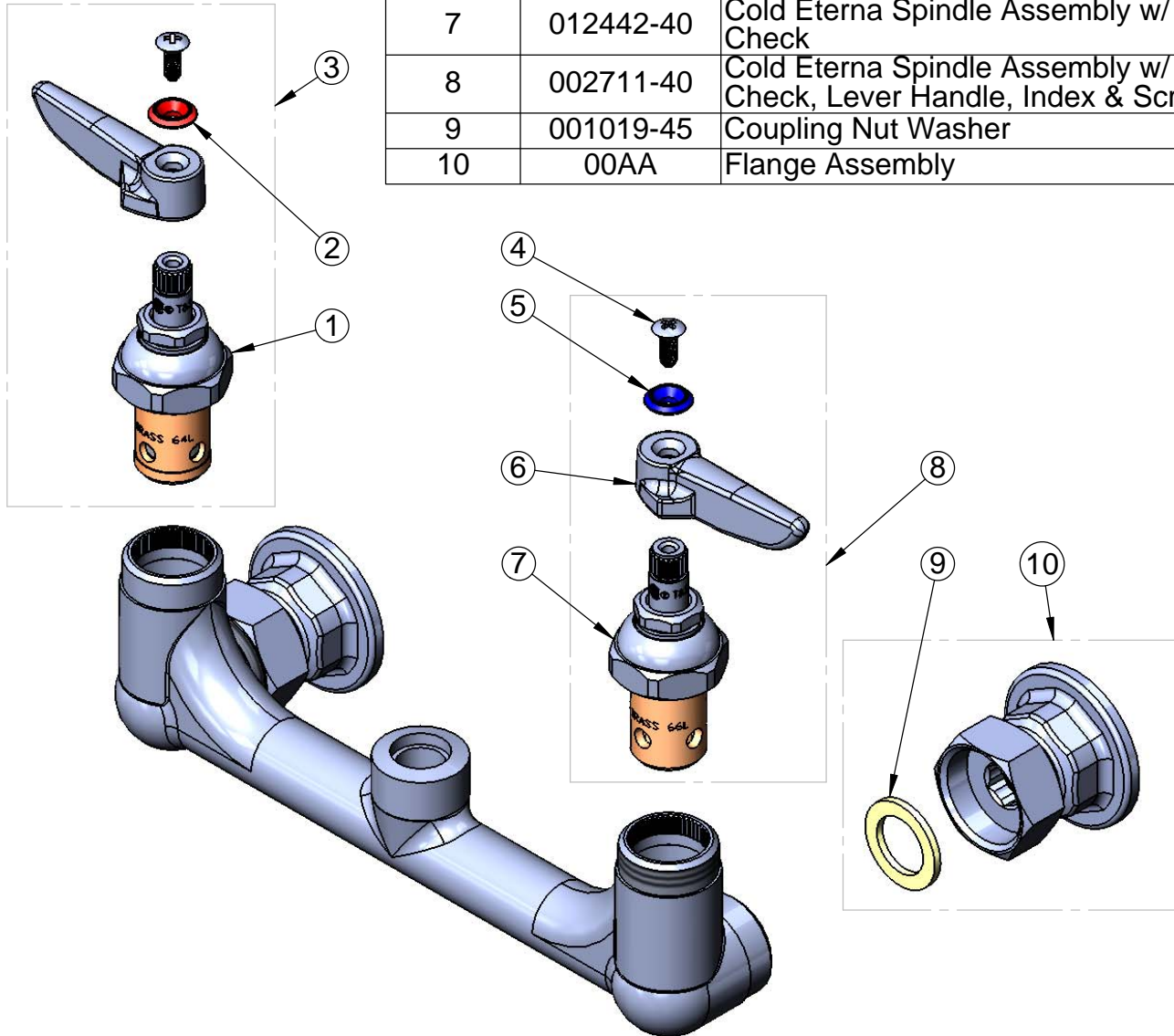
Model No.

002832-40

Item No.

Travelers Rest, SC: 800-476-4103 • Simi Valley, CA: 800-423-0150 • Fax: 864-834-3518 • www.tsbrass.com

ITEM NO.	SALES NO.	DESCRIPTION
1	012443-40	Hot Eterna Spindle Assembly w/ Spring Check
2	001661-45	Red Index-HW
3	002712-40	Hot Eterna Spindle Assembly w/ Spring Check, Lever Handle, Index & Screw
4	000922-45	Lever Handle Screw
5	001660-45	Blue Index-CW
6	001638-45	Lever Handle
7	012442-40	Cold Eterna Spindle Assembly w/ Spring Check
8	002711-40	Cold Eterna Spindle Assembly w/ Spring Check, Lever Handle, Index & Screw
9	001019-45	Coupling Nut Washer
10	00AA	Flange Assembly



Product Specifications:
8" c/c Rigid Wall Mount Base Faucet Assembly, Eterna Cartridges
w/ Spring Checks, 00AA Wall Flanges & Lever Handles

Drawn DHL	Checked KJG	Approved JHB
Scale: NTS		Date: 02/07/11