

T&S BRASS AND BRONZE WORKS, INC.
 2 SADDLEBACK COVE / P.O. BOX 1088 / TRAVELERS REST, SC 29690
 PHONE 800-476-4103 FAX 864-834-3518



REG. #A2601
 ISO #9002

Sales No.

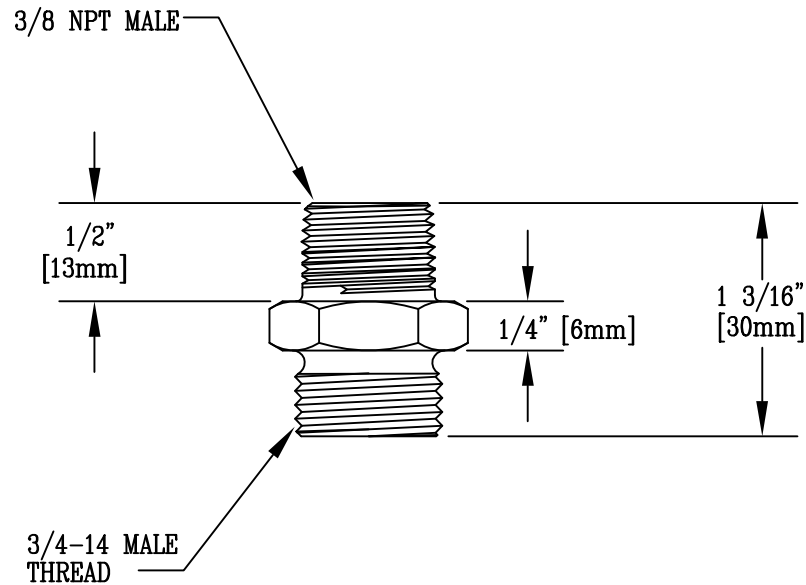
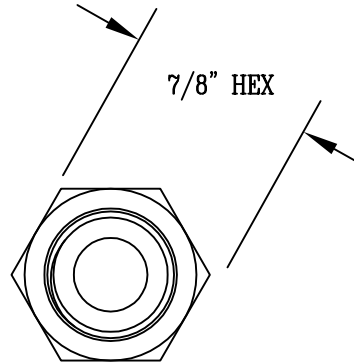
053A

Item No.:

Job Name:

Architect/Engineer Approval:

Notes:



Product Description:

3/8" NPT MALE x 3/4-14 MALE ADAPTER

Drawn:

WJS

Approved

MVW

Checked

DMA

Scale:

1 : 1

Date:

3/16/98