



T&S BRASS AND BRONZE WORKS, INC.
 2 SADDLEBACK COVE / P.O. BOX 1088 / TRAVELERS REST, SC 29690
 PHONE 800-476-4103 - FAX 864- 834-3518



Sales No.

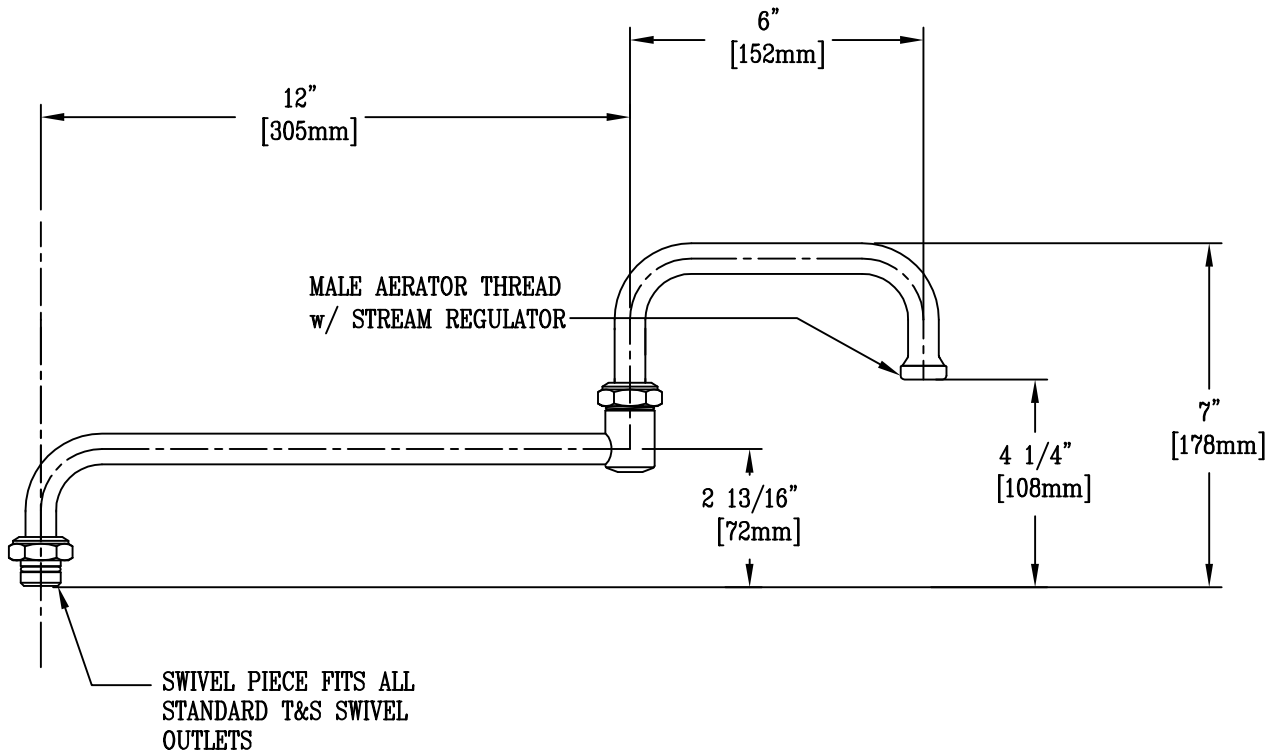
068X

**RELIABILITY
 BUILT IN**

Job Name:

Architect/Engineer Approval:

Notes:



Product Description:

18" DOUBLE JOINT SWING NOZZLE
 12" BACK SECTION, 6" FRONT SECTION

Drawn:

WJS

Checked

MWR

Scale:

1 : 4

Approved

CA

Date:

1-19-96