



T&S BRASS AND BRONZE WORKS, INC.
 2 SADDLEBACK COVE / P.O. BOX 1088 / TRAVELERS REST, SC 29690
 PHONE 800-476-4103 FAX 803- 834-3518



Model No.

RK-1

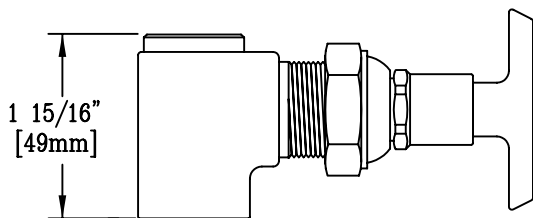
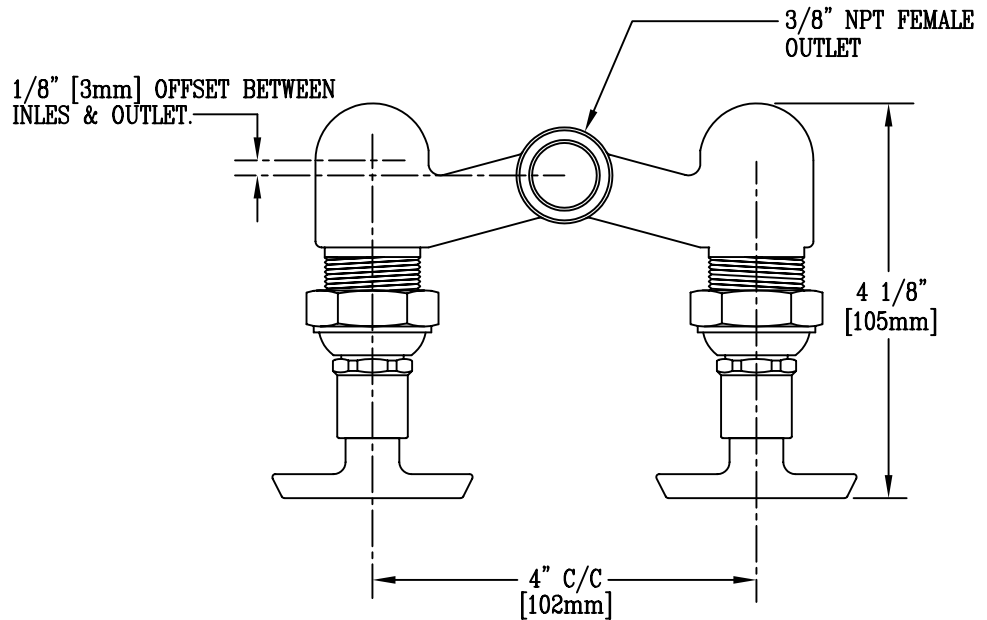
Item No.:

REG.#A2601
ISO #9002

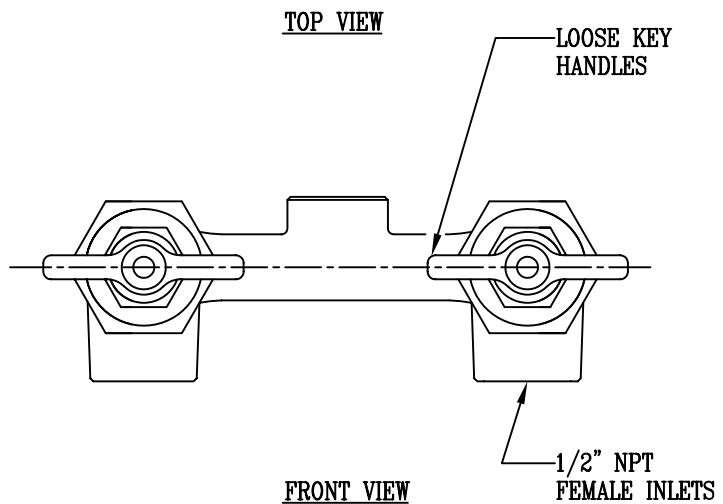
Job Name:

Architect/Engineer Approval:

Notes:



SIDE VIEW



Product Description:

MIXING CONTROL VALVE WITH LOOSE HANDLES, 1/2" NPT BOTTOM INLETS, AND 3/8" NPT TOP OUTLET

Drawn:

Checked

Scale:

WJS

MWR

6"=1'

Approved

Date:

CA

1/2/96