

T&S BRASS AND BRONZE WORKS, INC.

2 SADDLEBACK COVE / P.O. BOX 1088 / TRAVELERS REST, SC 29690

PHONE 800-476-4103

FAX 864-834-3518



REG.#A2601  
ISO #9002

Model No.

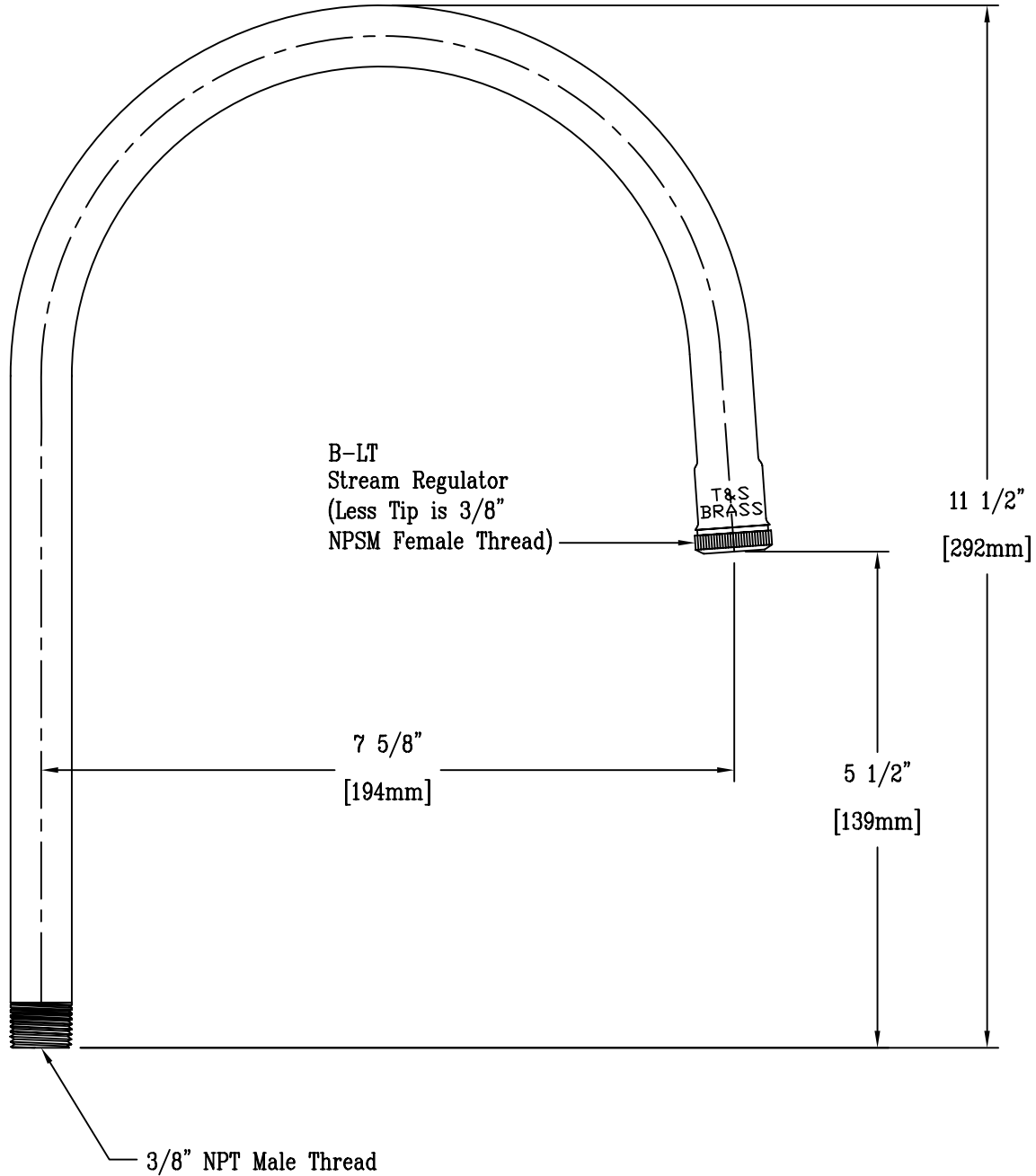
127X

Item No.:

Job Name:

Architect/Engineer Approval:

Notes:



Product Description:

127X Rigid Gooseneck w/  
B-LT Stream Regulator Tip

Drawn:

DHL

Checked

KJG

Scale:

1:2

Approved

JHB

Date:

10/16/08