



T&S BRASS AND BRONZE WORKS, INC.

2 SADDLEBACK COVE / P.O. BOX 1088 / TRAVELERS REST, SC 29690

PHONE 800-476-4103

FAX 864- 834-3518



Model No.

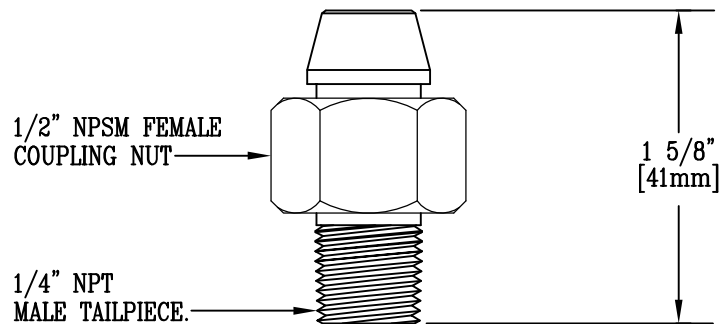
150A

Item No.:

Job Name:

Architect/Engineer Approval:

Notes:



Product Description:

UNION COUPLING TAILPIECE

Drawn:

WJS

Checked

MWR

Scale:

1' = 1'

Approved

CA

Date:

2/14/96