

Ø 2 1/16"  
[52mm]



**ADA Compliant**

*This Space for Architect/Engineer Approval*

Job Name \_\_\_\_\_ Date \_\_\_\_\_  
 Model Specified \_\_\_\_\_ Quantity \_\_\_\_\_  
 Customer/Wholesaler \_\_\_\_\_  
 Contractor \_\_\_\_\_  
 Architect/Engineer \_\_\_\_\_

Polished Chrome  
Plated Solid Brass  
Cast Spout w/ 2.2 GPM  
[8.3 LPM] Vandal  
Resistant Aerator & Key  
(Optional 0.5 GPM [1.9 LPM]  
VR Spray Device Included)

3 5/8" x 4 3/16" x 2"  
[92mm x 106mm x 51mm]  
Deep Control Module Box  
(White) w/ Water Resistant  
Connections. AC or DC  
Operated w/ (4) AA Batteries

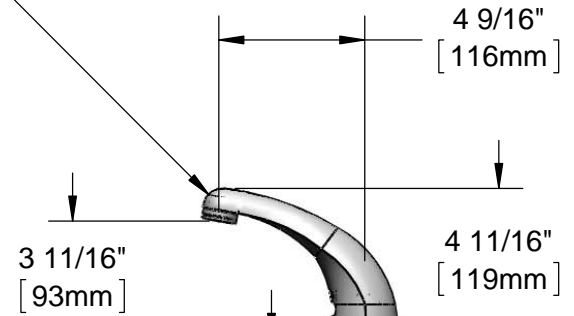
24" [610mm]  
Sensor Cable

Removable  
Strainer

Mounting Surface

1/2" NPSM x 1/4" NPSM  
18" [457mm] Long  
Flexible Stainless  
Steel Hose

Mechanical Mixing Valve  
w/ Integral Check Valves



1 3/8"  
[35mm]  
Maximum  
Thickness

100-240 VAC Adapter  
144" [3658mm] Long  
Double Power Cord.  
(Remove Rubber Plug  
on Module and Cable  
to Connect)

(2) 3/8" Compression x 1/2" NPSM  
18" [457mm] Flexible Stainless Steel  
Supply Hoses

Rough-In Requirement:  
Ø 1 1/4" [32mm] Mounting Hole

Model Number 5EF-1D-DS-VF05	Date 08/29/12	Scale 1:6	Drawn KJG	Checked GEF	Approved JHB
--------------------------------	------------------	--------------	--------------	----------------	-----------------

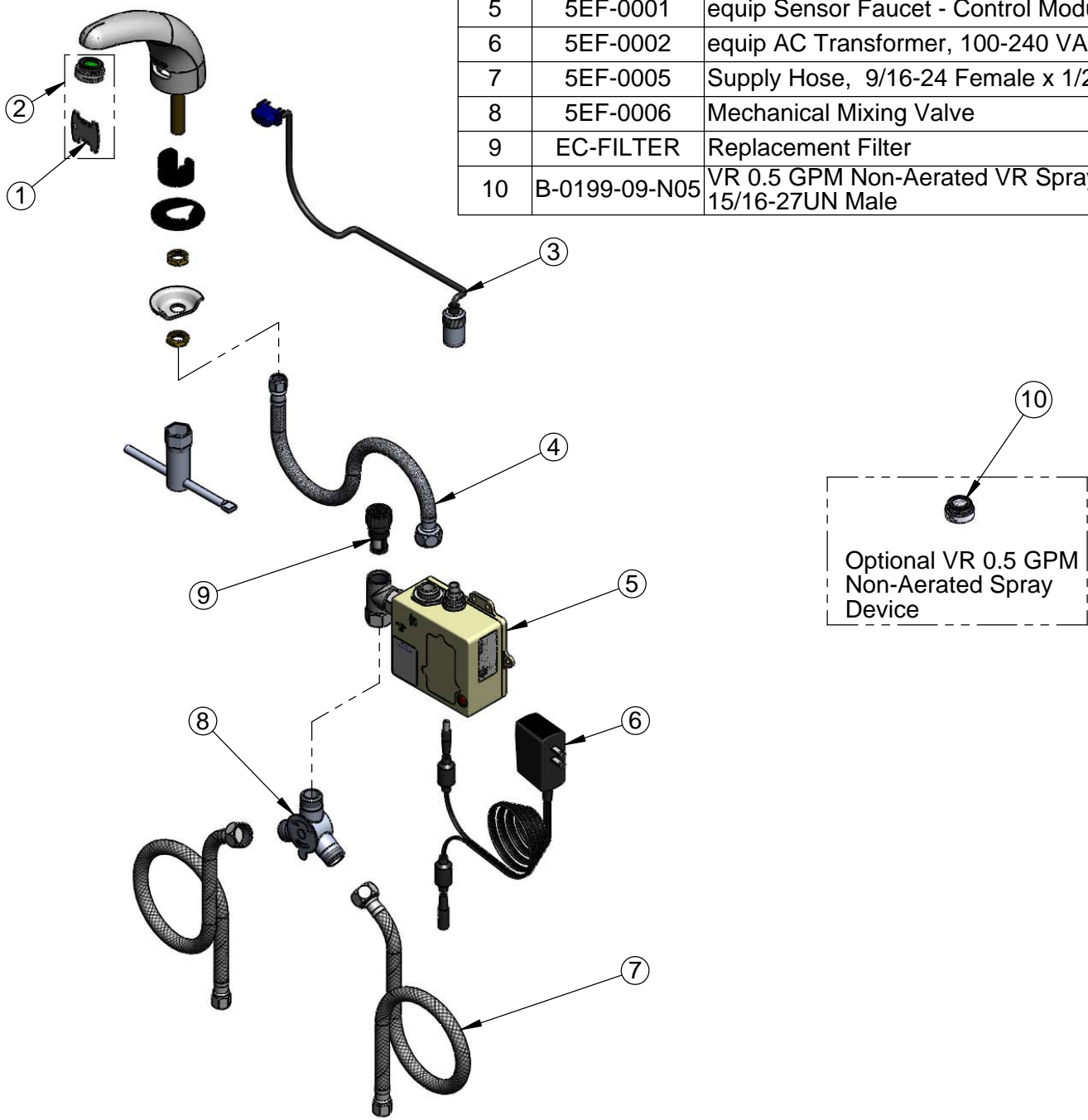


Product Specifications:

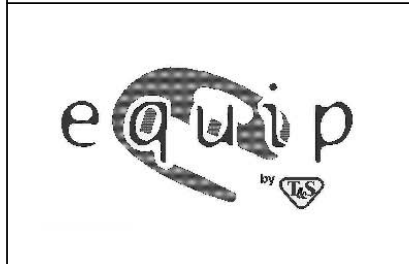
**Electronic Faucet: Cast Brass Single Hole Deck Mount, 0.5 GPM VR Spray Device, Temperature Control Mixing Valve w/ Integral Check Valves, (2) 18" Long Flexible Supply Hoses & AC-DC Control Module**

equip Foodservice Accessories  
2 Saddleback Cove, P.O. Box 1088  
Travelers Rest, South Carolina 29690  
Phone: 800.891.4808 Fax: 800.868.0084

ITEM NO.	SALES NO.	DESCRIPTION
1	015425-45	Vandal Resistant Key
2	B-0199-09	Vandal Resistant 2.2 GPM Aerator w/ Key
3	5EF-0003	24" Sensor Cable
4	016297-45	Inlet Hose, Faucet, 1/2" NPSM-F x 1/4" NPSM-F
5	5EF-0001	equip Sensor Faucet - Control Module
6	5EF-0002	equip AC Transformer, 100-240 VAC
7	5EF-0005	Supply Hose, 9/16-24 Female x 1/2" NPSM
8	5EF-0006	Mechanical Mixing Valve
9	EC-FILTER	Replacement Filter
10	B-0199-09-N05	VR 0.5 GPM Non-Aerated VR Spray Device, 15/16-27UN Male



Model Number 5EF-1D-DS-VF05	Date 08/29/12	Scale NTS	Drawn KJG	Checked GEF	Approved JHB
--------------------------------	------------------	--------------	--------------	----------------	-----------------



Product Specifications:  
**Electronic Faucet: Cast Brass Single Hole Deck Mount, 0.5 GPM VR Spray Device, Temperature Control Mixing Valve w/ Integral Check Valves, (2) 18" Long Flexible Supply Hoses & AC-DC Control Module**

equip Foodservice Accessories  
 2 Saddleback Cove, P.O. Box 1088  
 Travelers Rest, South Carolina 29690  
 Phone: 800.891.4808 Fax: 800.868.0084