



ADA Compliant

This Space for Architect/Engineer Approval

Job Name _____ Date _____

Model Specified _____ Quantity _____

Customer/Wholesaler _____

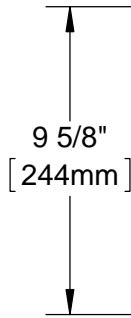
Contractor _____

Architect/Engineer _____

016739-40
Swivel Gooseneck w/
2.2 GPM [8.3 LPM]
Vandal Resistant Aerator.
Rigid Conversion Requires
017421-45 Lock Washer
(Included)



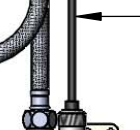
30" [762mm] Long
Flexible Stainless
Steel Hose Between
Shank & Control
Module



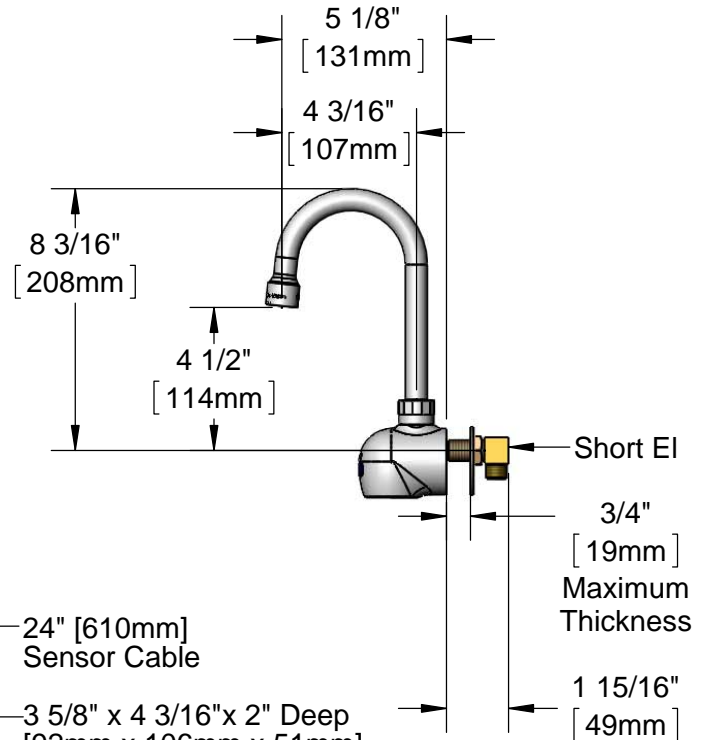
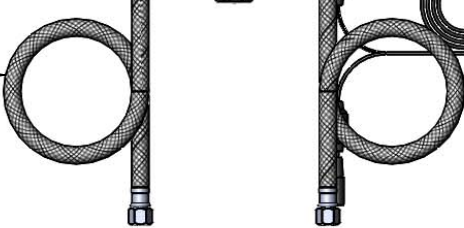
Removable
Strainer



5EF-TMV
ASSE 1070
Thermostatic
Mixing Valve
w/ Integral
Check Valves



(2) 18" [457mm]
Flexible Stainless
Steel Supply Hoses.
1/2" NPSM Female
x 3/8" Compression
Female



24" [610mm]
Sensor Cable

3 5/8" x 4 3/16" x 2" Deep
[92mm x 106mm x 51mm]
Control Module Box (White)
w/ Water Resistant Connections.
AC or DC Operated w/
(4) AA Batteries

100-240 VAC Adapter
w/ 144" [3658mm]
Long Double Power Cord

Rough-In Requirement:
Ø 1 1/8" [29mm] Mounting Hole

Model Number
5EF-1D-WGAT-TMV

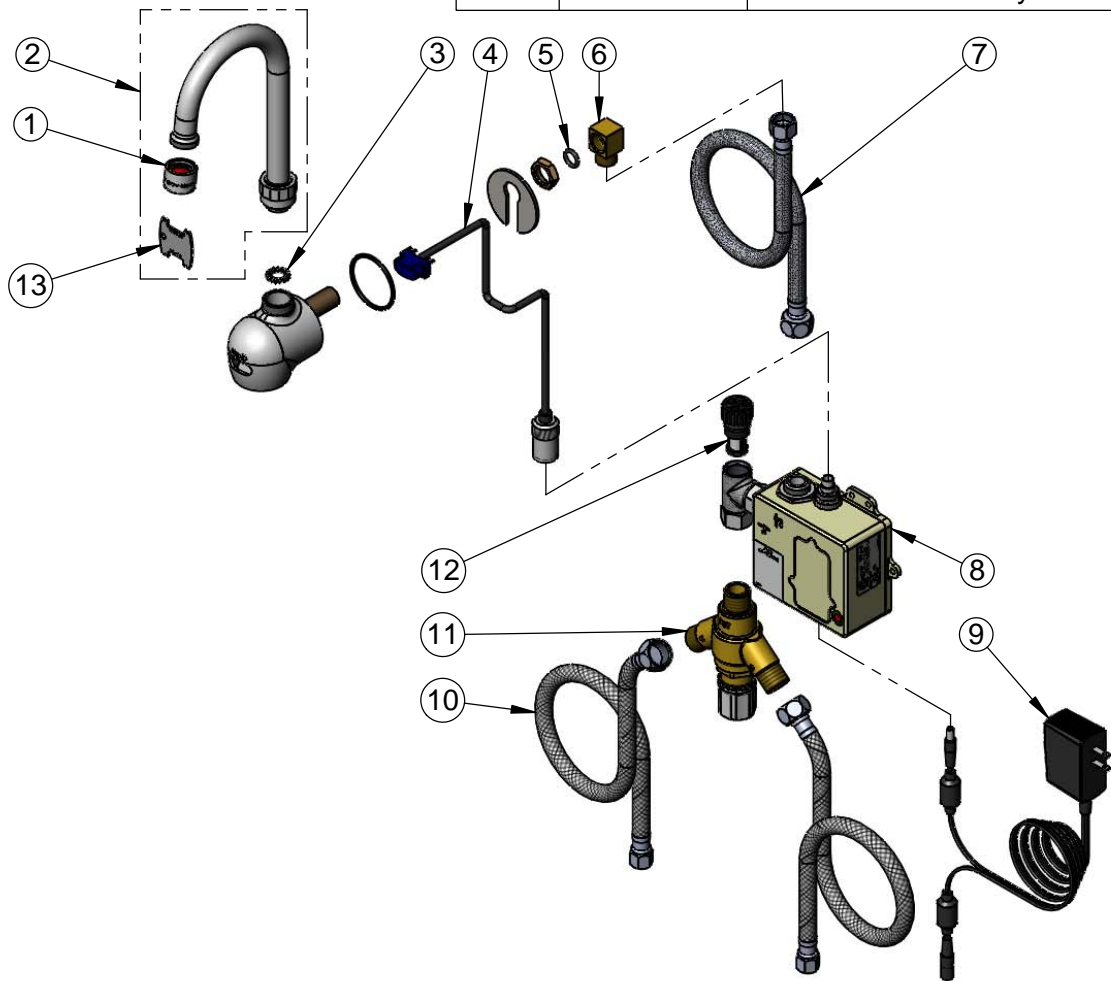
Product Specifications:
**Electronic Faucet: Wall Mount Swivel Gooseneck, 2.2 GPM VR
Aerator, AC-DC Control Module, Thermostatic Mixing Valve w/
Integral Check Valves & (2) 18" Flexible Supply Hoses**

Product Compliance:
ASME A112.18.1 / CSA B125.1
NSF 61 - Section 9
NSF 372 (Low Lead Content)
ANSI A117.1 (ADA)
UL 1951

equip
Foodservice
Accessories

2 Saddleback Cove, P.O. Box 1088
Travelers Rest, South Carolina 29690
Phone: 800.891.4808 Fax: 800.868.0084
equip.tsbrass.com

ITEM NO.	SALES NO.	DESCRIPTION
1	B-0199-06	VR 2.2 GPM Aerator w/ Key
2	016739-40	Swivel Gooseneck w/ 2.2 GPM Vandal Resistant Aerator (5EF-1D-WGAT)
3	017421-45	Serrated Lock Washer
4	5EF-0003	24" Sensor Cable
5	001075-45	O-ring, Nitrile -111
6	015345-20	3/8-18 NPSM Low Profile Elbow
7	016325-45	Inlet Hose, Faucet, 1/2" NPSM-F x 3/8" NPSM-F
8	5EF-0001	equip Sensor Faucet - Control Module
9	5EF-0002	equip AC Transformer, 100-240 VAC
10	5EF-0005	Supply Hose, 9/16-24 Female x 1/2" NPSM
11	5EF-TMV	ASSE 1070 Thermostatic Mixing Valve
12	5EF-FILTER	Replacement Filter
13	015425-45	Vandal Resistant Key



Model Number
5EF-1D-WGAT-TMV

Product Specifications:
Electronic Faucet: Wall Mount Swivel Gooseneck, 2.2 GPM VR Aerator, AC-DC Control Module, Thermostatic Mixing Valve w/ Integral Check Valves & (2) 18" Flexible Supply Hoses

Product Compliance:
ASME A112.18.1 / CSA B125.1
NSF 61 - Section 9
NSF 372 (Low Lead Content)
ANSI A117.1 (ADA)
UL 1951

equip
Foodservice
Accessories



2 Saddleback Cove, P.O. Box 1088
Travelers Rest, South Carolina 29690
Phone: 800.891.4808 Fax: 800.868.0084
equip.tsbrass.com