

**ADA Compliant**

*This Space for Architect/Engineer Approval*

Job Name \_\_\_\_\_ Date \_\_\_\_\_

Model Specified \_\_\_\_\_ Quantity \_\_\_\_\_

Customer/Wholesaler \_\_\_\_\_

Contractor \_\_\_\_\_

Architect/Engineer \_\_\_\_\_

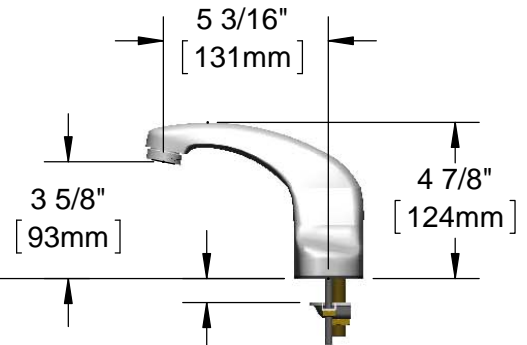
Polished Chrome Plated  
Cast Spout w/ 2.2 GPM  
Vandal Resistant  
Aerator & Key

3 5/8" x 4 3/16" x 2" Deep  
[92mm x 106mm x 51mm]  
Water Resistant Control Module  
Box (White), AC or DC Operated  
w/ (4) AA Batteries

4"  
[102mm]

24" [610mm]  
Sensor Cable

Removable  
Strainer



Mounting  
Surface

3/4"  
[19mm]  
Maximum  
Thickness

1/2" NPSM x 1/4" NPSM  
18" [457mm] Long Flexible  
Stainless Steel Hose

100-240 VAC Adapter  
w/ 144" [3658mm] Long  
Double Power Cord.  
(Remove Rubber Plugs  
in Module to Connect)

(2) 3/8" Compression x 1/2" NPSM  
18" [457mm] Flexible Stainless Steel  
Supply Hose

5EF-TMV  
ASSE 1070 Thermostatic Mixing Valve  
w/ Integral Check Valves

**Rough-In Requirement:**

- (1) Ø 1" [25mm] Center Shank Mounting Hole &
- (2) 1/2" [13mm] Mounting Stud Holes on 4" [102mm] Centers

Model Number <b>5EF-2D-DS-TMV</b>	Date <b>01/07/13</b>	Scale <b>1:6</b>	Drawn <b>DMH</b>	Checked <b>GEF</b>	Approved <b>JHB</b>
--------------------------------------	-------------------------	---------------------	---------------------	-----------------------	------------------------

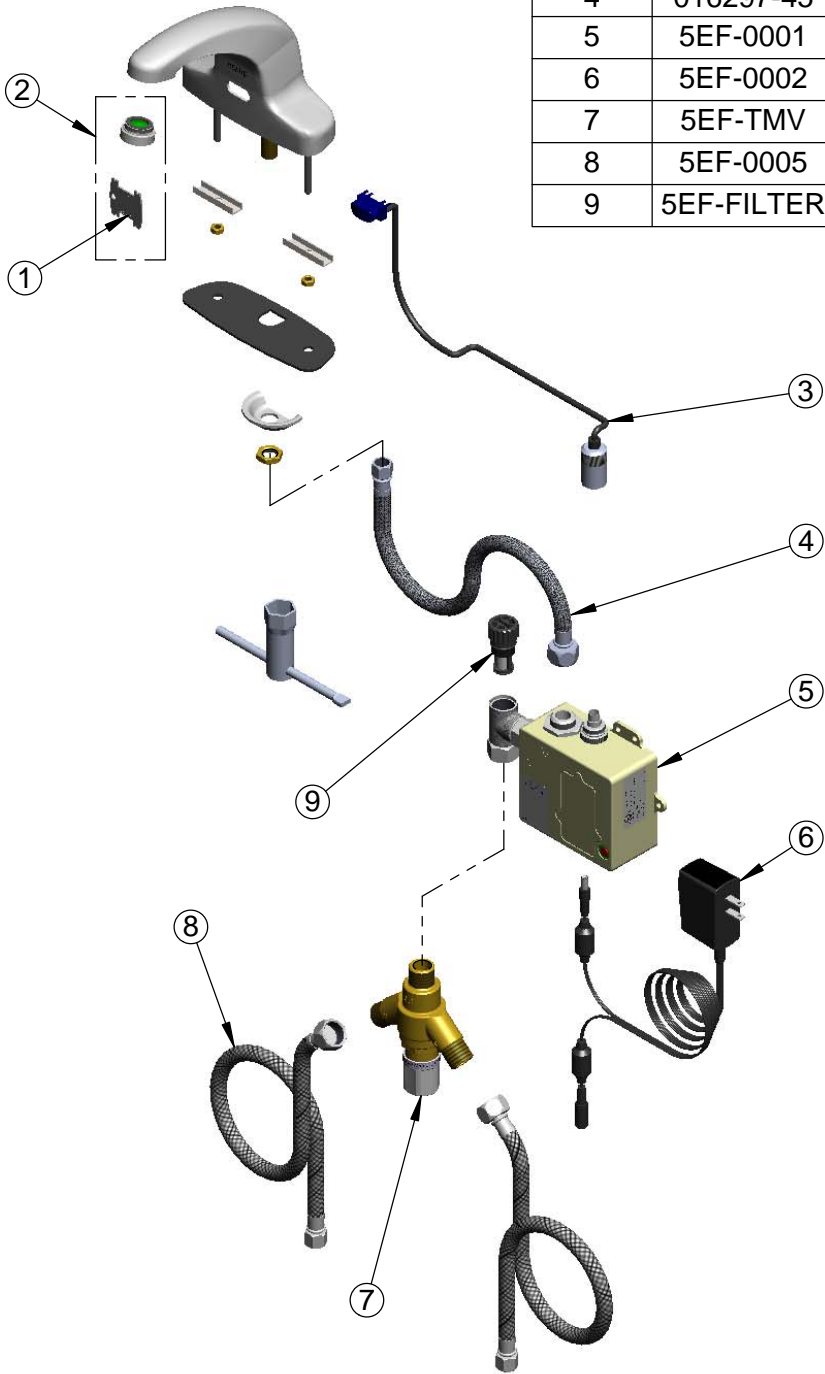


Product Specifications:

**Electronic Faucet: Cast Brass Centerset Faucet w/ 4" c/c Mounting Studs, Thermostatic Temperature Control Mixing Valve w/ Integral Check Valves, (2) 18" Long Flexible Supply Hoses & AC-DC Control Module**

equip Foodservice Accessories  
2 Saddleback Cove, P.O. Box 1088  
Travelers Rest, South Carolina 29690  
Phone: 800.891.4808 Fax: 800.868.0084

ITEM NO.	SALES NO.	DESCRIPTION
1	015425-45	Vandal Resistant Key
2	B-0199-09	Vandal Resistant 2.2 GPM Aerator
3	5EF-0003	24" Sensor Cable
4	016297-45	Inlet Hose, Faucet, 1/2" NPSM-F x 1/4" NPSM-F
5	5EF-0001	equip Sensor Faucet - Control Module
6	5EF-0002	Equip AC Transformer, 100-240 VAC
7	5EF-TMV	ASSE 1070 Thermostatic Mixing Valve
8	5EF-0005	Supply Hose, 9/16-24 Female x 1/2" NPSM
9	5EF-FILTER	Replacement Filter



Model Number <b>5EF-2D-DS-TMV</b>	Date <b>01/07/13</b>	Scale <b>NTS</b>	Drawn <b>DMH</b>	Checked <b>GEF</b>	Approved <b>JHB</b>
--------------------------------------	-------------------------	---------------------	---------------------	-----------------------	------------------------



Product Specifications:

**Electronic Faucet: Cast Brass Centerset Faucet w/ 4" c/c Mounting Studs, Thermostatic Temperature Control Mixing Valve w/ Integral Check Valves, (2) 18" Long Flexible Supply Hoses & AC-DC Control Module**

equip Foodservice Accessories  
 2 Saddleback Cove, P.O. Box 1088  
 Travelers Rest, South Carolina 29690  
 Phone: 800.891.4808 Fax: 800.868.0084