



ADA Compliant

This Space for Architect/Engineer Approval

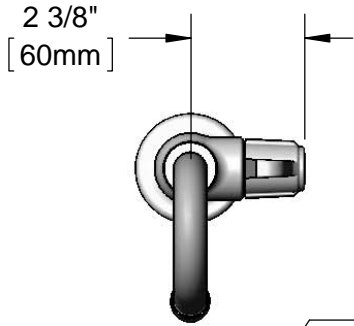
Job Name _____ Date _____

Model Specified _____ Quantity _____

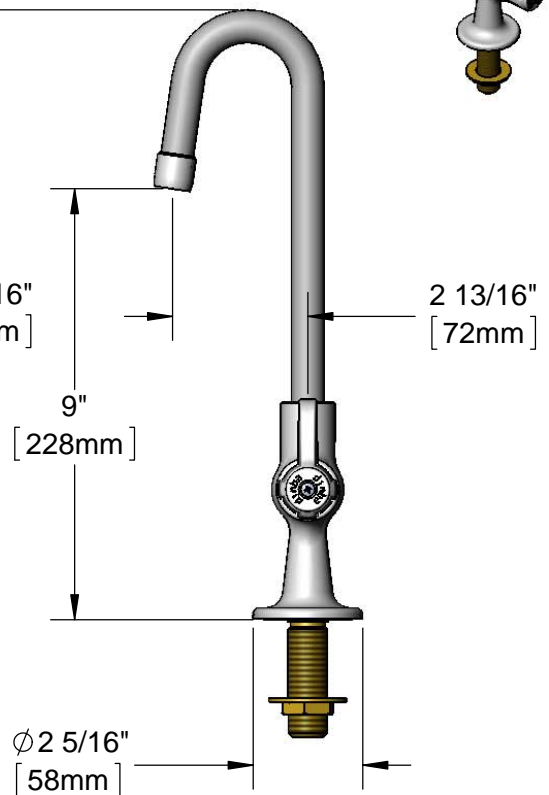
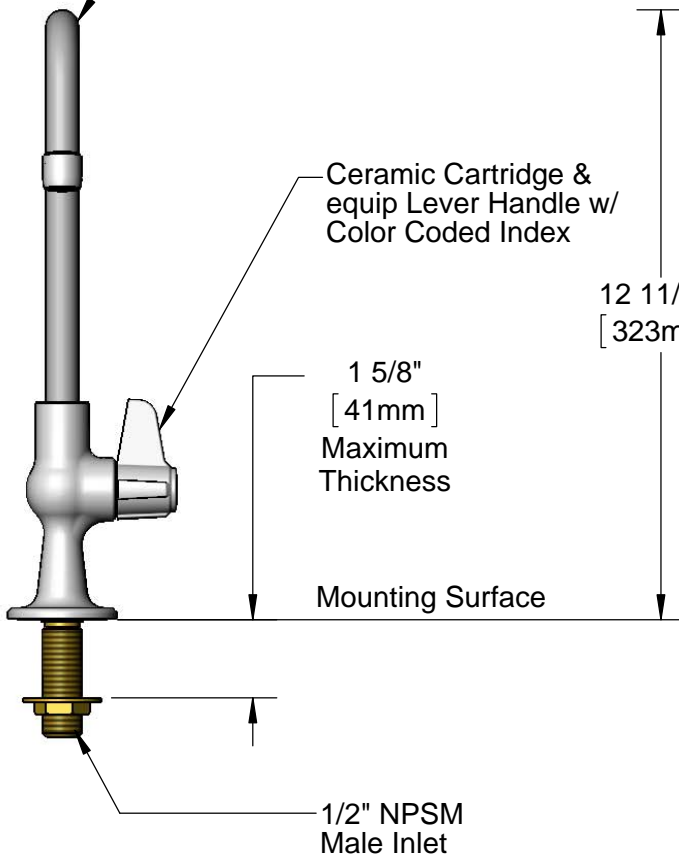
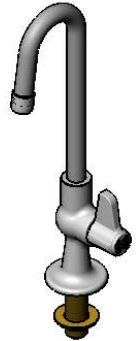
Customer/Wholesaler _____

Contractor _____

Architect/Engineer _____



5SP-03
3" equip Rigid Gooseneck
w/ Laminar Flow Device.



Rough-In Requirement:
Ø 1" [25mm] Mounting Hole

Model Number 5F-1SLX03	Date 06/05/12	Scale 1:4	Drawn DHL	Checked DMH	Approved JHB
---------------------------	------------------	--------------	--------------	----------------	-----------------

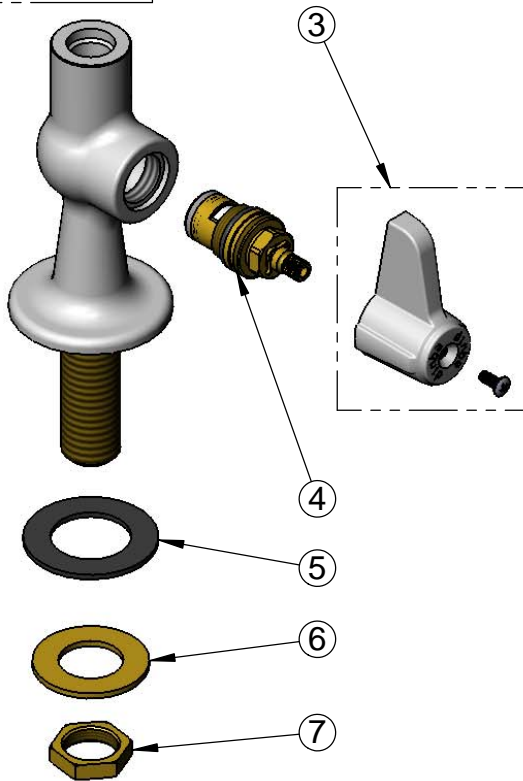
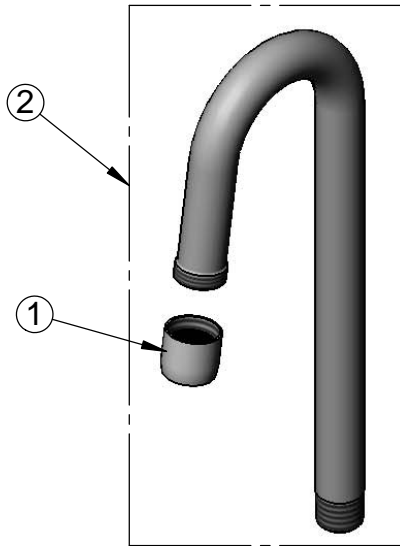


Product Specifications:

**Single Supply Deck Mount Faucet w/ Ceramic Cartridge,
equip Lever Handle, 3" equip Rigid Gooseneck
& 1/2" NPSM Male Inlet**

equip Foodservice Accessories
2 Saddleback Cove, P.O. Box 1088
Travelers Rest, South Carolina 29690
Phone: 800.891.4808 Fax: 800.868.0084

ITEM NO.	SALES NO.	DESCRIPTION
1	014250-45	Laminar Flow Device
2	5SP-03	3" equip Rigid Gooseneck
3	5-HDL-L	equip Lever Handle w/ Color Coded Screw
4	013787-45	equip Ceramic Cartridge, RTC
5	014612-45	Deck Seal
6	000999-45	Brass Lock Washer
7	002954-45	Shank Lock Nut



Model Number 5F-1SLX03	Date 06/05/12	Scale NTS	Drawn DHL	Checked DMH	Approved JHB
---------------------------	------------------	--------------	--------------	----------------	-----------------



Product Specifications:

Single Supply Deck Mount Faucet w/ Ceramic Cartridge,
equip Lever Handle, 3" equip Rigid Gooseneck
& 1/2" NPSM Male Inlet

equip Foodservice Accessories
2 Saddleback Cove, P.O. Box 1088
Travelers Rest, South Carolina 29690
Phone: 800.891.4808 Fax: 800.868.0084