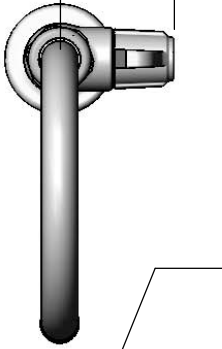


2 3/8"
[60mm]



ADA Compliant

This Space for Architect/Engineer Approval

Job Name _____ Date _____

Model Specified _____ Quantity _____

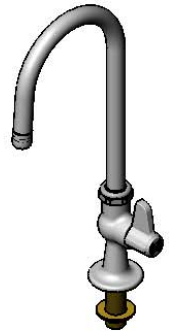
Customer/Wholesaler _____

Contractor _____

Architect/Engineer _____

5SP-05
5 1/2" equip Swivel Gooseneck
w/ Laminar Flow Device.
Rigid Conversion Requires
014200-45 Lock Washer
(Included)

Ceramic Cartridge &
equip Lever Handle w/
Color Coded Screw



14 13/16"
[376mm]

5 9/16"
[141mm]

9 9/16"
[242mm]

1 5/8"
[41mm]
Maximum
Thickness

Mounting Surface

2 7/16"
[62mm]

1/2" NPSM
Male Inlet

Ø 2 5/16"
[58mm]

Rough-In Requirement:
Ø 1" [25mm] Mounting Hole

Model Number 5F-1SLX05	Date 06/05/12	Scale 1:4	Drawn DHL	Checked DMH	Approved JHB
---------------------------	------------------	--------------	--------------	----------------	-----------------

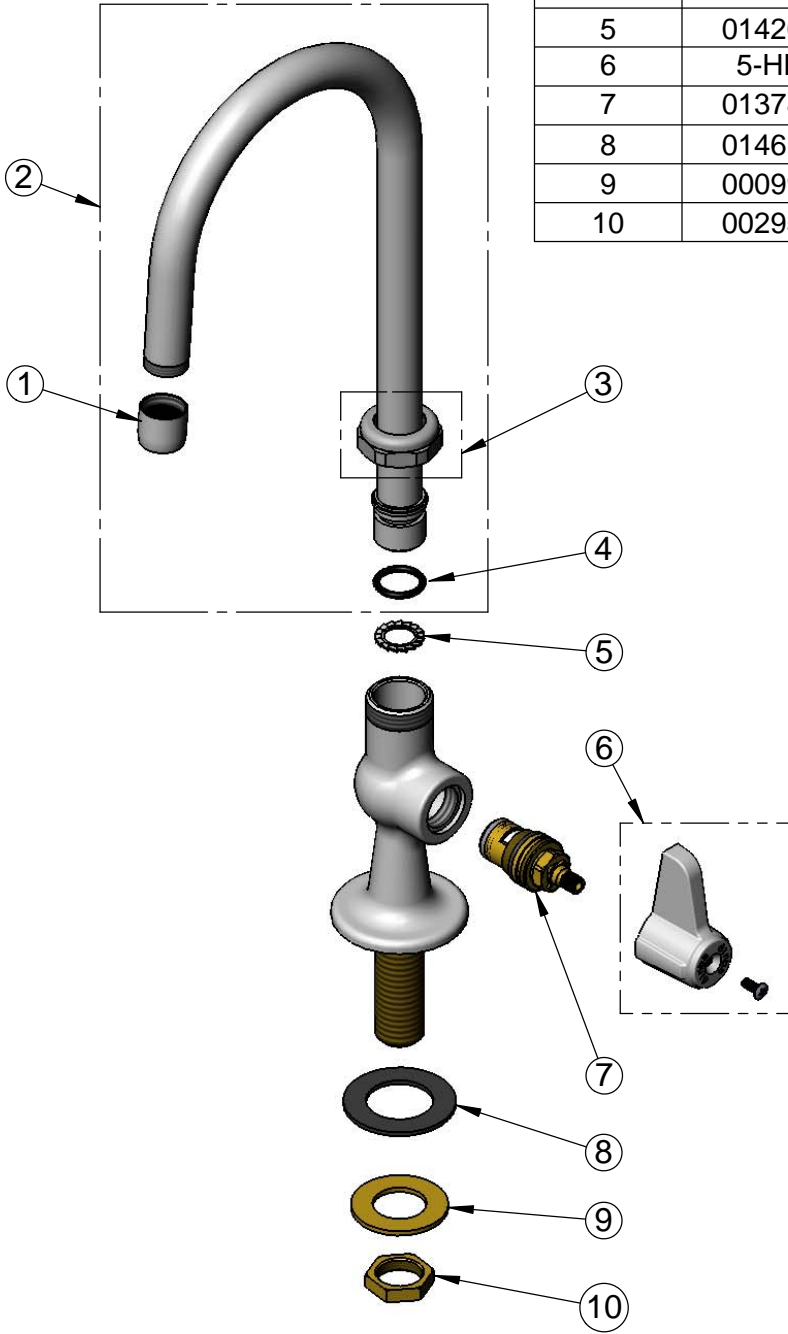


Product Specifications:

**Single Supply Deck Mount Faucet w/ Ceramic Cartridge,
equip Lever Handle, 5 1/2" equip Swivel Gooseneck
& 1/2" NPSM Male Inlet**

equip Foodservice Accessories
2 Saddleback Cove, P.O. Box 1088
Travelers Rest, South Carolina 29690
Phone: 800.891.4808 Fax: 800.868.0084

ITEM NO.	SALES NO.	DESCRIPTION
1	014250-45	Laminar Flow Device
2	5SP-05	5 1/2" equip Swivel Gooseneck
3	013839-25	equip Swivel Nut
4	013848-45	equip Swivel Piece O-ring
5	014200-45	Star Washer, Anti-Rotation
6	5-HDL-L	equip Lever Handle w/ Color Coded Screw
7	013787-45	equip Ceramic Cartridge, RTC
8	014612-45	Deck Seal
9	000999-45	Brass Lock Washer
10	002954-45	Shank Lock Nut



Model Number 5F-1SLX05	Date 06/05/12	Scale NTS	Drawn DHL	Checked DMH	Approved JHB
---------------------------	------------------	--------------	--------------	----------------	-----------------



Product Specifications:

**Single Supply Deck Mount Faucet w/ Ceramic Cartridge,
equip Lever Handle, 5 1/2" equip Swivel Gooseneck
& 1/2" NPSM Male Inlet**

equip Foodservice Accessories
2 Saddleback Cove, P.O. Box 1088
Travelers Rest, South Carolina 29690
Phone: 800.891.4808 Fax: 800.868.0084